

**坚朗 KIN LONG**

CONSTRUCTION HARDWARE EXPERT  
建筑五金专家

**锁具五金** 典型产品目录

**LOCK HARDWARE**

Typical Product Catalogue



# COMPANY

## PROFILE 公司介绍

UNIQUE VALUE CAN ONLY BE CREATED BY  
PROFESSIONALISM, SPECULATION HAS NO FUTURE

唯有专业才能创造独特价值  
投机没有未来



坚朗公司是从事建筑五金产品研究、制造和销售的专业公司，其业务是提供高品质的建筑五金产品和相关技术咨询。经过多年的发展，坚朗已成为建筑领域的著名品牌。

坚朗生产基地占地面积超过20万M<sup>2</sup>，厂房面积超过20万M<sup>2</sup>。公司员工总数超过5000人，技术管理人员数量超过500人。公司产品远销100多个国家和地区，在国内外设有多个销售服务机构。

“唯有专业才能创造独特价值，投机没有未来”，多年来，坚朗将这一理念坚定地灌输给上至企业高级主管，下至新入职的每位员工。坚朗依靠不断的改善和创新，已成为行业中的佼佼者。

坚朗除采用现代化的生产工艺外，还拥有众多专家、设计师从事产品开发与革新，以保证其产品始终保持国际领先水平。目前，坚朗已拥有产品万余种，国内专利300多项，国外专利50多项，是业内拥有产品最全、专利最多的企业。坚朗提供的产品以先进的设计理念、精美的外观、优良的品质为广大用户所称道。坚朗已为世界各地的许多著名建筑物提供了产品，无数座城市的标志建筑已成为坚朗人的骄傲与辉煌。

对于任何一个明智的、致力于建筑五金工程业务的企业及设计人员来讲，坚朗都将是负责的、可信赖的伙伴。

Kin Long Company has been an innovative and professional company engaged in research, development, manufacture, and marketing of fittings for architectural hardware. Kin Long supplies fittings of high quality and provides consulting services to the architectural industry. Through many years' development, Kin Long achieves a good reputation in construction industry.

Kin Long has a factory of 200,000sq.m. with a construction area of 200,000sq.m. The total number of employees exceeds 5000, including over 500 technical and managerial personnel. With a developing sales network both home and abroad, its products are distributed through China and exported to more than 100 countries and areas.

Unique value can only be created by professionalism, speculation has no future. This motto is practiced by Kin Long personnel at all levels. In the continuous quest for constant technology development, higher quality and better services, today Kin Long has become the prominent and largest supplier of fittings for architectural hardware industry.

Striving to become the leader to serve the architectural hardware industry in the world, Kin Long not only adopts advanced management and manufacturing method, but also invests heavily in design and innovation. Till now, Kin Long has more than 10,000 items of products and owns more than 300 patents in China and 50 patents overseas. The company has achieved acclaim in innovative design, elegant appearance, high quality products and unsurpassed services. Kin Long takes pride in supplying fittings to many famous landmarks in countless cities all over the world.

Kin Long is always your best and most reliable partner in supplying fittings for architectural hardware.

坚朗工业园  
KIN LONG INDUSTRIAL PARK

# KINLONG THE GATEWAY ARCH POWER XANADU BIG BOOM

坚朗建筑梦想 助力华夏大腾飞



# SOCIAL 社会责任 RESPONSIBILITY

UNIQUE VALUE CAN ONLY BE CREATED BY  
PROFESSIONALISM, SPECULATION HAS NO FUTURE

唯有专业才能创造独特价值  
投机没有未来



### 我们崇尚社会的责任

05年至今，在甘肃、湖南、云南、安徽、重庆、四川、贵州七省贫困山区，累计捐助十三所坚朗希望小学。

在浙江、上海、哈尔滨、重庆等地八所大学，设立坚朗助学基金。放飞莘莘学子渴求知识的梦想。

尽力所能及之力，影响身边每个人，助力华夏大腾飞！

### 捐建十三所希望小学：

- 甘肃临泽县倪家营乡坚朗希望小学
- 湖南安化县江南镇坚朗希望小学
- 云南省洱源县乔后镇坚朗希望小学
- 安徽省长丰县朱巷镇坚朗希望小学
- 重庆市城口县东安乡坚朗希望小学
- 四川省阿坝县麦尔玛坚朗希望学校
- 贵州关岭县花江镇坚朗希望小学
- 四川越西县保安藏族乡坚朗希望小学
- 江西省萍乡市湘东区广寒寨坚朗希望小学
- 青海省大通回族土族自治县石山乡坚朗希望小学
- 贵州省铜仁市万山区坚朗希望小学
- 河南省商水县位集镇洪桥坚朗希望小学
- 宁夏中卫市沙坡头区永康镇申滩坚朗希望小学



# 目录

## Contents>>

### 公建门锁产品系列 Door Locks Series For Public Construction

不锈钢豪华门锁 MHDS Stainless steel luxury lock-MHDS	001-008
不锈钢入户门锁 MLS Stainless steel entrance door lock-MLS	021-024
不锈钢分体门锁 MYS Stainless steel mortise handle lock-MYS	037-044
卫浴门锁 MYTW Bathroom lock-MYTW	101-106
推杠锁 FHS Panic exit device-FHS	113-116
管井锁 MG Casing well lock-MG	107
闭锁 MQ Artesia-MQ	109

### 商建门锁产品系列 Lock Series For Business Building Doors

不锈钢豪华门锁 MHDS Stainless steel luxury lock-MHDS	001-008
锌合金豪华门锁 MHDZ Zinc alloy luxury lock-MHDZ	011-012
铜材质豪华门锁 MHDB Brass drawing luxury lock-MHDB	013-014
酒店门锁 GYS Hotel locks-GYS	117-118
酒店锁配套产品 Kit products for hotel locks	125-128
智能柜锁 ZNGS Smart cabinet lock-ZNGS	124
不锈钢入户门锁 MLS Stainless steel entrance door lock-MLS	021-024
锌合金入户门锁 ML Zinc alloy entrance door lock-ML	027-033
铜材质入户门锁 MLB Brass drawing entrance door lock-MLB	034-036
不锈钢分体门锁 MYS Stainless steel fissile lock-MYS	037-044
锌合金分体门锁 MY Zinc alloy fissile lock-MY	045-052
铜材质分体门锁 MYB Brass drawing fissile lock-MYB	053-054
不锈钢房门锁 MMS.MRS Stainless steel room lock-MMS.MRS	057-065
锌合金房门锁 MM.MZ.ME.MU.MS Zinc alloy room lock-MM.MZ.ME.MU.MS	066-090
卫浴门锁 MYTW Bathroom lock-MYTW	101-106
管井锁 MG Casing well lock-MG	107
移门锁 Sliding door lock	108
闭锁 MQ Artesia-MQ	109

### 住宅门锁产品系列 Residential Door Lock Series

不锈钢豪华门锁 MHDS Stainless steel luxury lock-MHDS	001-008
--	---------

锌合金豪华门锁 MHDZ Zinc alloy luxury lock-MHDZ	011-012
铜材质豪华门锁 MHDB Brass drawing luxury lock-MHDB	013-014
不锈钢防盗防火门锁 FDS MLS Stainless steel anti-theft, fire proof door lock FDS MLS	015-020
不锈钢入户门锁 MLS Stainless steel entrance door lock-MLS	021-024
不锈钢型材门锁 MLS Stainless steel Profile door lock-MLS	025-026
锌合金入户门锁 ML Zinc alloy entrance door lock-ML	027-033
铜材质入户门锁 MLB Brass drawing entrance lock-MLB	034-036
不锈钢分体门锁 MYS Stainless steel fissile lock-MYS	037-044
锌合金分体门锁 MY Zinc alloy fissile lock-MY	045-052
铜材质分体门锁 MYB Brass drawing fissile lock-MYB	053-054
铝合金分体门锁 MYA Zinc alloy fissile lock MYA	055-056
精装配套门锁 Hardcover matching locks	111-112
管井锁 MG Casing well lock-MG	107
移门锁 Sliding door lock	108
闭锁 MQ Artesia-MQ	109

### 五金配件 Hardware Fitting

五金配件 Hardware fitting	129-146
--------------------------	---------

### 锁具知识园地 Lock Knowledge Field

门锁型号说明 Lock type description	147-148
表面处理 Surface treatment	147-148
钥匙管理系统知识 Key management system knowledge	149-150
开门示意图 Opening demonstration illustration	151
酒店锁配件表 Hotel lock accessories form	151
合页安装示意及承重 Hinge installation illustration and bearing	152

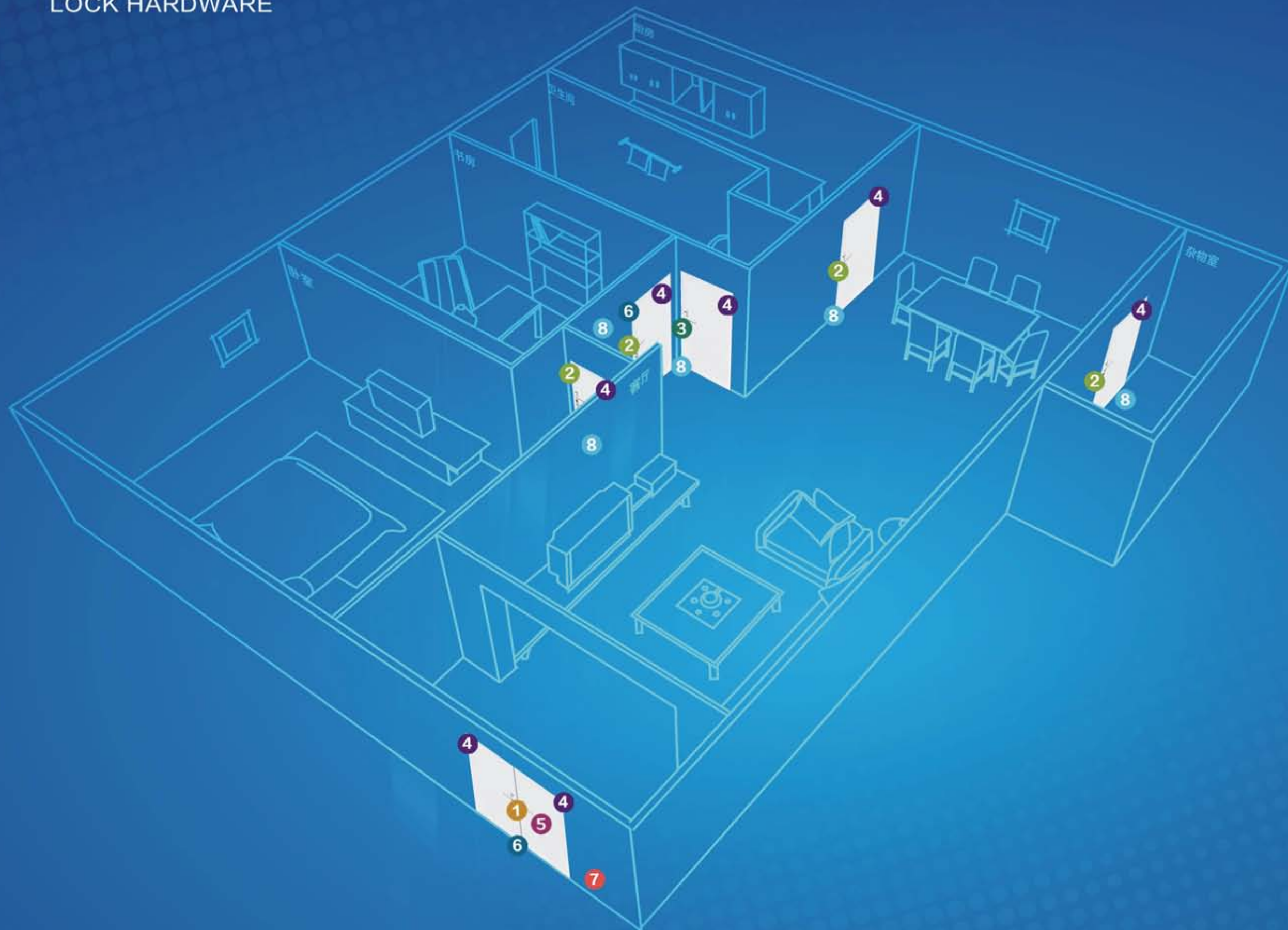
### 权威证书 Authority Certification

权威证书 Authority certification	153-154
---------------------------------	---------

### 部分典型工程案例 Some Typical Case

部分典型工程案例 Some typical case	155-158
-------------------------------	---------

# 锁具五金 LOCK HARDWARE



**1** 豪华门锁、入户门锁  
Luxury lock、Entrance lock  
001-036P

**2** 房门锁、分体锁  
Room lock、FissileLock  
038-100P

**3** 卫浴门锁  
Bathroom Lock  
101-106P

**4** 合页  
Hinge  
133-138P

**5** 门镜  
Peephole  
143P

**6** 插销  
Latch  
131-132P

**7** 门顶  
Doorholder  
146P

**8** 门吸  
Door Stopper  
139-142P

# 豪华门锁 LUXURY LOCK

坚朗不锈钢豪华门锁均是由优质SUS304不锈钢冲压制作而成，外观端庄大方，面板坚硬厚实，力学性能好；表面质量高，耐腐蚀能力强，永不磨损变色，始终光洁如一。

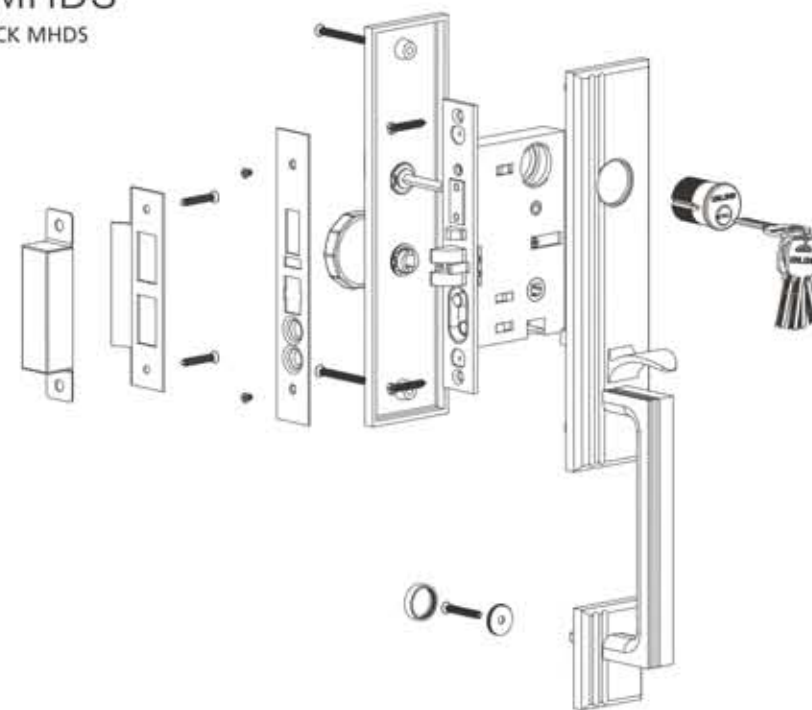
门锁依据ISO9001质量标准，以人工美学为设计理念，在生产、销售、服务全过程中均受ISO9001质量监控，产品主要参数均达到甚至超过本行业最高标准版本。产品表面可以根据客户提供的要求进行订做，使得产品被广泛的应用于公共建筑设施、商建、住宅等各种场合。

Kinlong's Stainless steel luxury locks are all stamped out with good quality of S.S304. Dignified and generous from outlook, hard and thick panel, they also equipped with good mechanical property. The locks are of good surface finish, which provide it with good ability of anti-corrosion, never fade of wearing, and keeps bright and clear all along. The door locks are based on the ISO90001 quality standard, and designed with the concept of Artificial Aesthetics. In the whole procedure of produce, sales and customer service, they all strictly monitored by ISO90001. As the result, the main parameters all reached or even exceed the highest edition of quality standard. As to the surface finish, we can make according to customers' requirements, which will make it be widely used in public constructions, business buildings, apartments and so on.



## 不锈钢豪华门锁 MHDS

STAINLESS STEEL LUXURY LOCK MHDS



### 使用说明 Instruction

该锁平时起一般通道作用，室内转动大旋钮或室外按动按钮即可开门。当按下锁体面板上的保险柱时，斜舌处于保险状态，关门后，室外按钮不能开门，必须用钥匙才能打开，当在室内用小旋钮或室外用钥匙打出方舌后，锁体面板上的保险柱会自动回归到斜舌的保险状态。（开门后，可以任意的调节锁体面板上的保险柱对室外按钮加保险或去除保险装置）

Usually for handle without being locked. Open door by rotating button. There is emergency escape function that the door can be opened quickly by controlling the inside to make the latch bolt and square tongue retracted at the same time. For key available when press down safty colum.

### 产品出厂标准配置

Product factory standard configuration



执手面板  
Handle and Panel



ST8765



5+2+1工程钥匙  
Project key 5+2+1



HDS



★ MHDS0304C

材质: 304不锈钢;  
标配: ST8765锁体, HDS锁芯, 5+2+1工程钥匙;  
适用: 门厚38mm以上的入户门、双开门;  
表面处理: 钢拉丝 (GLS) ■、青古铜 (QGT) ■、金色PVD(PVD) ■、间色(JS)

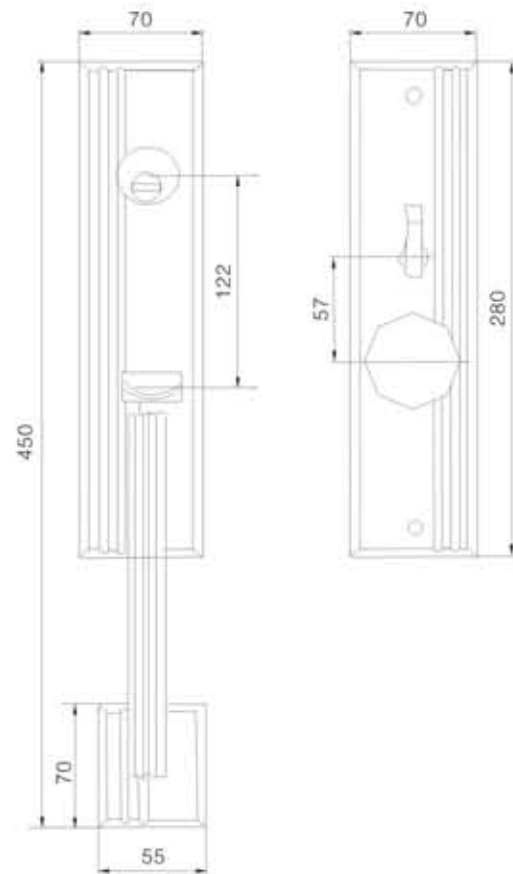
★ MHDS0304C

Material: stainless steel 304  
Lock Body: ST8765, cylinder HDS, project key 5+2+1;  
Application: ≥38mm thick entrance door, double sash door;  
Surface Finish: GLS/Steel drawings ■, QGT ■, PVD/Golden ■, JS

★ 防火门锁 Fireproof Lock



金色PVD(PVD)

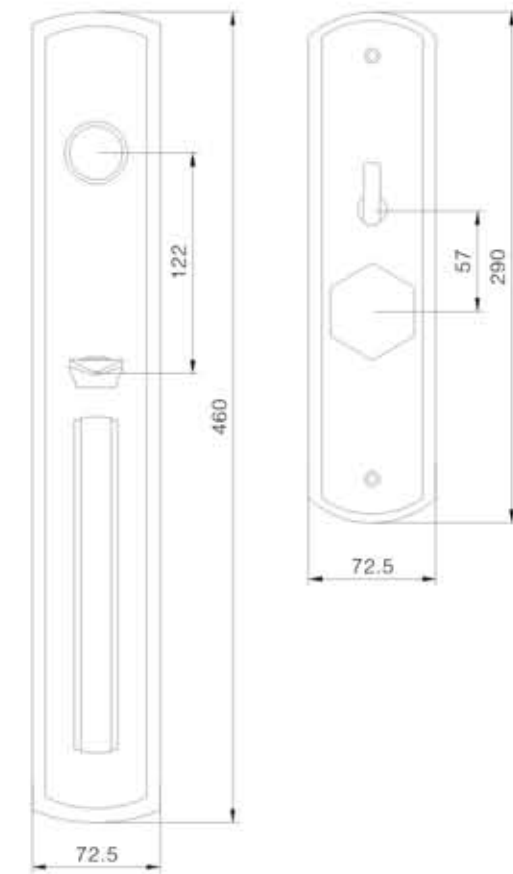


MHDS0377C单

材质: 304不锈钢;  
标配: ST8765锁体, HDS锁芯, 5+2+1工程钥匙;  
适用: 门厚38mm以上的入户门、双开门;  
表面处理: 钢拉丝 (GLS) ■、青古铜 (QGT) ■、金色PVD(PVD) ■

MHDS0377C Single

Material: stainless steel 304  
Lock Body: ST8765, cylinder HDS, project key 5+2+1;  
Application: ≥38mm thick entrance door, double sash door;  
Surface Finish: GLS/Steel drawings ■, QGT ■, PVD/Golden ■



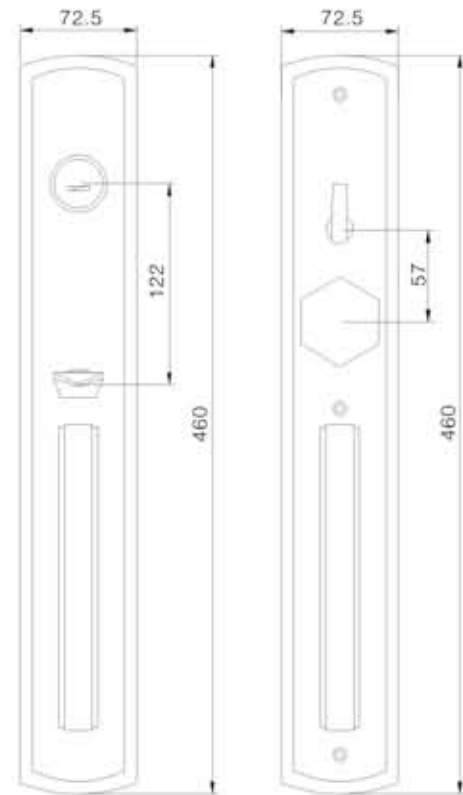


### MHDS0377C双

材质: 304不锈钢;  
标配: ST8765锁体, HDS锁芯, 5+2+1工程钥匙;  
适用: 门厚38mm以上的入户门、双开门;  
表面处理: 钢拉丝 (GLS) ■、青古铜 (QGT) ■、金色PVD(PVD) ■

### MHDS0377C Double

Material: Stainless steel 304  
Lock Body: ST8765, cylinder HDS, project key 5+2+1;  
Application:  $\geq 38$ mm thick entrance door, double sash door;  
Surface Finish: GLS ■, QGT ■, PVD/ Golden ■

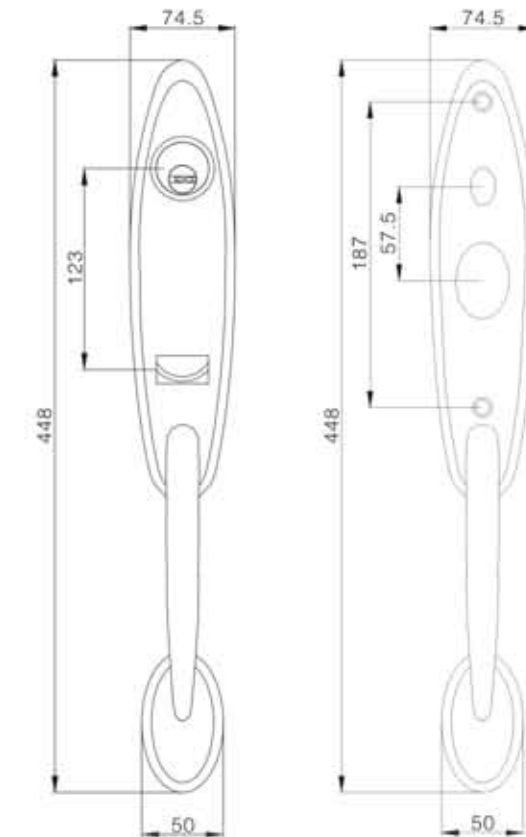


### MHDS0378C

材质: 304不锈钢;  
标配: ST8765锁体, HDS锁芯, 5+2+1工程钥匙;  
适用: 门厚38mm以上的入户门、双开门;  
表面处理: 钢拉丝 (GLS) ■、青古铜 (QGT) ■、金色PVD(PVD) ■

### MHDS0378C

Material: Stainless steel 304  
Lock Body: ST8765, cylinder HDS, project key 5+2+1;  
Application:  $\geq 38$ mm thick entrance door, double sash door;  
Surface Finish: GLS ■, QGT ■, PVD/ Golden ■



青古铜 (QGT)

金色PVD(PVD)

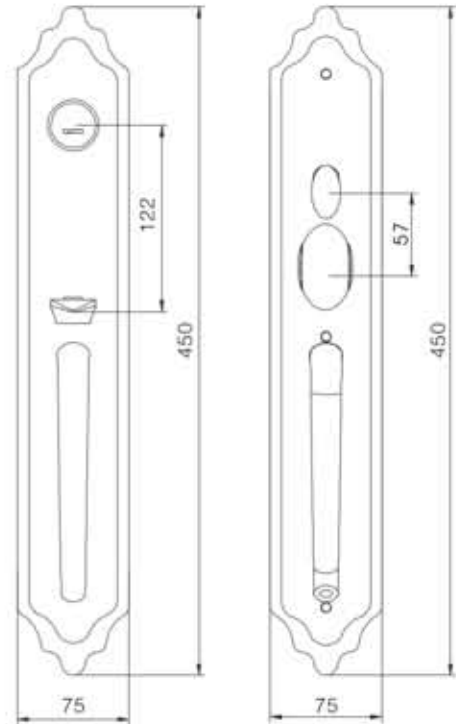


### MHDS105078C双

材质: 304不锈钢;  
标配: ST8765锁体, HDS锁芯, 5+2+1工程钥匙;  
适用: 门厚38mm以上的入户门, 双开门;  
表面处理: 钢拉丝 (GLS) ■, 青古铜 (QGT) ■, 金色PVD(PVD) ■

### MHDS105078C Double

Material: Stainless steel 304  
Lock Body: ST8765, cylinder HDS, project key 5+2+1;  
Application:  $\geq 38$ mm thick entrance door, double sash door;  
Surface Finish: GLS ■, QGT ■, PVD/ Golden ■

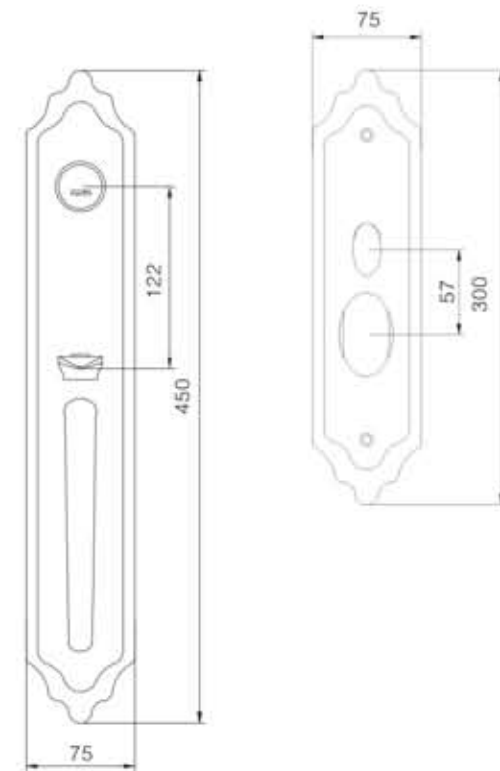


### MHDS105078C单

材质: 304不锈钢;  
标配: ST8765锁体, HDS锁芯, 5+2+1工程钥匙;  
适用: 门厚38mm以上的入户门, 双开门;  
表面处理: 钢拉丝 (GLS) ■, 青古铜 (QGT) ■, 金色PVD(PVD) ■

### MHDS105078C Single

Material: Stainless steel 304  
Lock Body: ST8765, cylinder HDS, project key 5+2+1;  
Application:  $\geq 38$ mm thick entrance door, double sash door;  
Surface Finish: GLS ■, QGT ■, PVD/ Golden ■



一定会有一天，  
有建筑的地方就有坚朗产品

WHERE  
THERE IS  
BUILDING, THERE  
IS KINLONG PRODUCT.

## 豪华门锁 LUXURY LOCK

坚朗锌合金豪华门锁是选用高质量的锌合金一次压铸成型，内部组织细密，机械性能好，外观典雅，手感舒适；表面采用先进的电镀处理工艺处理，耐磨永不褪色。锌合金豪华门锁依据ISO9001质量标准，在生产、销售、服务全过程中均受ISO9001质量监控，所有产品参数都符合插芯锁标准QBT2474-2000，最大限度的满足于公共建筑设施、商建、住宅等多方位建筑要求。

Kinlong's Zinc alloy luxury locks are Disposable Die-castes with high quality Zinc alloy. The lock has meticulous internal organization, good mechanical property, elegant outlook and cozy touch. Using the advanced electroplating process with its surface treatment, makes it wearable and never fades. The Zinc alloy luxury locks are based on the ISO90001 quality standard. In the whole procedure of produce, sales and customer service, they all strictly monitored by ISO90001 and all the parameters meet QBT2474-2000, which meets multi-requirements of public constructions, business buildings, and apartments in maximum degree.

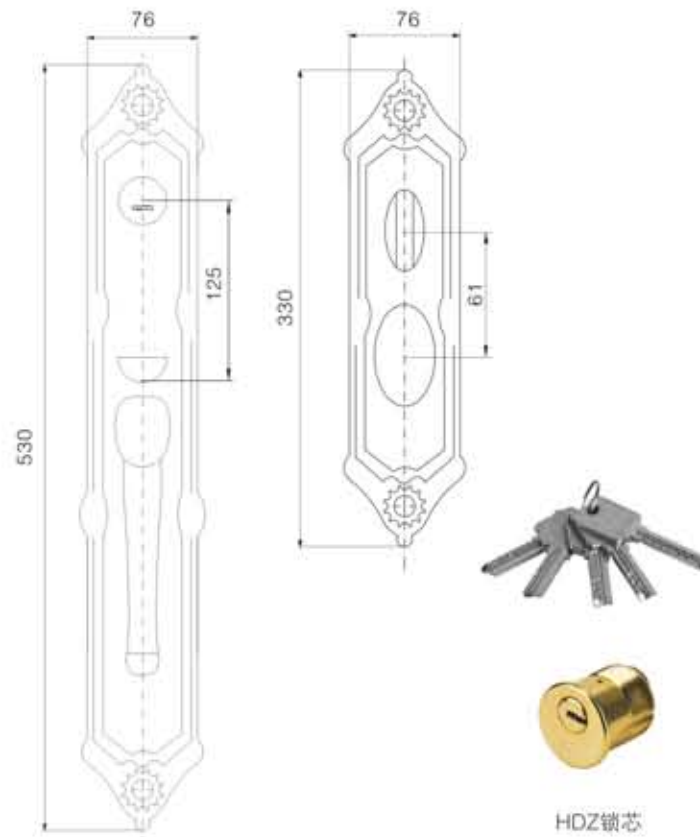


### MHDZ0101

材质: 锌合金;  
标配: ST9470锁体, HDZ锁芯;  
适用: 门厚38mm以上的入户门、双开门;  
表面处理: K金 (KJ) ■, 青古铜 (QGT) ■

### MHDZ0101

Material: Zinc alloy  
Lock Body: lock body ST9470, cylinder HDZ  
Application:  $\geq 38$ mm thick entrance door, double sash door  
Surface Finish: KJ ■, QGT ■

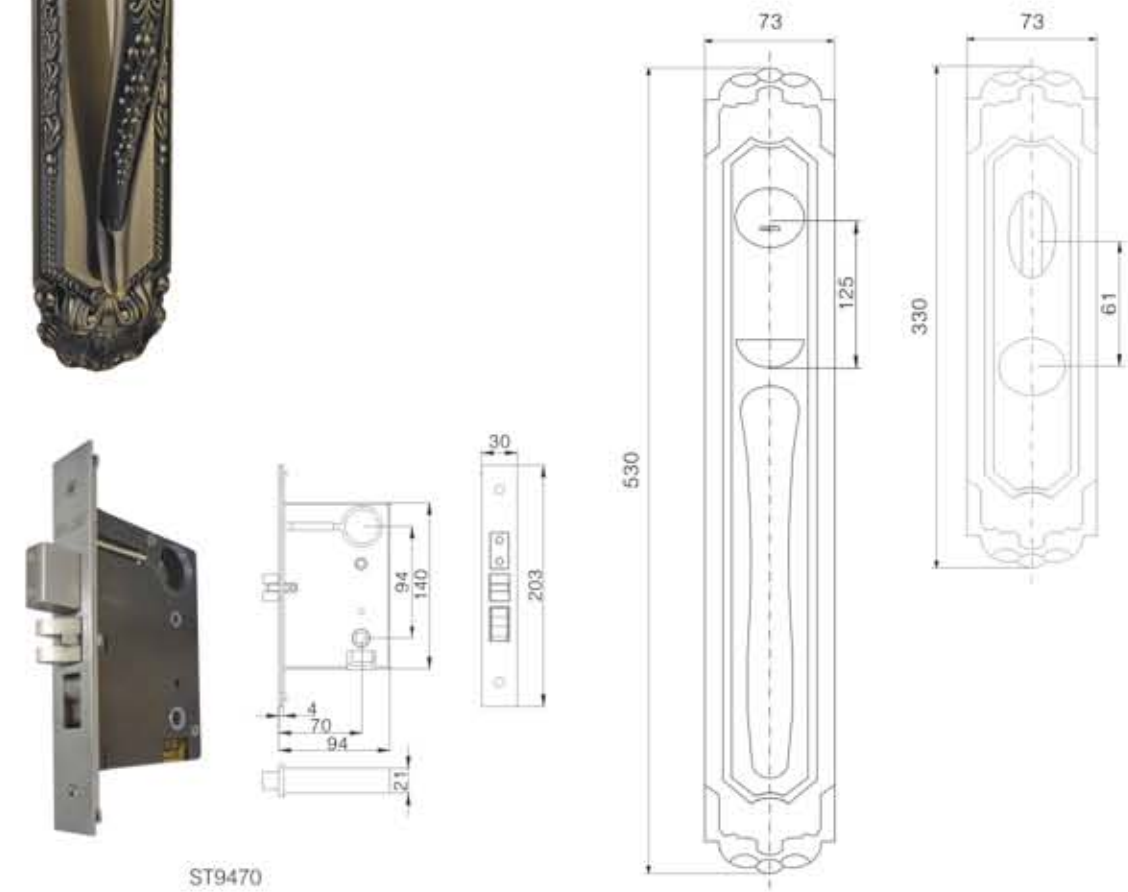


### MHDZ0202

材质: 锌合金;  
标配: ST9470锁体, HDZ锁芯;  
适用: 门厚38mm以上的入户门、双开门;  
表面处理: K金 (KJ) ■, 青古铜 (QGT) ■

### MHDZ0202

Material: Zinc alloy  
Lock Body: lock body ST9470, cylinder HDZ  
Application:  $\geq 38$ mm thick entrance door, double sash door  
Surface Finish: KJ ■, QGT ■



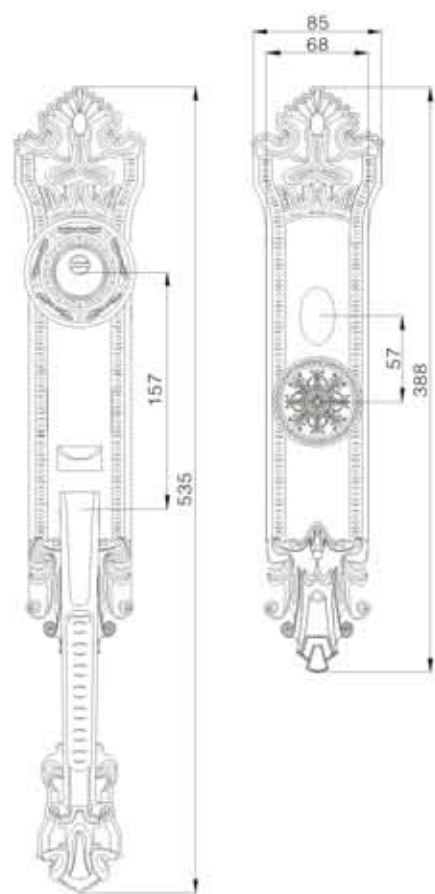


### MHDB123078

材质: 纯铜;  
标配: ST8764锁体, HDB锁芯;  
适用: 门厚38mm以上的入户门、双开门;  
表面处理: 金色 (DOLD) ■, 青古铜 (QGT) ■

### MHDB123078

Material: Brass  
Lock Body: lock body ST8764, cylinder HDB;  
Application:  $\geq 38$ mm thick entrance door, double sash door;  
Surface Finish: GOLD ■, QGT ■



HDB锁芯



### MHDB101078

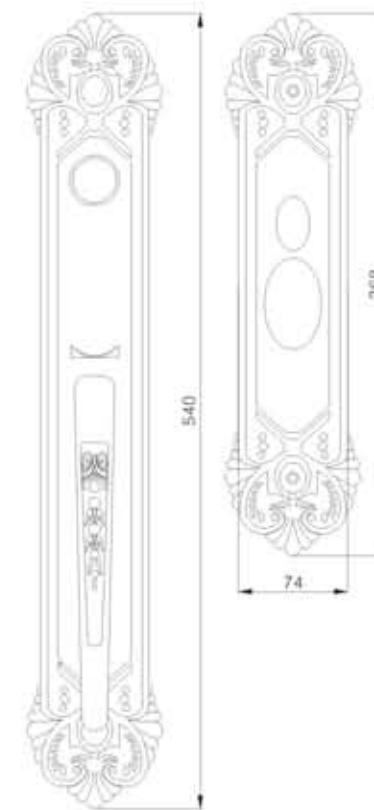
材质: 纯铜;  
标配: ST8764锁体, HDB锁芯;  
适用: 门厚38mm以上的入户门、双开门;  
表面处理: 金色 (DOLD) ■, 青古铜 (QGT) ■

### MHDB101078

Material: Brass  
Lock Body: lock body ST8764, cylinder HDB;  
Application:  $\geq 38$ mm thick entrance door, double sash door;  
Surface Finish: GOLD ■, QGT ■



ST8764



# 不锈钢防盗防火门锁

## STAINLESS STEEL ANTI-THEFT FIRE PROOF DOOR LOCK

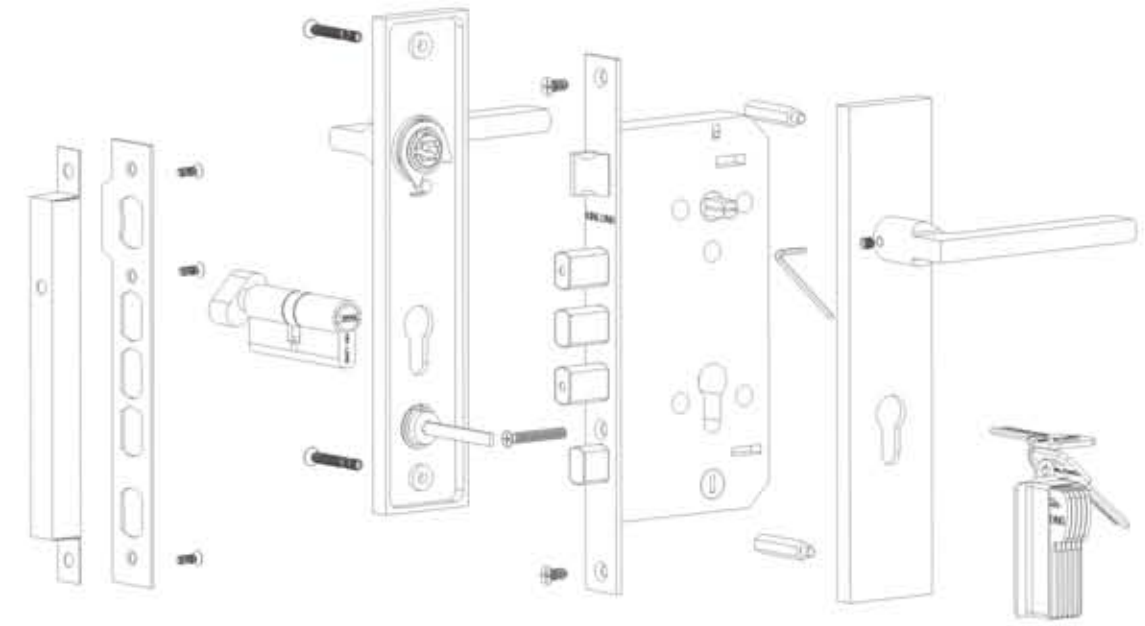
空朗不锈钢防盗防火门锁均是由优质SUS304不锈钢冲压制作而成，外观时尚美观，面板坚硬厚实，机械性能好，配置多锁点多功能锁体，方舌加防锯钢针，防钻、防锯、防撬、防冲击；表面质量高，耐腐蚀能力强，永不磨损变色，始终光洁如一。不锈钢防盗防火门锁符合欧洲质量标准EN 12209-2004，完全按照中国防火门最高标准GB12955-2008的设计要求制作，通过国家防火建筑材料质量监督检验中心的甲级防火检测和公安部机械防盗锁最高标准GA/T73-1994 B级防盗检测，被广泛的使用于高防盗要求的各种场合。

Kinlong's stainless steel anti-theft, fire proof door locks are all stamped out with good quality of S-304. Dignified and generous from outlook, hard and thick panel, they also equipped with good mechanical property. The multi-function lock main body has multi-points. Its square tongue equips with anti-saws steel pin, which makes it anti-drill, anti-saw, temper and anti-strike. The locks are of good surface finish, which provide it with good ability of anti-corrosion, never fade of wearing, and keeps bright and clear all along. Stainless steel anti-theft, fire proof door lock meets Europe EN 12209-2004 quality standard, and it is designed and produced strictly according to Chinese highest fire proof standard GB12955-2008. It has passed the Class A fire detection of National Fire Protection Building Materials Quality Supervision and Inspection Center and GA/T73-1994 B- the highest standard for Mechanical anti-theft lock from Ministry of public security department, Which makes it is widely used all accessions that have high requirements of fire proof.



# 不锈钢防盗防火锁 FDS MLS

## STAINLESS STEEL ANTI-THEFT FIRE PROOF LOCK FDS MLS



### 使用说明 Instruction

该锁平时起一般通道作用，转动内外执手即可开门，出入方便。当在室外用钥匙上锁后，方舌弹出23mm以上，必须通过室内的锁芯旋钮开门；如转动室内的锁芯旋钮上锁后，室外同样要用钥匙开门。并且室内单独设计的保险栓不能通过钥匙和室内的锁芯旋钮开门，起门内锁死功能。

Usually used for access lock, can be open/closed by handle inside and outside. Locked by key outside, dead bolt stretches more than 23mm, it must be opened by the knob inside. Locked by rotating knob inside, it must be opened by key outside. The unique designed inside safety bolt locks the door definitely which can not be opened by neither key or by knob inside.

### 产品出厂标准配置

Product factory standard configuration



执手面板  
Handle and Panel



ST8560防盗防火锁体  
ST8560 lock body with anti-theft  
and anti-fire function



5+2+1工程钥匙  
Project key 5+2+1

## 不锈钢防盗防火锁 FDS MLS

STAINLESS STEEL ANTI-THEFT  
FIRE PROOF LOCK FDS MLS

金明 KINLONG Construction  
HARDWARE EXPERT



### FDS MLS0101C

材质: 304不锈钢;  
标配: ST8560防盗防火锁体,5+2+1工程钥匙;  
适用: 门厚35mm以上的入户门、双开门;  
表面处理: 钢拉丝 (GLS) ■、青古铜 (QGT) ■、金色PVD(PVD) ■

### FDS MLS0101C

Material: Stainless steel 304  
Lock Body: ST8560 lock body with anti-theft and anti-fire function, project key 5+2+1;  
Application:  $\geq 35$ mm thick entrance door, double sash door;  
Surface Finish: GLS ■, QGT ■, PVD/ Golden ■



### FDS MLS0332C

材质: 304不锈钢;  
标配: ST8560防盗防火锁体,5+2+1工程钥匙;  
适用: 门厚35mm以上的入户门、双开门;  
表面处理: 钢拉丝 (GLS) ■、青古铜 (QGT) ■、金色PVD(PVD) ■

### FDS MLS0332C

Material: Stainless steel 304  
Lock Body: ST8560 lock body with anti-theft and anti-fire function, project key 5+2+1;  
Application:  $\geq 35$ mm thick entrance door, double sash door;  
Surface Finish: GLS ■, QGT ■, PVD/ Golden ■



### FDS MLS01119C

材质: 304不锈钢;  
标配: ST8560防盗防火锁体,5+2+1工程钥匙;  
适用: 门厚35mm以上的入户门、双开门;  
表面处理: 钢拉丝 (GLS) ■、青古铜 (QGT) ■、金色PVD(PVD) ■

### FDS MLS01119C

Material: Stainless steel 304  
Lock Body: ST8560 lock body with anti-theft and anti-fire function, project key 5+2+1;  
Application:  $\geq 35$ mm thick entrance door, double sash door;  
Surface Finish: GLS ■, QGT ■, PVD/ Golden ■



### FDS MLS03144C

材质: 304不锈钢;  
标配: ST8560防盗防火锁体,5+2+1工程钥匙;  
适用: 门厚35mm以上的入户门、双开门;  
表面处理: 钢拉丝 (GLS) ■、青古铜 (QGT) ■、金色PVD(PVD) ■

### FDS MLS03144C

Material: Stainless steel 304  
Lock Body: ST8560 lock body with anti-theft and anti-fire function, project key 5+2+1;  
Application:  $\geq 35$ mm thick entrance door, double sash door;  
Surface Finish: GLS ■, QGT ■, PVD/ Golden ■

## 不锈钢防盗防火锁 FDS MLS

STAINLESS STEEL ANTI-THEFT  
FIRE PROOF LOCK FDS MLS



### FDS MLS105144C

材质: 304不锈钢;  
标配: ST8560防盗防火锁体,5+2+1工程钥匙;  
适用: 门厚35mm以上的入户门、双开门;  
表面处理: 钢拉丝 (GLS) ■、青古铜 (QGT) ■、金色PVD(PVD) ■

### FDS MLS105144C

Material: Stainless steel 304  
Lock Body: ST8560 lock body with anti-theft and anti-fire function, project key 5+2+1;  
Application:  $\geq 35$ mm thick entrance door, double sash door;  
Surface Finish: GLS ■, QGT ■, PVD/ Golden ■



### FDS MLS105119C

材质: 304不锈钢;  
标配: ST8560防盗防火锁体,5+2+1工程钥匙;  
适用: 门厚35mm以上的入户门、双开门;  
表面处理: 钢拉丝 (GLS) ■、青古铜 (QGT) ■、金色PVD(PVD) ■

### FDS MLS105119C

Material: Stainless steel 304  
Lock Body: ST8560 lock body with anti-theft and anti-fire function, project key 5+2+1;  
Application:  $\geq 35$ mm thick entrance door, double sash door;  
Surface Finish: GLS ■, QGT ■, PVD/ Golden ■



### FDS MLS0203C

材质: 304不锈钢;  
标配: ST8560防盗防火锁体,5+2+1工程钥匙;  
适用: 门厚35mm以上的入户门、双开门;  
表面处理: 钢拉丝 (GLS) ■、青古铜 (QGT) ■、金色PVD(PVD) ■

### FDS MLS0203C

Material: Stainless steel 304  
Lock Body: ST8560 lock body with anti-theft and anti-fire function, project key 5+2+1;  
Application:  $\geq 35$ mm thick entrance door, double sash door;  
Surface Finish: GLS ■, QGT ■, PVD/ Golden ■



### FDS MLS0207C

材质: 304不锈钢;  
标配: ST8560防盗防火锁体,5+2+1工程钥匙;  
适用: 门厚35mm以上的入户门、双开门;  
表面处理: 钢拉丝 (GLS) ■、青古铜 (QGT) ■、金色PVD(PVD) ■

### FDS MLS0207C

Material: Stainless steel 304  
Lock Body: ST8560 lock body with anti-theft and anti-fire function, project key 5+2+1;  
Application:  $\geq 35$ mm thick entrance door, double sash door;  
Surface Finish: GLS ■, QGT ■, PVD/ Golden ■

# 不锈钢入户门锁

## STAINLESS STEEL ENTRANCE DOOR LOCK

坚朗不锈钢入户门锁均是由优质SUS304不锈钢冲压制作而成，外型典雅、美观别致，面板坚硬厚实，力学性能好；表面使用先进的表面处理工艺制作成不同的颜色，耐腐蚀磨永不褪色。

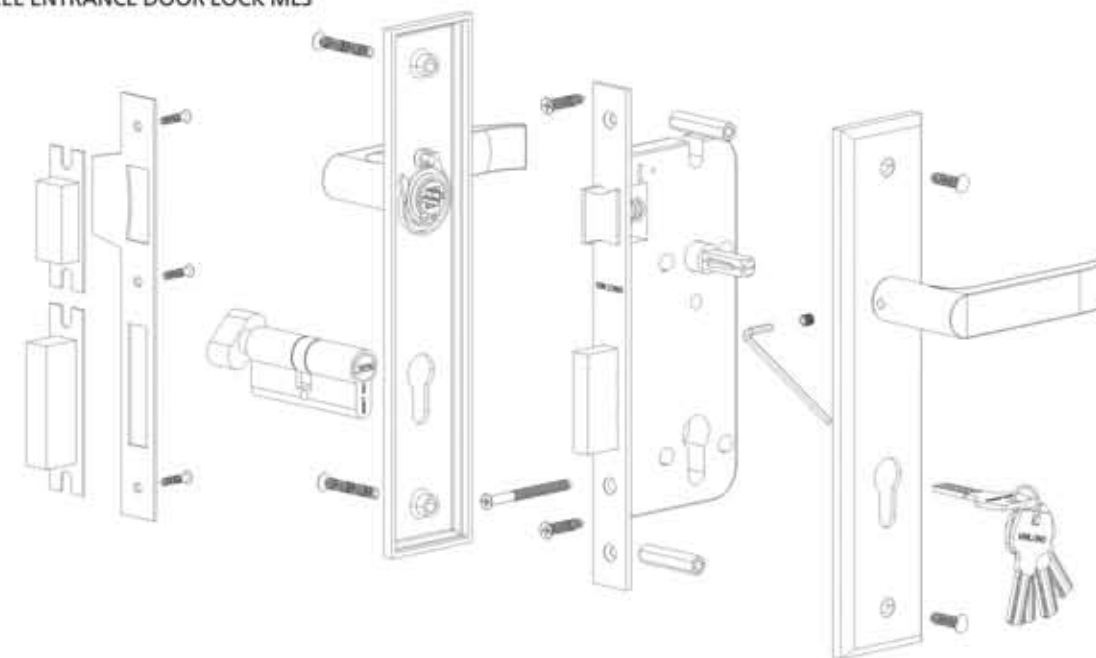
不锈钢入户门锁依据ISO9001质量标准，在生产、销售、服务全过程中均受ISO9001质量监控，产品符合中国防火门最高标准GB12955-2008的设计要求，通过国家防火建筑材料质量监督检验中心的甲级防火检测，可用于甲级防火要求的防火门上，广泛的应用于公共建筑设施、商建、住宅等各种场合。

Kinlong's Stainless steel entrance door locks are all stamped out with good quality of S.S304. Dignified and generous from outlook, hard and thick panel, they also equipped with good mechanical property. The locks are of good surface finish, which provide it with good ability of anti-corrosion, never fade of wearing, and keeps bright and clear all along. The door locks are based on the ISO9001 quality standard, and designed with the concept of Artificial Aesthetics. In the whole procedure of produce, sales and customer service, they all strictly monitored by ISO9001. The products meet GB12955-2008 - the highest edition of quality standard. It has passed the Class A fire detection of National Fire Protection Building Materials Quality Supervision and Inspection Center, can be used on fire proof doors which have A class fire proof requirements. It is widely used in public constructions, business buildings, apartments and so on.



### 不锈钢入户门锁 MLS

#### STAINLESS STEEL ENTRANCE DOOR LOCK MLS



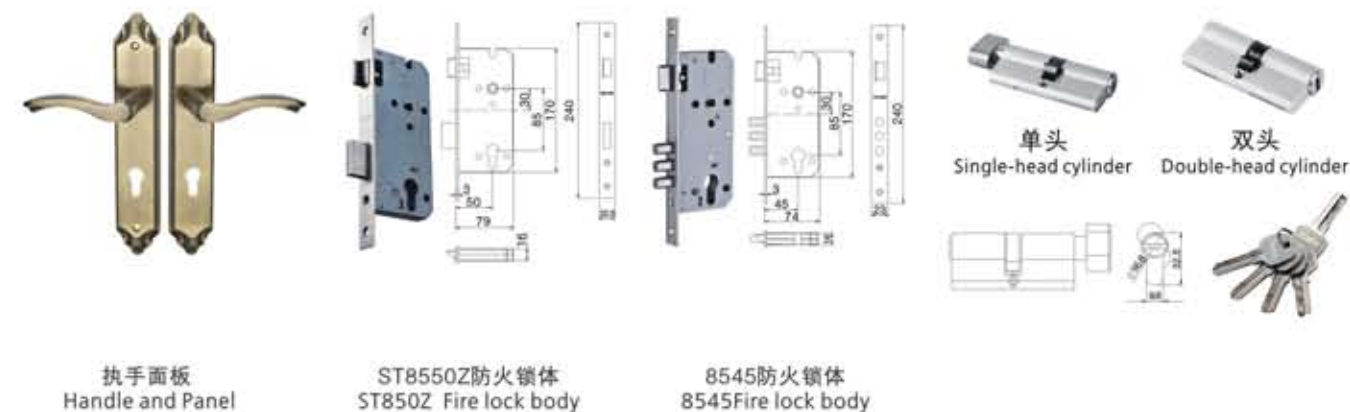
#### 使用说明 Instruction

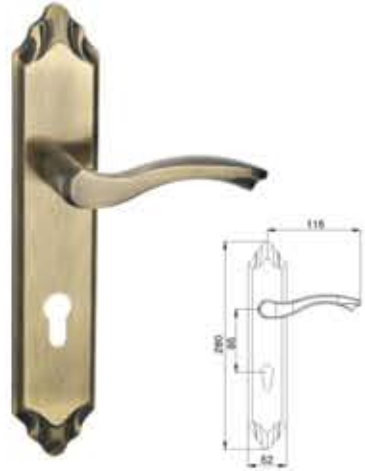
该锁平时不上锁，里外转动执手可轻松开门，起一般通道锁作用，方便出入。当在室外用钥匙上锁，锁舌可伸出两档达20mm以上，安全保险。此时，转动执手不能开门，必须用钥匙或在室内转动旋钮才能开门；在室内转动旋钮或用钥匙同样上锁后，转动执手不能开门，同样需要用钥匙或在室内转动旋钮开门。

Usually the lock is used as passage lock for convenience which can be open/closed by handle. Closed with key outside, lock tongue will stretch more than 20mm by two-turns. It can only be opened by key outside or by rotating the button inside. The same if close with key or by rotating button inside.

#### 产品出厂标准配置

##### Product factory standard configuration





### MLS105119C

材质: 304不锈钢;  
标配: ST8550Z防火锁体 (可选配8545防盗防火锁体), 标准葫芦锁芯;  
适用: 门厚35mm以上的入户门、双开门、通道门;  
表面处理: 钢拉丝 (GLS) ■、青古铜 (QGT) ■、金色PVD(PVD) ■

### MLS105119C

Material: Stainless steel 304  
Lock Body: ST8550Z lock body with anti-theft and anti-fire function (8545 lock body with anti-theft and anti-fire function is also available), standard gourd-size cylinder;  
Application:  $\geq 35$ mm thick entrance door, double sash door and passage door;  
Surface Finish: GLS ■, QGT ■, PVD/ Golden ■



### MLS0203C

材质: 304不锈钢;  
标配: ST8550Z防火锁体 (可选配8545防盗防火锁体), 标准葫芦锁芯;  
适用: 门厚35mm以上的入户门、双开门、通道门;  
表面处理: 钢拉丝 (GLS) ■、青古铜 (QGT) ■、金色PVD(PVD) ■

### MLS0203C

Material: Stainless steel 304  
Lock Body: ST8550Z lock body with anti-theft and anti-fire function (8545 lock body with anti-theft and anti-fire function is also available), standard gourd-size cylinder;  
Application:  $\geq 35$ mm thick entrance door, double sash door and passage door;  
Surface Finish: GLS ■, QGT ■, PVD/ Golden ■



### MLS0101C

材质: 304不锈钢;  
标配: ST8550Z防火锁体 (可选配8545防盗防火锁体), 标准葫芦锁芯;  
适用: 门厚35mm以上的入户门、双开门、通道门;  
表面处理: 钢拉丝 (GLS) ■、青古铜 (QGT) ■、金色PVD(PVD) ■

### MLS0101C

Material: Stainless steel 304  
Lock Body: ST8550Z lock body with anti-theft and anti-fire function (8545 lock body with anti-theft and anti-fire function is also available), standard gourd-size cylinder;  
Application:  $\geq 35$ mm thick entrance door, double sash door and passage door;  
Surface Finish: GLS ■, QGT ■, PVD/ Golden ■



### MLS0207C

材质: 304不锈钢;  
标配: ST8550Z防火锁体 (可选配8545防盗防火锁体), 标准葫芦锁芯;  
适用: 门厚35mm以上的入户门、双开门、通道门;  
表面处理: 钢拉丝 (GLS) ■、青古铜 (QGT) ■、金色PVD(PVD) ■

### MLS0207C

Material: Stainless steel 304  
Lock Body: ST8550Z lock body with anti-theft and anti-fire function (8545 lock body with anti-theft and anti-fire function is also available), standard gourd-size cylinder;  
Application:  $\geq 35$ mm thick entrance door, double sash door and passage door;  
Surface Finish: GLS ■, QGT ■, PVD/ Golden ■



### MLS0407C

材质: 304不锈钢;  
标配: ST8550Z防火锁体 (可选配8545防盗防火锁体), 标准葫芦锁芯;  
适用: 门厚35mm以上的入户门、双开门、通道门;  
表面处理: 钢拉丝 (GLS) ■、青古铜 (QGT) ■、金色PVD(PVD) ■

### MLS0407C

Material: Stainless steel 304  
Lock Body: ST8550Z lock body with anti-theft and anti-fire function (8545 lock body with anti-theft and anti-fire function is also available), standard gourd-size cylinder;  
Application:  $\geq 35$ mm thick entrance door, double sash door and passage door;  
Surface Finish: GLS ■, QGT ■, PVD/ Golden ■

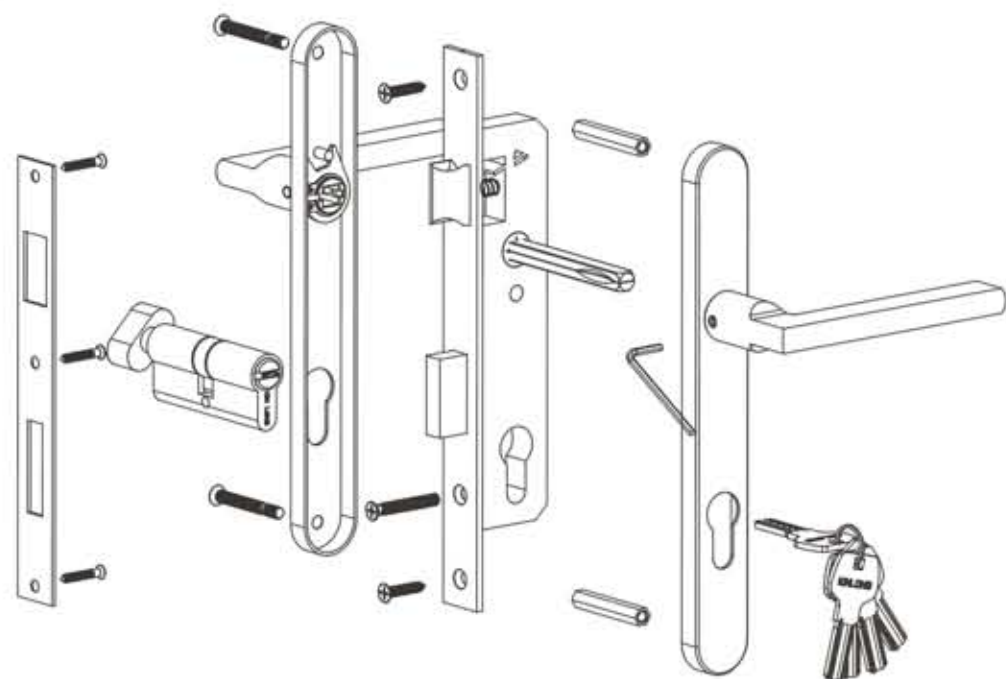


### MLS0332C

材质: 304不锈钢;  
标配: ST8550Z防火锁体 (可选配8545防盗防火锁体), 标准葫芦锁芯;  
适用: 门厚35mm以上的入户门、双开门、通道门;  
表面处理: 钢拉丝 (GLS) ■、青古铜 (QGT) ■、金色PVD(PVD) ■

### MLS0332C

Material: Stainless steel 304  
Lock Body: ST8550Z lock body with anti-theft and anti-fire function (8545 lock body with anti-theft and anti-fire function is also available), standard gourd-size cylinder;  
Application:  $\geq 35$ mm thick entrance door, double sash door and passage door;  
Surface Finish: GLS ■, QGT ■, PVD/ Golden ■



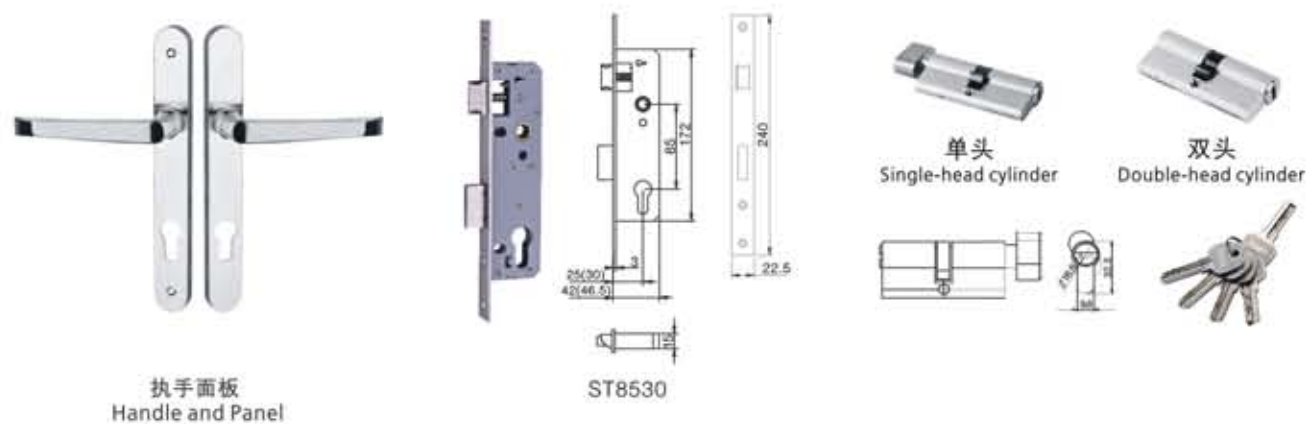
### 使用说明 Instruction

该锁平时起一般通道作用，转动内外执手即可开门，出入方便。当在室外用钥匙上锁后，方舌弹出20mm以上，必须通过室内的锁芯旋钮开门；如转动室内的锁芯旋钮上锁后，室外同样要用钥匙开门。

Usually used for access lock, rotating handle inside or outside can open the door for simple utility, locked from outside by key, dead bolt launch to 20mm, can only be opened by the knob inside.

### 产品出厂标准配置

Product factory standard configuration



### MLS0568C

材质：304不锈钢；  
标配：ST8530锁体（可选配ST8525锁体），标准葫芦锁芯；  
适用：门厚35mm以上型材门；  
表面处理：钢拉丝（GLS）■、青古铜（QGT）■、金色PVD(PVD) ■

### MLS0568C

Material: Stainless steel 304  
Lock Body: lock body ST8530 (lock body ST8525 is also available), standard gourd-size cylinder;  
Application: Could be used on  $\geq 35$ mm thick profile doors;  
Surface Finish: GLS ■, QGT ■, PVD/ Golden ■



### MLS0507C

材质：304不锈钢；  
标配：ST8530锁体（可选配ST8525锁体），标准葫芦锁芯；  
适用：门厚35mm以上型材门；  
表面处理：钢拉丝（GLS）■、青古铜（QGT）■、金色PVD(PVD) ■

### MLS0507C

Material: Stainless steel 304  
Lock Body: lock body ST8530 (lock body ST8525 is also available), standard gourd-size cylinder;  
Application: Could be used on  $\geq 35$ mm thick profile doors;  
Surface Finish: GLS ■, QGT ■, PVD/ Golden ■

# 锌合金入户门锁

## ZINC ALLOY ENTRANCE DOOR LOCK

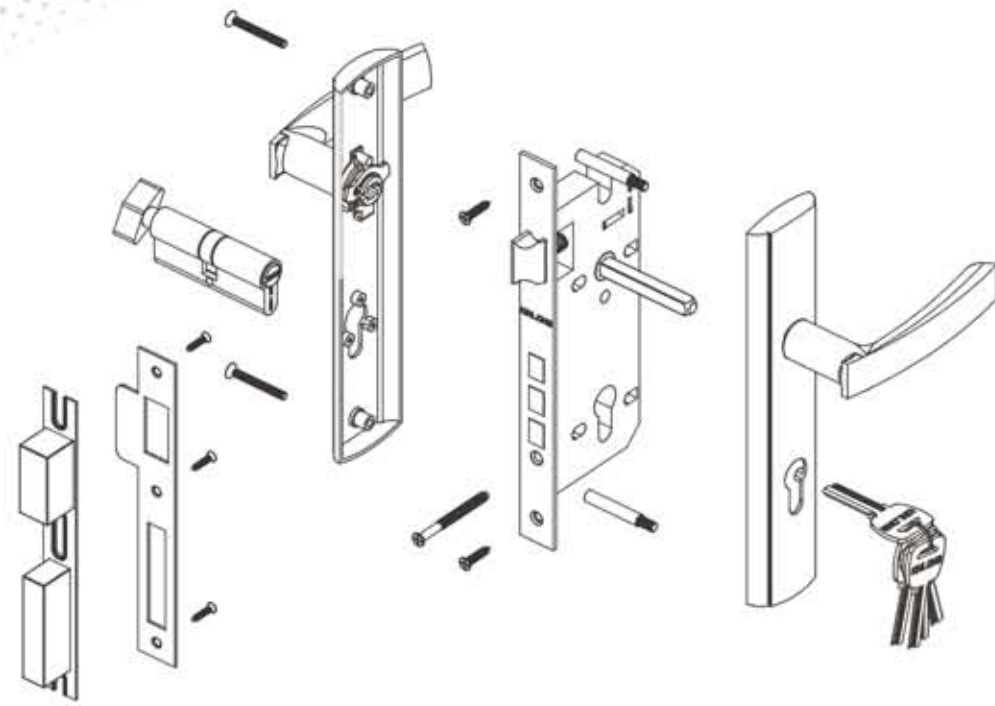
坚朗锌合金入户门锁是选用高质量的锌合金一次压铸成型，内部组织细密，机械性能好，外观涵盖中欧美等款式，质感好；表面采用先进的电镀处理工艺电镀，耐磨永不褪色。

锌合金入户门锁依据ISO9001质量标准，在生产、销售、服务全过程中均受ISO9001质量监控，所有产品参数都符合插芯锁标准QBT2474-2000，最大限度的满足于公共建筑设施、商建、住宅等多方位建筑要求。

Kinlong's Zinc alloy entrance door locks are Disposable Die-castes with high quality Zinc alloy. The lock has meticulous internal organization, good mechanical property, it covers Chinese, European, and American styles for outlook and touches cozy. Using the advanced electroplating process with its surface treatment, makes it wearable and never fades.

The Zinc alloy entrance door locks are based on the ISO90001 quality standard. In the whole procedure of produce, sales and customer service, they all strictly monitored by ISO90001 and all the parameters meet QBT2474-2000, which meets multi-requirements of public constructions, business buildings, and apartments in maximum degree.





### 使用说明 Instruction

该锁平时不上锁，里外转动执手可轻松开门，起一般通道锁作用，方便出入。当在室外用钥匙上锁，锁舌可伸出两档达20mm以上，安全保险。此时，转动执手不能开门，必须用钥匙或在室内转动旋钮才能开门；在室内转动旋钮或用钥匙同样上锁后，转动执手不能开门，同样需要用钥匙或在室内转动旋钮开门。

Usually the lock is used as passage lock for convenience which can be open/closed by handle. Closed by key outside, lock tongue stretches more than 20mm by two-turns, must be opened by key outside or by rotating the button inside. The same if closed by key or by rotating button inside.

### 产品出厂标准配置

Product factory standard configuration



执手面板  
Handle and Panel



ST8545



### ML100000B

材质：锌合金；  
标配：ST8545锁体，标准葫芦锁芯；  
适用：门厚35mm以上的入户门、双开门、通道门；  
表面处理：K金（KJ）■、青古铜（QGT）■

### ML100000B

Material: Zinc alloy  
Lock Body: 8545 lock body, standard gourd-size cylinder  
Application:  $\geq 35$ mm thick entrance door, double sash door and passage door;  
Surface Finish: KJ ■, QGT ■



### ML100110B

材质：锌合金；  
标配：ST8545锁体，标准葫芦锁芯；  
适用：门厚35mm以上的入户门、双开门、通道门；  
表面处理：K金（KJ）■、青古铜（QGT）■

### ML100110B

Material: Zinc alloy  
Lock Body: 8545 lock body, standard gourd-size cylinder  
Application:  $\geq 35$ mm thick entrance door, double sash door and passage door;  
Surface Finish: KJ ■, QGT ■



### ML100111B

材质：锌合金；  
标配：ST8545锁体，标准葫芦锁芯；  
适用：门厚35mm以上的入户门、双开门、通道门；  
表面处理：K金（KJ）■、青古铜（QGT）■

### ML100111B

Material: Zinc alloy  
Lock Body: 8545 lock body, standard gourd-size cylinder  
Application:  $\geq 35$ mm thick entrance door, double sash door and passage door;  
Surface Finish: KJ ■, QGT ■



### ML121111B

材质: 锌合金;  
标配: ST8545锁体, 标准葫芦锁芯;  
适用: 门厚35mm以上的入户门、双开门、通道门;  
表面处理: K金 (KJ) ■、青古铜 (QGT) ■

### ML121111B

Material: Zinc alloy  
Lock Body: 8545 lock body, standard gourd-size cylinder  
Application:  $\geq 35$ mm thick entrance door, double sash door and passage door;  
Surface Finish: KJ ■, QGT ■



### ML121110B

材质: 锌合金;  
标配: ST8545锁体, 标准葫芦锁芯;  
适用: 门厚35mm以上的入户门、双开门、通道门;  
表面处理: K金 (KJ) ■、青古铜 (QGT) ■

### ML121110B

Material: Zinc alloy  
Lock Body: 8545 lock body, standard gourd-size cylinder  
Application:  $\geq 35$ mm thick entrance door, double sash door and passage door;  
Surface Finish: KJ ■, QGT ■



### ML118151B

材质: 锌合金;  
标配: ST8545Z锁体, 标准葫芦锁芯;  
适用: 门厚35mm以上的入户门、双开门、通道门;  
表面处理: 镍拉丝 (NLS) ■、青古铜 (QGT) ■

### ML118151B

Material: Zinc alloy  
Lock Body: ST8545Z lock body, standard gourd-size cylinder  
Application:  $\geq 35$ mm thick entrance door, double sash door and passage door;  
Surface Finish: NLS ■, QGT ■



### ML103114B

材质: 锌合金;  
标配: ST8545锁体, 标准葫芦锁芯;  
适用: 门厚35mm以上的入户门、双开门、通道门;  
表面处理: 镍拉丝 (NLS) ■

### ML103114B

Material: Zinc alloy  
Lock Body: ST8545 lock body, standard gourd-size cylinder  
Application:  $\geq 35$ mm thick entrance door, double sash door and passage door;  
Surface Finish: NLS ■



### ML103067B

材质: 锌合金;  
标配: ST8545锁体, 标准葫芦锁芯;  
适用: 门厚35mm以上的入户门、双开门、通道门;  
表面处理: 镍拉丝 (NLS) ■

### ML103067B

Material: Zinc alloy  
Lock Body: ST8545 lock body, standard gourd-size cylinder  
Application:  $\geq 35$ mm thick entrance door, double sash door and passage door;  
Surface Finish: NLS ■

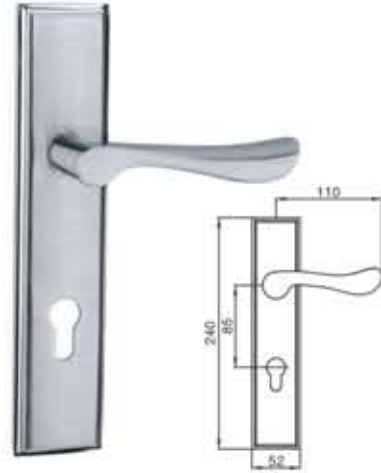


### ML04202

材质: 锌合金;  
标配: ST8550Z锁体, 标准葫芦锁芯;  
适用: 门厚35mm以上的入户门、双开门、通道门;  
表面处理: 镍拉丝 (NLS) ■

### ML04202

Material: Zinc alloy  
Lock Body: ST8550Z lock body, standard gourd-size cylinder  
Application:  $\geq 35$ mm thick entrance door, double sash door and passage door;  
Surface Finish: NLS ■



**ML104074B**

材质: 锌合金;  
标配: ST8545锁体, 标准葫芦锁芯;  
适用: 门厚35mm以上的入户门、双开门、通道门;  
表面处理: 镍拉丝 (NLS) ■

**ML104074B**

Material: Zinc alloy  
Lock Body: ST8545 lock body, standard gourd-size cylinder  
Application:  $\geq 35$ mm thick entrance door, double sash door and passage door;  
Surface Finish: NLS ■



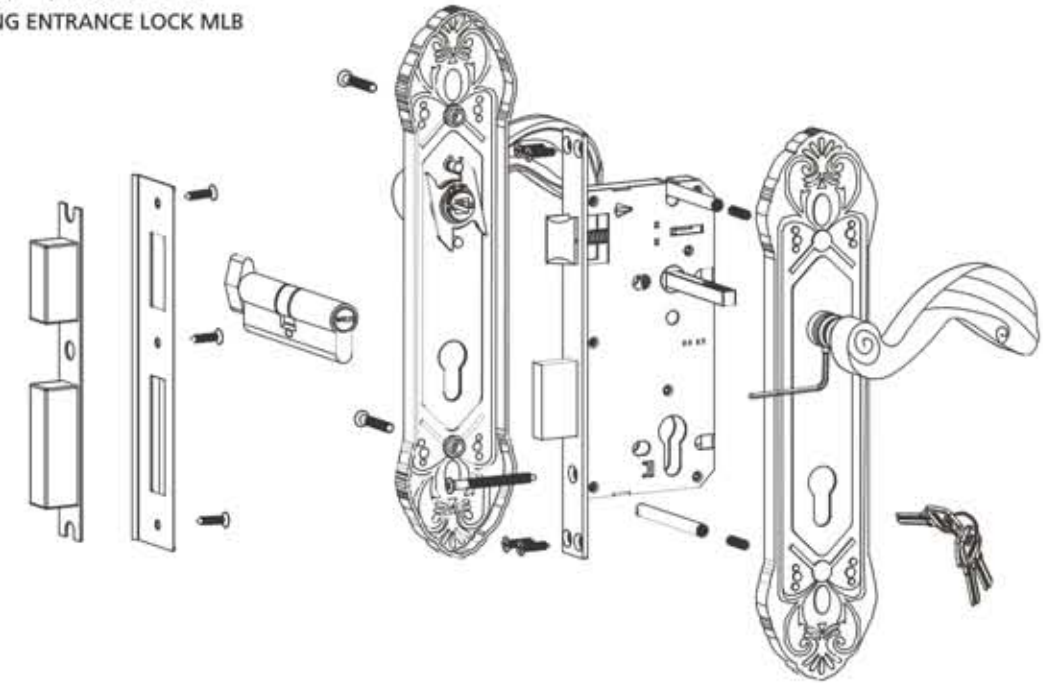
**ML117161B**

材质: 锌合金;  
标配: ST8545锁体, 标准葫芦锁芯;  
适用: 门厚35mm以上的入户门、双开门、通道门;  
表面处理: 镍拉丝 (NLS) ■

**ML117161B**

Material: Zinc alloy  
Lock Body: ST8545 lock body, standard gourd-size cylinder  
Application:  $\geq 35$ mm thick entrance door, double sash door and passage door;  
Surface Finish: NLS ■

铜材质入户门锁 MLB  
BRASS DRAWING ENTRANCE LOCK MLB



使用说明 Instruction

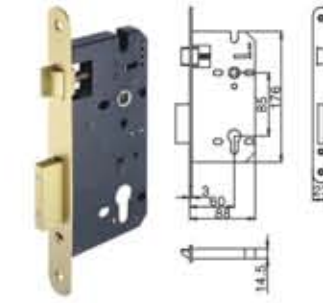
该锁平时不上锁, 里外转动执手可轻松开门, 起一般通道锁作用, 方便出入。当在室外用钥匙上锁, 锁舌可伸出两档达20mm以上, 安全保险。此时, 转动执手不能开门, 必须用钥匙或在室内转动旋钮才能开门; 在室内转动旋钮或用钥匙同样上锁后, 转动执手不能开门, 同样需要用钥匙或在室内转动旋钮开门。

Usually the lock is used as passage lock for convenience which can be open/closed by rotating its handle. Closed by key outside, lock tongue stretches more than 20mm by two-turns, must be opened with key outside or by rotating the button inside. The same if closed by key or by rotating button inside.

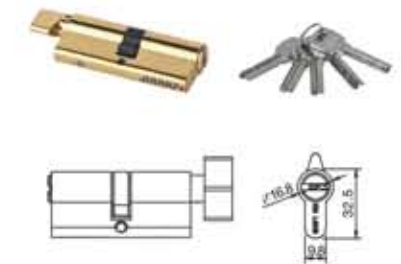
产品出厂标准配置  
Product factory standard configuration

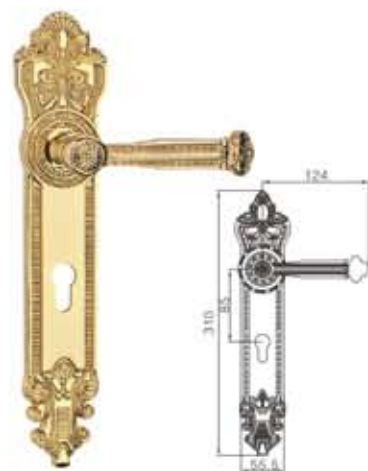


执手面板  
Handle and Panel



ST8560





### MLB123155

材质：纯铜；  
标配：ST8560锁体，标准葫芦锁芯；  
适用：门厚35mm以上的入户门、双开门、通道门；  
表面处理：金色（GOLD）■、青古铜（QGT）■

### MLB123155

Material: Brass  
Lock Body: 8560 lock body, standard gourd-size cylinder;  
Application:  $\geq 35$ mm thick entrance door, double sash door and passage door;  
Surface Finish: GOLD ■, QGT ■



### MLB125157

材质：纯铜；  
标配：ST8560锁体，标准葫芦锁芯；  
适用：门厚35mm以上的入户门、双开门、通道门；  
表面处理：金色（GOLD）■、青古铜（QGT）■

### MLB125157

Material: Brass  
Lock Body: 8560 lock body, standard gourd-size cylinder;  
Application:  $\geq 35$ mm thick entrance door, double sash door and passage door;  
Surface Finish: GOLD ■, QGT ■

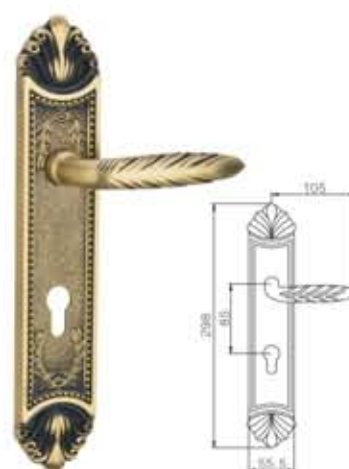


### MLB101110

材质：纯铜；  
标配：ST8560锁体，标准葫芦锁芯；  
适用：门厚35mm以上的入户门、双开门、通道门；  
表面处理：金色（GOLD）■、青古铜（QGT）■

### MLB101110

Material: Brass  
Lock Body: 8560 lock body, standard gourd-size cylinder;  
Application:  $\geq 35$ mm thick entrance door, double sash door and passage door;  
Surface Finish: GOLD ■, QGT ■



### MLB124156

材质：纯铜；  
标配：ST8560锁体，标准葫芦锁芯；  
适用：门厚35mm以上的入户门、双开门、通道门；  
表面处理：金色（GOLD）■、青古铜（QGT）■

### MLB124156

Material: Brass  
Lock Body: 8560 lock body, standard gourd-size cylinder;  
Application:  $\geq 35$ mm thick entrance door, double sash door and passage door;  
Surface Finish: GOLD ■, QGT ■



### MLB126158

材质：纯铜；  
标配：ST8560锁体，标准葫芦锁芯；  
适用：门厚35mm以上的入户门、双开门、通道门；  
表面处理：金色（GOLD）■、青古铜（QGT）■

### MLB126158

Material: Brass  
Lock Body: 8560 lock body, standard gourd-size cylinder;  
Application:  $\geq 35$ mm thick entrance door, double sash door and passage door;  
Surface Finish: GOLD ■, QGT ■

# 分体门锁

## FISSILE LOCK

坚朗分体门锁采用优质SUS304不锈钢或者优质锌合金制作而成，款式多样功能齐全，机械性能好，表面本色拉丝或者电镀处理，耐磨永不褪色。

分体门锁依据ISO9001质量标准，在生产、销售、服务全过程中均受ISO9001质量监控，所有产品参数都符合插芯锁标准QB/T2474-2000，最大限度的满足于公共建筑设施、商建、住宅等多方位建筑要求。

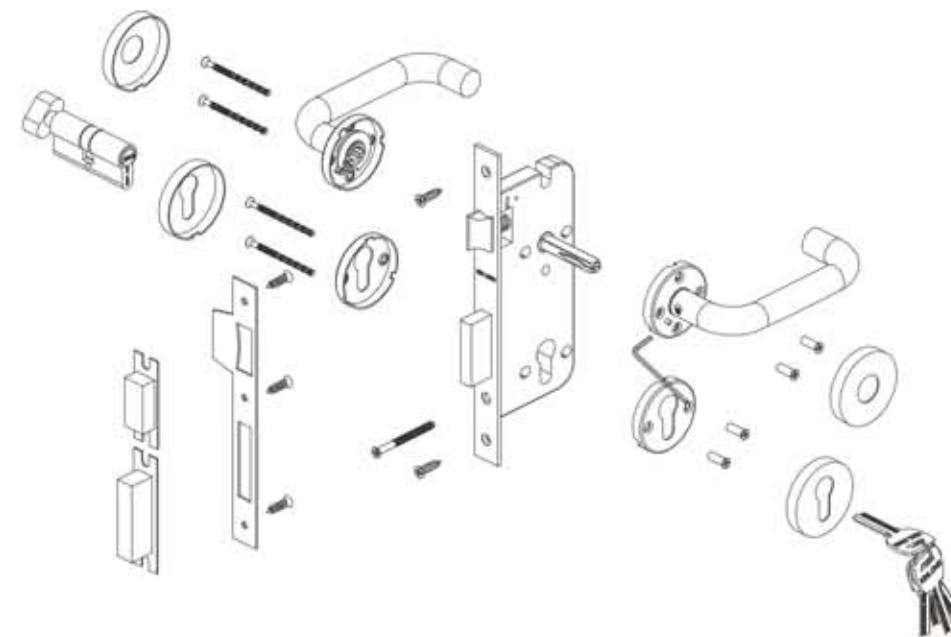
Kinlong's fissile lock adopt high quality of SUS304 or Zinc alloy. It has various types and multi-functions and good mechanical property. Its surface treatment adopts natural brush or Electroplating, which makes it wearable and never fades.

Fissile door locks are based on the ISO90001 quality standard. In the whole procedure of produce, sales and customer service, they all strictly monitored by ISO90001 and all the parameters meet QB/T2474-2000, which meets multi-requirements of public constructions, business buildings, and apartments in maximum degree.



### 不锈钢分体门锁 MYS

#### STAINLESS STEEL FISSILE LOCK MYS



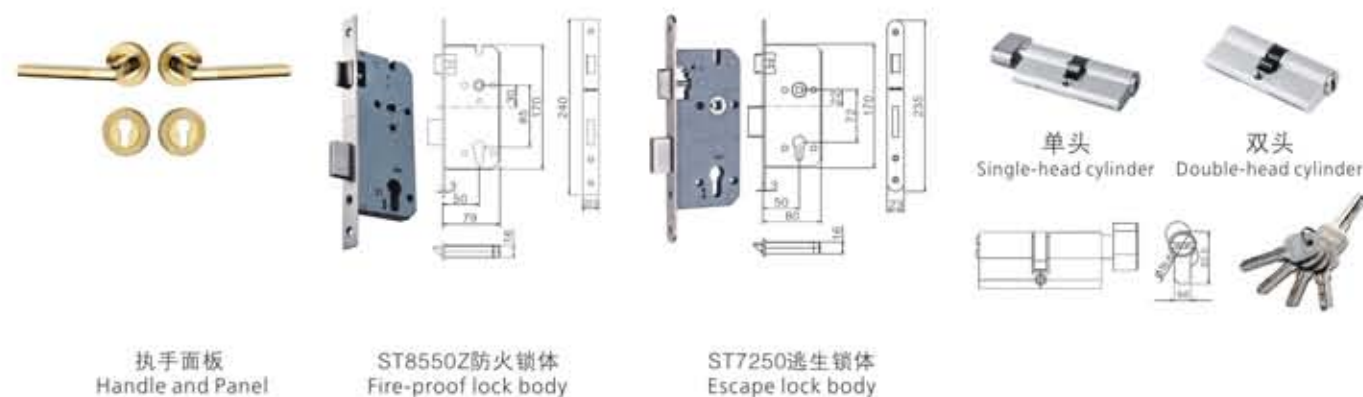
#### 使用说明 Instruction

该锁平时不上锁，里外转动执手可轻松开门，起一般通道锁作用，方便出入。当在室外用钥匙上锁，锁舌可伸出两档达20mm以上，安全保险。此时，转动执手不能开门，必须用钥匙或在室内转动旋钮才能开门；在室内转动旋钮或用钥匙同样上锁后，转动执手不能开门，同样需要用钥匙或在室内转动旋钮开门。

The lock is usually available without being locked, can be open/closed easily by rotating the handle. The lock is very safe for the tongue can stretch more than 20mm locked outside by key, and must be opened by key outside or rotating the button inside. The same if closed by key or by rotating button inside.

#### 产品出厂标准配置

Product factory standard configuration



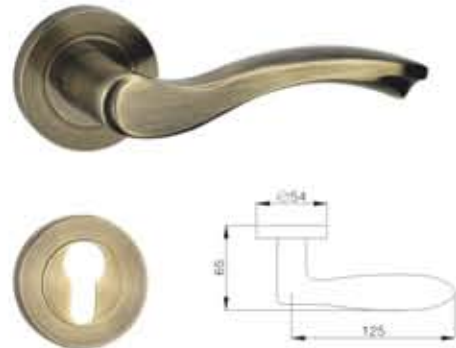


### MYS2701C

材质: 304不锈钢;  
标配: ST8550Z防火锁体 (可选配ST7250逃生锁体), 标准葫芦锁芯;  
适用: 门厚35mm以上的入户门、双开门、房间门、通道门;  
表面处理: 钢拉丝 (GLS) ■、青古铜 (QGT) ■、金色PVD(PVD) ■

### MYS2701C

Material: Stainless steel 304  
Lock Body: 8550Z lock body with fireproof function (lock body 7250 is also available for emergency escape), standard gourd-size cylinder;  
Application:  $\geq 35$ mm thick entrance door, double sash door, room door and passage door;  
Surface Finish: GLS ■, QGT ■, PVD/ Golden ■



### MYS27119C

材质: 304不锈钢;  
标配: ST8550Z防火锁体 (可选配ST7250逃生锁体), 标准葫芦锁芯;  
适用: 门厚35mm以上的入户门、双开门、房间门、通道门;  
表面处理: 钢拉丝 (GLS) ■、青古铜 (QGT) ■、金色PVD(PVD) ■

### MYS27119C

Material: Stainless steel 304  
Lock Body: 8550Z lock body with fireproof function (lock body 7250 is also available for emergency escape), standard gourd-size cylinder;  
Application:  $\geq 35$ mm thick entrance door, double sash door, room door and passage door;  
Surface Finish: GLS ■, QGT ■, PVD/ Golden ■



### MYS2732C

材质: 304不锈钢;  
标配: ST8550Z防火锁体 (可选配ST7250逃生锁体), 标准葫芦锁芯;  
适用: 门厚35mm以上的入户门、双开门、房间门、通道门;  
表面处理: 钢拉丝 (GLS) ■、青古铜 (QGT) ■、金色PVD(PVD) ■

### MYS2732C

Material: Stainless steel 304  
Lock Body: 8550Z lock body with fireproof function (lock body 7250 is also available for emergency escape), standard gourd-size cylinder;  
Application:  $\geq 35$ mm thick entrance door, double sash door, room door and passage door;  
Surface Finish: GLS ■, QGT ■, PVD/ Golden ■



### MYS2707C

材质: 304不锈钢;  
标配: ST8550Z防火锁体 (可选配ST7250逃生锁体), 标准葫芦锁芯;  
适用: 门厚35mm以上的入户门、双开门、房间门、通道门;  
表面处理: 钢拉丝 (GLS) ■、青古铜 (QGT) ■、金色PVD(PVD) ■

### MYS2707C

Material: Stainless steel 304  
Lock Body: 8550Z lock body with fireproof function (lock body 7250 is also available for emergency escape), standard gourd-size cylinder;  
Application:  $\geq 35$ mm thick entrance door, double sash door, room door and passage door;  
Surface Finish: GLS ■, QGT ■, PVD/ Golden ■



### MYS2703C

材质: 304不锈钢;  
标配: ST8550Z防火锁体 (可选配ST7250逃生锁体), 标准葫芦锁芯;  
适用: 门厚35mm以上的入户门、双开门、房间门、通道门;  
表面处理: 钢拉丝 (GLS) ■、青古铜 (QGT) ■、金色PVD(PVD) ■

### MYS2703C

Material: Stainless steel 304  
Lock Body: 8550Z lock body with fireproof function (lock body 7250 is also available for emergency escape), standard gourd-size cylinder;  
Application:  $\geq 35$ mm thick entrance door, double sash door, room door and passage door;  
Surface Finish: GLS ■, QGT ■, PVD/ Golden ■



### MYS27135C

材质: 304不锈钢;  
标配: ST8550Z防火锁体 (可选配ST7250逃生锁体), 标准葫芦锁芯;  
适用: 门厚35mm以上的入户门、双开门、房间门、通道门;  
表面处理: 钢拉丝 (GLS) ■

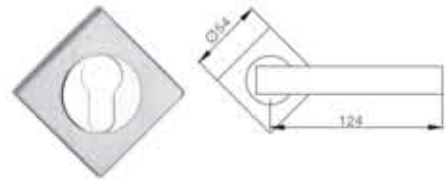
### MYS27135C

Material: Stainless steel 304  
Lock Body: 8550Z lock body with fireproof function (lock body 7250 is also available for emergency escape), standard gourd-size cylinder;  
Application:  $\geq 35$ mm thick entrance door, double sash door, room door and passage door;  
Surface Finish: GLS ■



### MYS3413C

材质: 304不锈钢;  
标配: ST8550Z防火锁体(可选配ST7250逃生锁体), 标准葫芦锁芯;  
适用: 门厚35mm以上的入户门、双开门、房间门、通道门;  
表面处理: 钢拉丝(GLS)■、青古铜(QGT)■、金色PVD(PVD)■



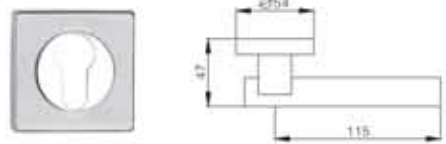
### MYS3413C

Material: Stainless steel 304  
Lock Body: 8550Z lock body with fireproof function (lock body 7250 is also available for emergency escape), standard gourd-size cylinder;  
Application:  $\geq 35$ mm thick entrance door, double sash door, room door and passage door;  
Surface Finish: GLS ■, QGT ■, PVD/ Golden ■



### MYS28135C

材质: 304不锈钢;  
标配: ST8550Z防火锁体(可选配ST7250逃生锁体), 标准葫芦锁芯;  
适用: 门厚35mm以上的入户门、双开门、房间门、通道门;  
表面处理: 钢拉丝(GLS)■



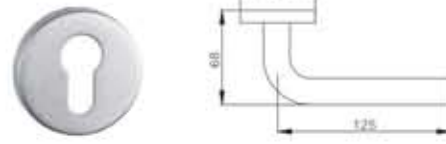
### MYS28135C

Material: Stainless steel 304  
Lock Body: 8550Z lock body with fireproof function (lock body 7250 is also available for emergency escape), standard gourd-size cylinder;  
Application:  $\geq 35$ mm thick entrance door, double sash door, room door and passage door;  
Surface Finish: GLS ■



### ★ MYS2785

材质: 304不锈钢;  
标配: ST8550Z防火锁体(可选配ST7250逃生锁体), 标准葫芦锁芯;  
适用: 门厚35mm以上的入户门、双开门、房间门、通道门;  
表面处理: 钢拉丝(GLS)■、青古铜(QGT)■、金色PVD(PVD)■



### ★ MYS2785

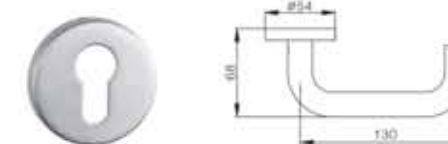
Material: Stainless steel 304  
Lock Body: 8550Z lock body with fireproof function (lock body 7250 is also available for emergency escape), standard gourd-size cylinder;  
Application:  $\geq 35$ mm thick entrance door, double sash door, room door and passage door;  
Surface Finish: GLS ■, QGT ■, PVD/ Golden ■

★ 防火门锁 Fireproof Lock



### ★ MYS27105

材质: 304不锈钢;  
标配: ST8550Z防火锁体(可选配ST7250逃生锁体), 标准葫芦锁芯;  
适用: 门厚35mm以上的入户门、双开门、房间门、通道门;  
表面处理: 钢拉丝(GLS)■、青古铜(QGT)■、金色PVD(PVD)■



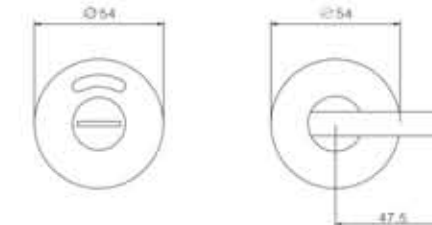
### ★ MYS27105

Material: Stainless steel 304  
Lock Body: 8550Z lock body with fireproof function (lock body 7250 is also available for emergency escape), standard gourd-size cylinder;  
Application:  $\geq 35$ mm thick entrance door, double sash door, room door and passage door;  
Surface Finish: GLS ■, QGT ■, PVD/ Golden ■



### MYS27181D

材质: 304不锈钢;  
标配: ST0058单方舌锁体;  
适用: 门厚35mm-48mm的卫生间门;  
表面处理: 钢拉丝(GLS)■

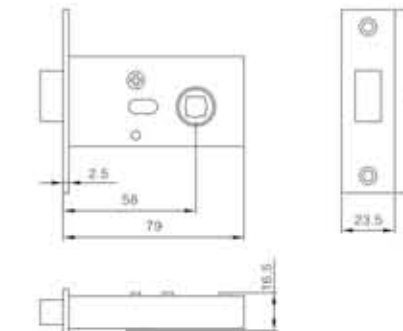


### MYS27181D

Material: Stainless steel 304;  
Lock Body: lock body with St0058 unilateral lock tongues;  
Application:  $\geq 35$ mm thick bathroom door;  
Surface Finish: GLS ■

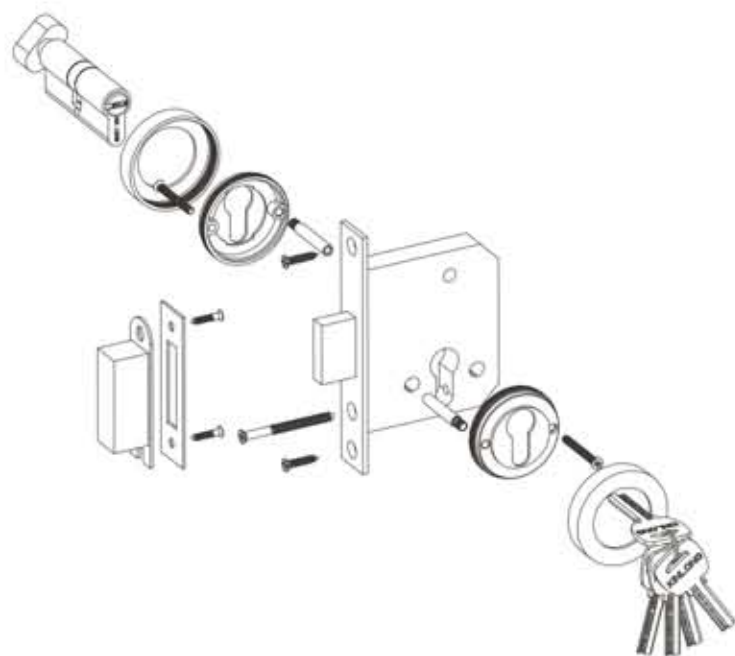


ST0058



# 不锈钢分体门锁 MYS

STAINLESS STEEL FISSILE LOCK MYS



## MYS2700

材质: 304不锈钢;  
标配: 55单方舌锁体, 标准葫芦锁芯;  
适用: 门厚35mm以上的入户门、双开门;  
表面处理: 钢拉丝 (GLS) ■、青古铜 (QGT) ■、金色PVD(PVD) ■

## MYS2700

Material: Stainless steel 304  
Lock Body: lock body with 55 unilateral lock tongues, standard gourd-size cylinder;  
Application:  $\geq 35$ mm thick entrance door, double sash door;  
Surface Finish: GLS ■, QGT ■, PVD/ Golden ■

## 使用说明 Instruction

该锁为单方舌锁, 可与其他拉手配合使用。室外用钥匙上锁后, 必须用钥匙开门或在室内转动旋钮进行开门。也可选择上锁后、室外室内都必须用钥匙开门。

The lock is single dead bolt which can match with other handle. Locked by key outside, it must be open by key or rotating the knob inside. Also you can choose to open by key inside and outside after being locked.



## MYS2900

材质: 304不锈钢;  
标配: 55单方舌锁体, 标准葫芦锁芯;  
适用: 门厚35mm以上的入户门、双开门;  
表面处理: 钢拉丝 (GLS) ■、青古铜 (QGT) ■、金色PVD(PVD) ■

## MYS2900

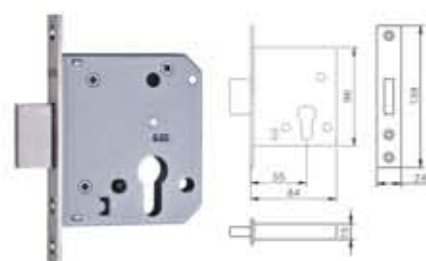
Material: Stainless steel 304  
Lock Body: lock body with 55 unilateral lock tongues, standard gourd-size cylinder;  
Application:  $\geq 35$ mm thick entrance door, double sash door;  
Surface Finish: GLS ■, QGT ■, PVD/ Golden ■

## 产品出厂标准配置

Product factory standard configuration



面板  
Panel

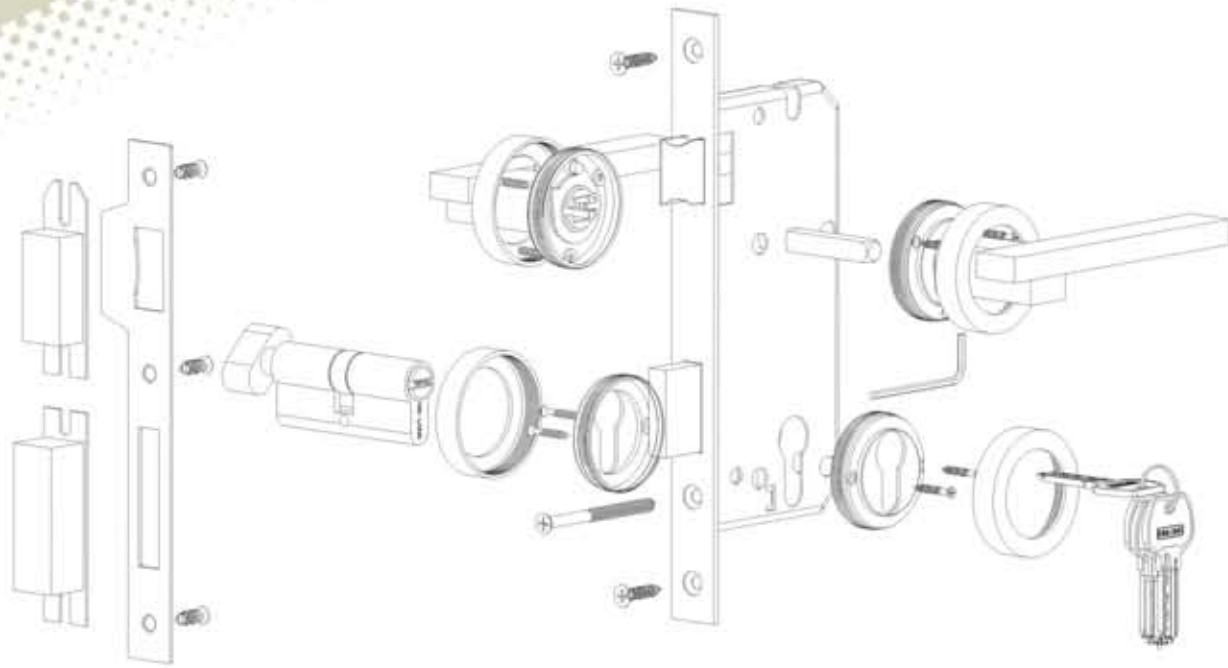


55单方舌锁体  
55 Unilateral tongue lock



单头  
Single-head cylinder

双头  
Double-head cylinder



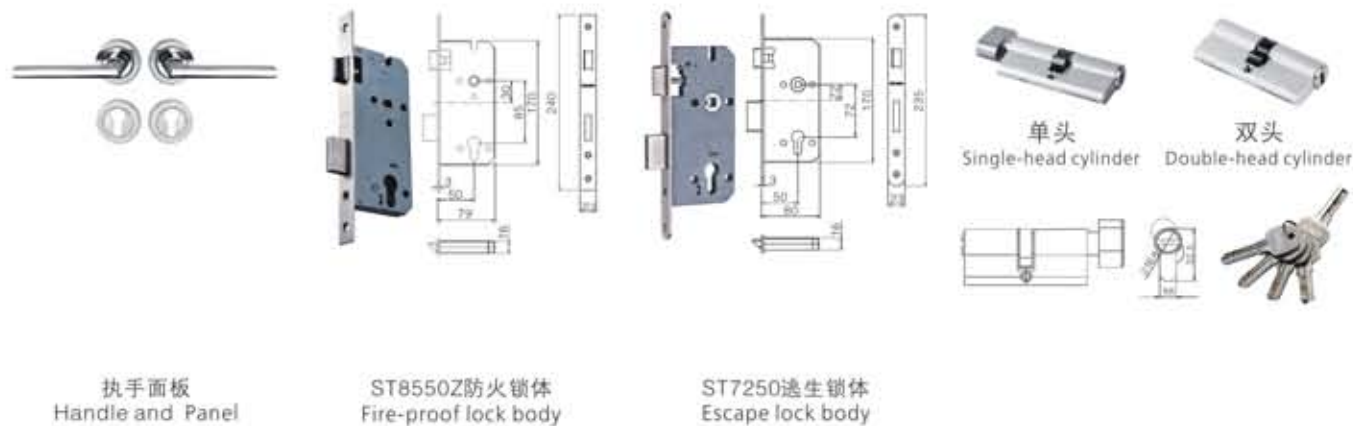
### 使用说明 Instruction

该锁平时不上锁，里外转动执手可轻松开门，起一般通道锁作用，方便出入。当在室外用钥匙上锁，锁舌可伸出两档达20mm以上，安全保险。此时，转动执手不能开门，必须用钥匙或在室内转动旋钮才能开门；在室内转动旋钮或用钥匙同样上锁后，转动执手不能开门，同样需要用钥匙或在室内转动旋钮开门。

The lock is usually available without being locked, can be open/closed easily by rotating the handle. The lock is very safe for the tongue can stretch more than 20mm locked outside by key, and must be opened by key outside or rotating the button inside. The same if closed by key or by rotating button inside.

### 产品出厂标准配置

Product factory standard configuration



### MY2758

材质：锌合金；  
标配：ST8550Z防火锁体（可选配ST7250逃生锁体），标准葫芦锁芯；  
适用：门厚35mm以上的入户门、双开门、房间门、通道门；  
表面处理：镍拉丝（NLS）■、K金（KJ）■、青古铜（QGT）■

### MY2758

Material: Zinc alloy;  
Lock Body: ST8550Z fire-proof lock body (also match with lock body 7250 for emergency escape), standard gourd-size cylinder;  
Application:  $\geq 35$ mm thick entrance door, double sash door, room door and passage door;  
Surface Finish: NLS ■, KJ ■, QGT ■



### MY2770

材质：锌合金；  
标配：ST8550Z防火锁体（可选配ST7250逃生锁体），标准葫芦锁芯；  
适用：门厚35mm以上的入户门、双开门、房间门、通道门；  
表面处理：镍拉丝（NLS）■、K金（KJ）■、青古铜（QGT）■

### MY2770

Material: Zinc alloy;  
Lock Body: ST8550Z fire-proof lock body (also match with lock body 7250 for emergency escape), standard gourd-size cylinder;  
Application:  $\geq 35$ mm thick entrance door, double sash door, room door and passage door;  
Surface Finish: NLS ■, KJ ■, QGT ■



### MY2789

材质：锌合金；  
标配：ST8550Z防火锁体（可选配ST7250逃生锁体），标准葫芦锁芯；  
适用：门厚35mm以上的入户门、双开门、房间门、通道门；  
表面处理：镍拉丝（NLS）■、K金（KJ）■、青古铜（QGT）■

### MY2789

Material: Zinc alloy;  
Lock Body: ST8550Z fire-proof lock body (also match with lock body 7250 for emergency escape), standard gourd-size cylinder;  
Application:  $\geq 35$ mm thick entrance door, double sash door, room door and passage door;  
Surface Finish: NLS ■, KJ ■, QGT ■



### MY2767

材质: 锌合金;  
标配: ST8550Z防火锁体 (可选配ST7250逃生锁体), 标准葫芦锁芯;  
适用: 门厚35mm以上的入户门、双开门、房间门、通道门;  
表面处理: 镍拉丝 (NLS) ■, K金 (KJ) ■, 青古铜 (QGT) ■

### MY2767

Material: Zinc alloy;  
Lock Body: ST8550Z fire-proof lock body (also match with lock body7250 for emergency escape), standard gourd-size cylinder;  
Application:  $\geq 35$ mm thick entrance door, double sash door, room door and passage door;  
Surface Finish: NLS ■, KJ ■, QGT ■



### MY2755

材质: 锌合金;  
标配: ST8550Z防火锁体 (可选配ST7250逃生锁体), 标准葫芦锁芯;  
适用: 门厚35mm以上的入户门、双开门、房间门、通道门;  
表面处理: 镍拉丝 (NLS) ■, K金 (KJ) ■, 青古铜 (QGT) ■

### MY2755

Material: Zinc alloy;  
Lock Body: ST8550Z fire-proof lock body (also match with lock body7250 for emergency escape), standard gourd-size cylinder;  
Application:  $\geq 35$ mm thick entrance door, double sash door, room door and passage door;  
Surface Finish: NLS ■, KJ ■, QGT ■



### MY27200

材质: 锌合金;  
标配: ST8550Z防火锁体 (可选配ST7250逃生锁体), 标准葫芦锁芯;  
适用: 门厚35mm以上的入户门、双开门、房间门、通道门;  
表面处理: 亮铬 (DL) ■

### MY27200

Material: Zinc alloy;  
Lock Body: ST8550Z fire-proof lock body (also match with lock body7250 for emergency escape), standard gourd-size cylinder;  
Application:  $\geq 35$ mm thick entrance door, double sash door, room door and passage door;  
Surface Finish: DL ■



### MY2751

材质: 锌合金;  
标配: ST8550Z防火锁体 (可选配ST7250逃生锁体), 标准葫芦锁芯;  
适用: 门厚35mm以上的入户门、双开门、房间门、通道门;  
表面处理: 镍拉丝 (NLS) ■, K金 (KJ) ■, 青古铜 (QGT) ■

### MY2751

Material: Zinc alloy;  
Lock Body: ST8550Z fire-proof lock body (also match with lock body7250 for emergency escape), standard gourd-size cylinder;  
Application:  $\geq 35$ mm thick entrance door, double sash door, room door and passage door;  
Surface Finish: NLS ■, KJ ■, QGT ■



### MY2771

材质: 锌合金;  
标配: ST8550Z防火锁体 (可选配ST7250逃生锁体), 标准葫芦锁芯;  
适用: 门厚35mm以上的入户门、双开门、房间门、通道门;  
表面处理: 镍拉丝 (NLS) ■, K金 (KJ) ■, 青古铜 (QGT) ■

### MY2771

Material: Zinc alloy;  
Lock Body: ST8550Z fire-proof lock body (also match with lock body7250 for emergency escape), standard gourd-size cylinder;  
Application:  $\geq 35$ mm thick entrance door, double sash door, room door and passage door;  
Surface Finish: NLS ■, KJ ■, QGT ■

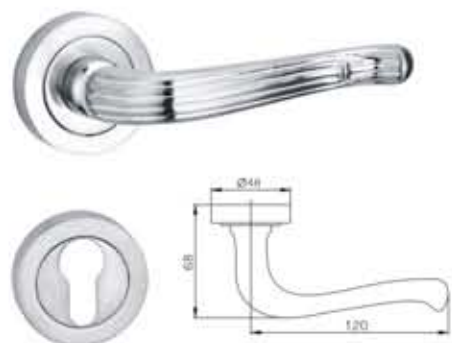


### MY2768

材质: 锌合金;  
标配: ST8550Z防火锁体 (可选配ST7250逃生锁体), 标准葫芦锁芯;  
适用: 门厚35mm以上的入户门、双开门、房间门、通道门;  
表面处理: 镍拉丝 (NLS) ■, K金 (KJ) ■, 青古铜 (QGT) ■

### MY2768

Material: Zinc alloy;  
Lock Body: ST8550Z fire-proof lock body (also match with lock body7250 for emergency escape), standard gourd-size cylinder;  
Application:  $\geq 35$ mm thick entrance door, double sash door, room door and passage door;  
Surface Finish: NLS ■, KJ ■, QGT ■



### MY2746

材质: 锌合金;  
标配: ST8550Z防火锁体(可选配ST7250逃生锁体), 标准葫芦锁芯;  
适用: 门厚35mm以上的入户门、双开门、房间门、通道门;  
表面处理: 铬拉丝(LLS)■、亮铬(DL)■

### MY2746

Material: Zinc alloy;  
Lock Body: ST8550Z fire-proof lock body (also match with lock body7250 for emergency escape), standard gourd-size cylinder;  
Application:  $\geq 35$ mm thick entrance door, double sash door, room door and passage door;  
Surface Finish: LLS■, DL■



### MY2749

材质: 锌合金;  
标配: ST8550Z防火锁体(可选配ST7250逃生锁体), 标准葫芦锁芯;  
适用: 门厚35mm以上的入户门、双开门、房间门、通道门;  
表面处理: 铬拉丝(LLS)■、亮铬(DL)■

### MY2749

Material: Zinc alloy;  
Lock Body: ST8550Z fire-proof lock body (also match with lock body7250 for emergency escape), standard gourd-size cylinder;  
Application:  $\geq 35$ mm thick entrance door, double sash door, room door and passage door;  
Surface Finish: LLS■, DL■



### MY2788

材质: 锌合金;  
标配: ST8550Z防火锁体(可选配ST7250逃生锁体), 标准葫芦锁芯;  
适用: 门厚35mm以上的入户门、双开门、房间门、通道门;  
表面处理: 镍拉丝(NLS)■、K金(KJ)■、青古铜(QGT)■

### MY2788

Material: Zinc alloy;  
Lock Body: ST8550Z fire-proof lock body (also match with lock body7250 for emergency escape), standard gourd-size cylinder;  
Application:  $\geq 35$ mm thick entrance door, double sash door, room door and passage door;  
Surface Finish: NLS■, KJ■, QGT■



### MY2784

材质: 锌合金;  
标配: ST8550Z防火锁体(可选配ST7250逃生锁体), 标准葫芦锁芯;  
适用: 门厚35mm以上的入户门、双开门、房间门、通道门;  
表面处理: 镍拉丝(NLS)■、K金(KJ)■、青古铜(QGT)■

### MY2784

Material: Zinc alloy;  
Lock Body: ST8550Z fire-proof lock body (also match with lock body7250 for emergency escape), standard gourd-size cylinder;  
Application:  $\geq 35$ mm thick entrance door, double sash door, room door and passage door;  
Surface Finish: NLS■, KJ■, QGT■



### MY2747

材质: 锌合金;  
标配: ST8550Z防火锁体(可选配ST7250逃生锁体), 标准葫芦锁芯;  
适用: 门厚35mm以上的入户门、双开门、房间门、通道门;  
表面处理: 镍拉丝(NLS)■、K金(KJ)■、青古铜(QGT)■

### MY2747

Material: Zinc alloy;  
Lock Body: ST8550Z fire-proof lock body (also match with lock body7250 for emergency escape), standard gourd-size cylinder;  
Application:  $\geq 35$ mm thick entrance door, double sash door, room door and passage door;  
Surface Finish: NLS■, KJ■, QGT■



### MY2754

材质: 锌合金;  
标配: ST8550Z防火锁体(可选配ST7250逃生锁体), 标准葫芦锁芯;  
适用: 门厚35mm以上的入户门、双开门、房间门、通道门;  
表面处理: 镍拉丝(NLS)■、K金(KJ)■、青古铜(QGT)■

### MY2754

Material: Zinc alloy;  
Lock Body: ST8550Z fire-proof lock body (also match with lock body7250 for emergency escape), standard gourd-size cylinder;  
Application:  $\geq 35$ mm thick entrance door, double sash door, room door and passage door;  
Surface Finish: NLS■, KJ■, QGT■



### MY2739

材质: 锌合金;  
标配: ST8550Z防火锁体(可选配ST7250逃生锁体), 标准葫芦锁芯;  
适用: 门厚35mm以上的入户门、双开门、房间门、通道门;  
表面处理: 镍拉丝(NLS) ■, K金(KJ) ■, 青古铜(QGT) ■

### MY2739

Material: Zinc alloy;  
Lock Body: ST8550Z fire-proof lock body (also match with lock body7250 for emergency escape), standard gourd-size cylinder;  
Application:  $\geq 35$ mm thick entrance door, double sash door, room door and passage door;  
Surface Finish: NLS ■, KJ ■, QGT ■



### MY2732

材质: 锌合金;  
标配: ST8550Z防火锁体(可选配ST7250逃生锁体), 标准葫芦锁芯;  
适用: 门厚35mm以上的入户门、双开门、房间门、通道门;  
表面处理: 铬拉丝(LLS) ■

### MY2732

Material: Zinc alloy;  
Lock Body: ST8550Z fire-proof lock body (also match with lock body7250 for emergency escape), standard gourd-size cylinder;  
Application:  $\geq 35$ mm thick entrance door, double sash door, room door and passage door;  
Surface Finish: LLS ■



### MY2774

材质: 锌合金;  
标配: ST8550Z防火锁体(可选配ST7250逃生锁体), 标准葫芦锁芯;  
适用: 门厚35mm以上的入户门、双开门、房间门、通道门;  
表面处理: 亮铬(DL) ■

### MY2774

Material: Zinc alloy;  
Lock Body: ST8550Z fire-proof lock body (also match with lock body7250 for emergency escape), standard gourd-size cylinder;  
Application:  $\geq 35$ mm thick entrance door, double sash door, room door and passage door;  
Surface Finish: DL ■



### MY2769

材质: 锌合金;  
标配: ST8550Z防火锁体(可选配ST7250逃生锁体), 标准葫芦锁芯;  
适用: 门厚35mm以上的入户门、双开门、房间门、通道门;  
表面处理: 镍拉丝(NLS) ■, K金(KJ) ■, 青古铜(QGT) ■

### MY2769

Material: Zinc alloy;  
Lock Body: ST8550Z fire-proof lock body (also match with lock body7250 for emergency escape), standard gourd-size cylinder;  
Application:  $\geq 35$ mm thick entrance door, double sash door, room door and passage door;  
Surface Finish: NLS ■, KJ ■, QGT ■

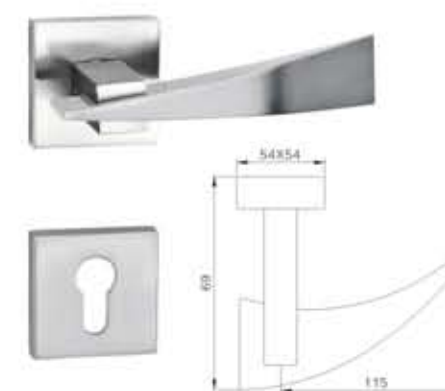


### MY2753

材质: 锌合金;  
标配: ST8550Z防火锁体(可选配ST7250逃生锁体), 标准葫芦锁芯;  
适用: 门厚35mm以上的入户门、双开门、房间门、通道门;  
表面处理: 镍拉丝(NLS) ■, K金(KJ) ■, 青古铜(QGT) ■

### MY2753

Material: Zinc alloy;  
Lock Body: ST8550Z fire-proof lock body (also match with lock body7250 for emergency escape), standard gourd-size cylinder;  
Application:  $\geq 35$ mm thick entrance door, double sash door, room door and passage door;  
Surface Finish: NLS ■, KJ ■, QGT ■

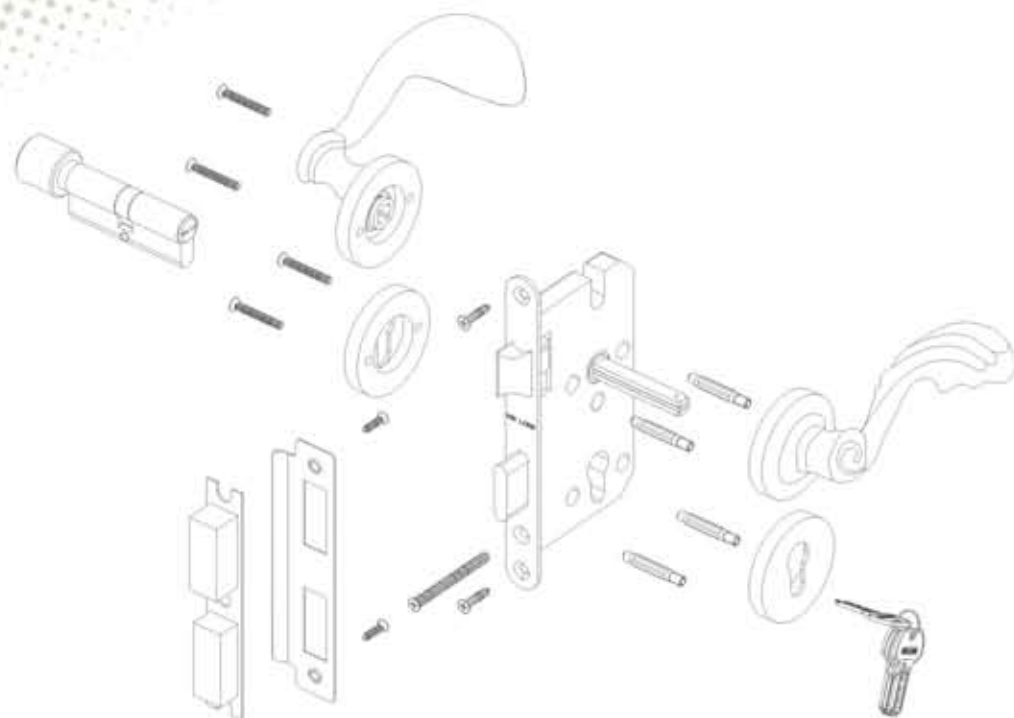


### MY28207

材质: 锌合金;  
标配: ST8550Z防火锁体(可选配ST7250逃生锁体), 标准葫芦锁芯;  
适用: 门厚35mm以上的入户门、双开门、房间门、通道门;  
表面处理: 镍拉丝(NLS) ■, K金(KJ) ■, 青古铜(QGT) ■

### MY28207

Material: Zinc alloy;  
Lock Body: ST8550Z fire-proof lock body (also match with lock body7250 for emergency escape), standard gourd-size cylinder;  
Application:  $\geq 35$ mm thick entrance door, double sash door, room door and passage door;  
Surface Finish: NLS ■, KJ ■, QGT ■



### 使用说明 Instruction

该锁平时不上锁，里外转动执手可轻松开门，起一般通道锁作用，方便出入。当在室外用钥匙上锁，锁舌可伸出两档达20mm以上，安全保险。此时，转动执手不能开门，必须用钥匙或在室内转动旋钮才能开门；在室内转动旋钮或用钥匙同样上锁后，转动执手不能开门，同样需要用钥匙或在室内转动旋钮开门。

The lock is usually available without being locked, can be open/closed easily by rotating the handle. The lock is very safe for the tongue can stretch more than 20mm locked outside by key, and must be opened by key outside or rotating the button inside. The same if closed by key or by rotating button inside.

### 产品出厂标准配置

Product factory standard configuration



执手面板  
Handle and Panel

ST8560



### MYB27110

材质：纯铜；  
标配：ST8560锁体，标准葫芦锁芯；  
适用：门厚35mm以上的入户门、双开门、房间门、通道门；  
表面处理：金色（GOLD）■、青古铜（QGT）■

### MYB27110

Material: Brass;  
Lock Body: 8560 lock body, standard gourd-size cylinder;  
Application:  $\geq 35$ mm thick entrance door, double sash door, room door and passage door;  
Surface Finish: GOLD ■, QGT ■

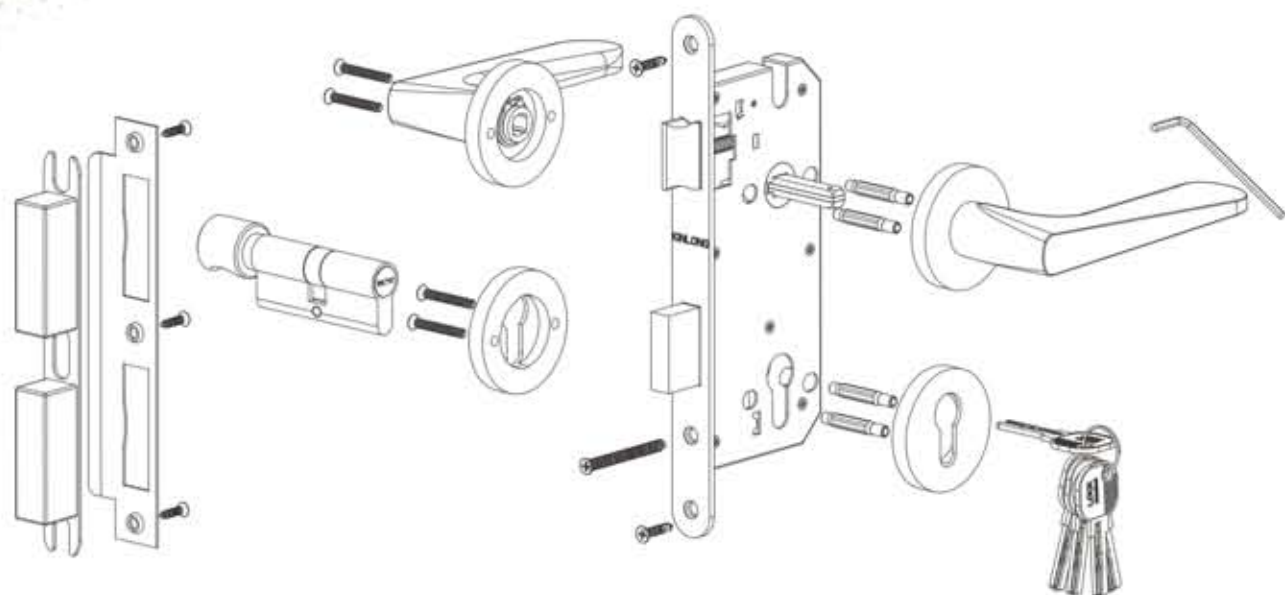


### MYB27155

材质：纯铜；  
标配：ST8560锁体，标准葫芦锁芯；  
适用：门厚35mm以上的入户门、双开门、房间门、通道门；  
表面处理：K金（KJ）■、青古铜（QGT）■

### MYB27155

Material: Brass;  
Lock Body: 8560 lock body, standard gourd-size cylinder;  
Application:  $\geq 35$ mm thick entrance door, double sash door, room door and passage door;  
Surface Finish: KJ ■, QGT ■



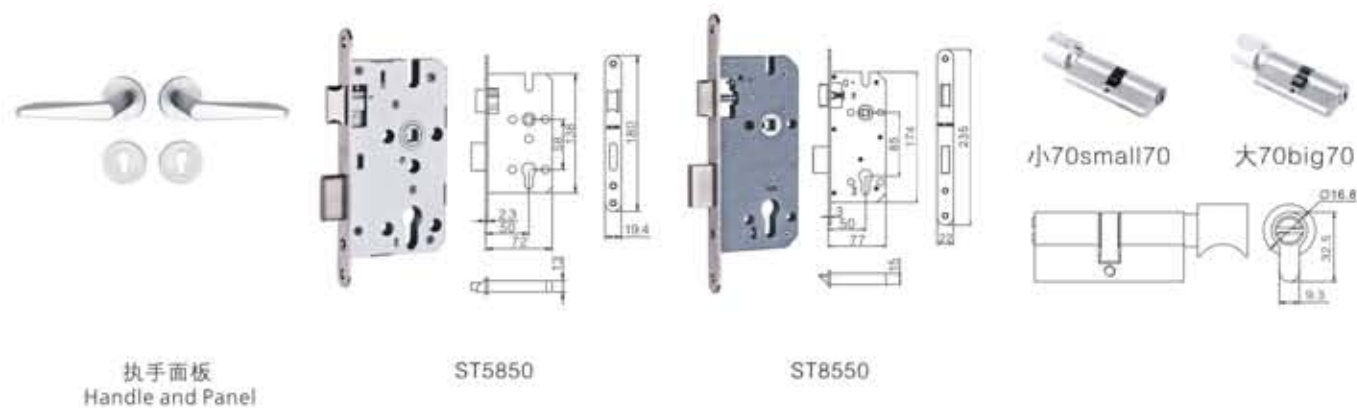
### 使用说明 Instruction

该锁平时不上锁，里外转动执手可轻松开门，起一般通道锁作用，方便出入。当在室外用钥匙上锁，锁舌可伸出两档达20mm以上，安全保险。此时，转动执手不能开门，必须用钥匙或在室内转动旋钮才能开门；在室内转动旋钮或用钥匙同样上锁后，转动执手不能开门，同样需要用钥匙或在室内转动旋钮开门。

The lock is usually available without being locked, can be open/closed easily by rotating the handle. The lock is very safe for the tongue can stretch more than 20mm locked outside by key, and must be opened by key outside or rotating the button inside. The same if closed by key or by rotating button inside.

### 产品出厂标准配置

Product factory standard configuration



### MYA2782

材质：铝合金；  
标配：ST5850锁体，小70锁芯（选配ST8550锁体，大70锁芯）；  
适用：门厚35mm以上的房门、卫浴门；  
表面处理：珍珠白（ZZB）

### MYA2782

Material: Aluminum alloy;  
Lock Body: 5850 lock body, small 70 lock cylinder (8550 lock body, big 70 cylinder is available);  
Application:  $\geq 35$ mm thick room door and bathroom door;  
Surface Treatment: Pearl white (ZZB)



### MYA27129

材质：铝合金；  
标配：ST5850锁体，小70锁芯（选配ST8550锁体，大70锁芯）；  
适用：门厚35mm以上的房门、卫浴门；  
表面处理：珍珠白（ZZB）

### MYA27129

Material: Aluminum alloy;  
Lock Body: 5850 lock body, small 70 lock cylinder (8550 lock body, big 70 cylinder is available);  
Application:  $\geq 35$ mm thick room door and bathroom door;  
Surface Treatment: Pearl white (ZZB)



### MYA27105

材质：铝合金；  
标配：ST5850锁体，小70锁芯（选配ST8550锁体，大70锁芯）；  
适用：门厚35mm以上的房门、卫浴门；  
表面处理：珍珠白（ZZB）

### MYA27105

Material: Aluminum alloy;  
Lock Body: 5850 lock body, small 70 lock cylinder (8550 lock body, big 70 cylinder is available);  
Application:  $\geq 35$ mm thick room door and bathroom door;  
Surface Treatment: Pearl white (ZZB)

# 不锈钢房门锁

## STAINLESS STEEL ROOM LOCK

坚朗不锈钢房门锁均由优质SUS304不锈钢冲压制作而成，外观精致，面板坚硬厚实，力学性能好；表面使用先进的表面处理工艺制作成不同的颜色，耐腐蚀永不褪色。

不锈钢房门锁依据ISO9001质量标准，在生产、销售、服务全过程中均受ISO9001质量监控，所有产品参数都符合插芯锁标准QB/T2474-2000，最大限度的满足于公共建筑设施、商建、住宅等多方位建筑要求。

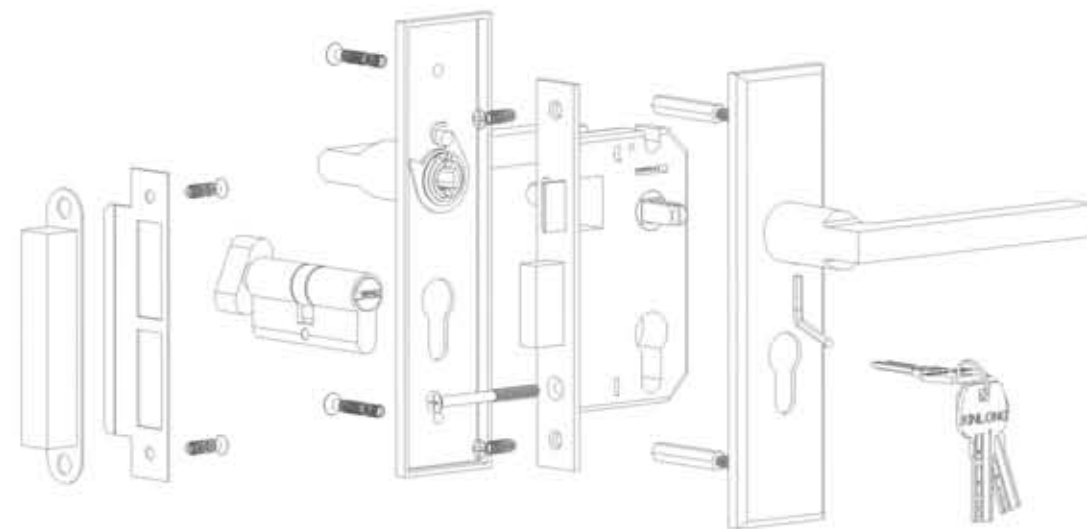
Kinlong's Stainless steel room locks are all stamped out with good quality of S.304. They have Exquisite outlook, hard and thick panel, and equipped with good mechanical property. With advanced treatment produce, it can be made into colored surface, which are wearable and never fade.

Stainless steel room locks are based on the ISO90001 quality standard. In the whole procedure of produce, sales and customer service, they all strictly monitored by ISO90001 and all the parameters meet QB/T2474-2000, which meets multi-requirements of public constructions, business buildings, and apartments in maximum degree.



### 不锈钢房门锁 MMS

STAINLESS STEEL ROOM LOCK MMS



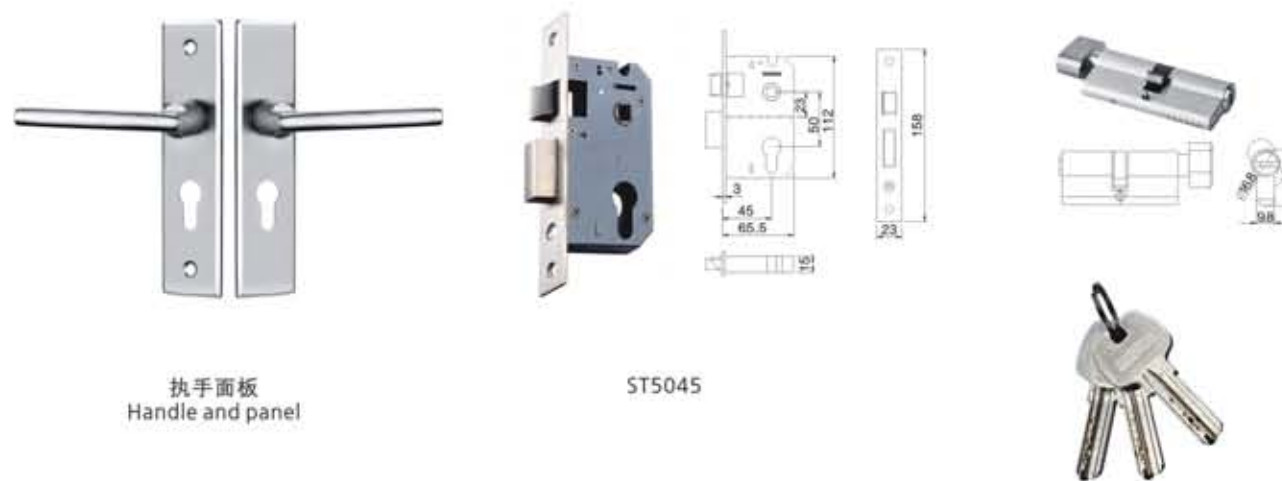
#### 使用说明 Instruction

该锁平时起一般通道锁作用，转动内外执手即可开门，出入方便。当在室外用钥匙上锁后，锁舌可伸出15mm，安全保险。此时转动执手不可开门，必须要钥匙或在室内转动旋钮才能开门；在室内转动旋钮或用钥匙同样上锁后，转动执手不能开门，同样需要用钥匙或在室内转动旋钮开门。

Usually used for access lock, rotating handle inside or outside can open the door for simple utility, locked from outside by key, dead bolt launch to 15mm, can only be opened by key or knob inside, instead of only rotating the handle.

#### 产品出厂标准配置

Product factory standard configuration



执手面板  
Handle and panel

ST5045



### MMS1985D

材质: 304不锈钢;  
标配: ST5045锁体, 标准葫芦锁芯;  
适用: 门厚35mm-48mm的房门、双开门、通道门;  
表面处理: 钢拉丝 (GLS) ■

### MMS1985D

Material: Stainless steel 304;  
Lock Body: lock body ST5045, standard gourd-size cylinder;  
Application: 35mm-48mm thick room door, double sash door and passage door;  
Surface Finish: GLS ■



### MMS03133D

材质: 304不锈钢;  
标配: ST5045锁体, 标准葫芦锁芯;  
适用: 门厚35mm-48mm的房门、双开门、通道门;  
表面处理: 钢拉丝 (GLS) ■

### MMS03133D

Material: Stainless steel 304;  
Lock Body: lock body ST5045, standard gourd-size cylinder;  
Application: 35mm-48mm thick room door, double sash door and passage door;  
Surface Finish: GLS ■



### MMS19132D

材质: 304不锈钢;  
标配: ST5045锁体, 标准葫芦锁芯;  
适用: 门厚35mm-48mm的房门、双开门、通道门;  
表面处理: 钢拉丝 (GLS) ■

### MMS19132D

Material: Stainless steel 304;  
Lock Body: lock body ST5045, standard gourd-size cylinder;  
Application: 35mm-48mm thick room door, double sash door and passage door;  
Surface Finish: GLS ■



### MMS03105D

材质: 304不锈钢;  
标配: ST5045锁体, 标准葫芦锁芯;  
适用: 门厚35mm-48mm的房门、双开门、通道门;  
表面处理: 钢拉丝 (GLS) ■

### MMS03105D

Material: Stainless steel 304;  
Lock Body: lock body ST5045, standard gourd-size cylinder;  
Application: 35mm-48mm thick room door, double sash door and passage door;  
Surface Finish: GLS ■



### MMS1907D

材质: 304不锈钢;  
标配: ST5045锁体, 标准葫芦锁芯;  
适用: 门厚35mm-48mm的房门、双开门、通道门;  
表面处理: 钢拉丝 (GLS) ■

### MMS1907D

Material: Stainless steel 304;  
Lock Body: lock body ST5045, standard gourd-size cylinder;  
Application: 35mm-48mm thick room door, double sash door and passage door;  
Surface Finish: GLS ■

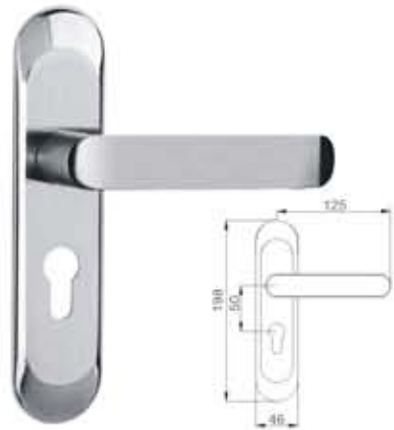


### MMS0385D

材质: 304不锈钢;  
标配: ST5045锁体, 标准葫芦锁芯;  
适用: 门厚35mm-48mm的房门、双开门、通道门;  
表面处理: 钢拉丝 (GLS) ■

### MMS0385D

Material: Stainless steel 304;  
Lock Body: lock body ST5045, standard gourd-size cylinder;  
Application: 35mm-48mm thick room door, double sash door and passage door;  
Surface Finish: GLS ■



#### MMS11703D

材质: 304不锈钢;  
标配: ST5045锁体, 标准葫芦锁芯;  
适用: 门厚35mm-48mm的房门、双开门、通道门;  
表面处理: 钢拉丝 (GLS) ■

#### MMS11703D

Material: Stainless steel 304;  
Lock Body: lock body ST5045, standard gourd-size cylinder;  
Application: 35mm-48mm thick room door, double sash door and passage door;  
Surface Finish: GLS ■



#### MMS0607D

材质: 304不锈钢;  
标配: ST5045锁体, 标准葫芦锁芯;  
适用: 门厚35mm-48mm的房门、双开门、通道门;  
表面处理: 钢拉丝 (GLS) ■

#### MMS0607D

Material: Stainless steel 304;  
Lock Body: lock body ST5045, standard gourd-size cylinder;  
Application: 35mm-48mm thick room door, double sash door and passage door;  
Surface Finish: GLS ■



#### MMS117134D

材质: 304不锈钢;  
标配: ST5045锁体, 标准葫芦锁芯;  
适用: 门厚35mm-48mm的房门、双开门、通道门;  
表面处理: 钢拉丝 (GLS) ■

#### MMS117134D

Material: Stainless steel 304;  
Lock Body: lock body ST5045, standard gourd-size cylinder;  
Application: 35mm-48mm thick room door, double sash door and passage door;  
Surface Finish: GLS ■



#### MMS0613D

材质: 304不锈钢;  
标配: ST5045锁体, 标准葫芦锁芯;  
适用: 门厚35mm-48mm的房门、双开门、通道门;  
表面处理: 钢拉丝 (GLS) ■

#### MMS0613D

Material: Stainless steel 304;  
Lock Body: lock body ST5045, standard gourd-size cylinder;  
Application: 35mm-48mm thick room door, double sash door and passage door;  
Surface Finish: GLS ■



#### MMS117132D

材质: 304不锈钢;  
标配: ST5045锁体, 标准葫芦锁芯;  
适用: 门厚35mm-48mm的房门、双开门、通道门;  
表面处理: 钢拉丝 (GLS) ■

#### MMS117132D

Material: Stainless steel 304;  
Lock Body: lock body ST5045, standard gourd-size cylinder;  
Application: 35mm-48mm thick room door, double sash door and passage door;  
Surface Finish: GLS ■

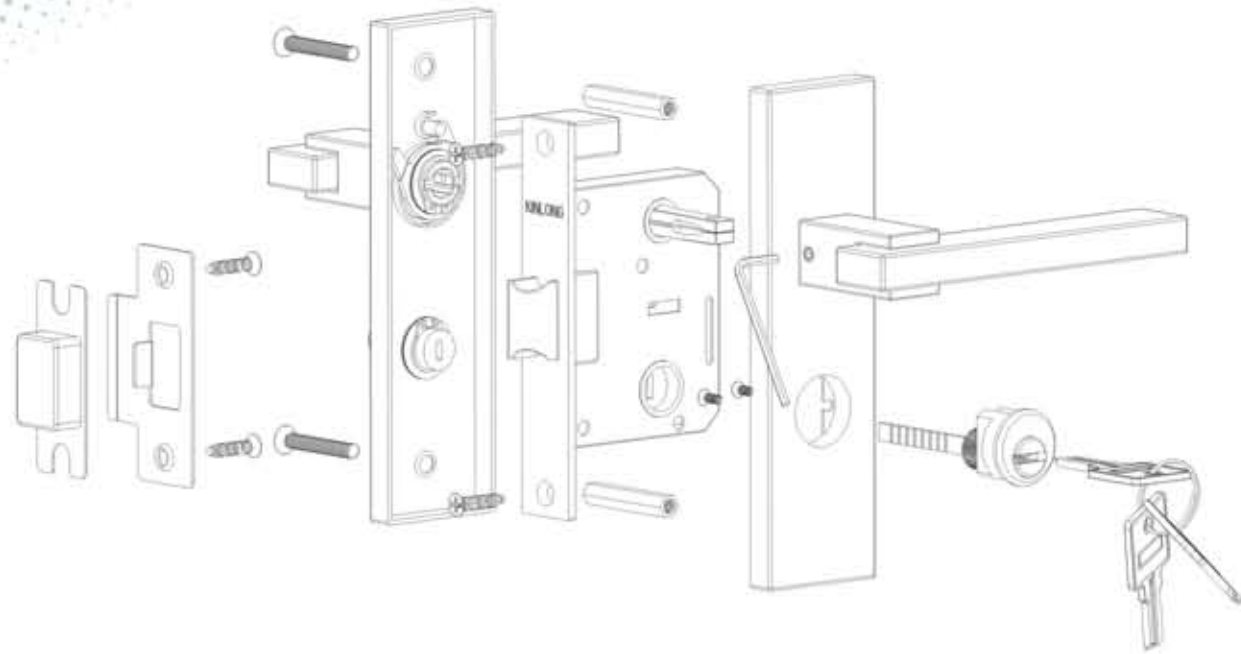


#### MMS06143D

材质: 304不锈钢;  
标配: ST5045锁体, 标准葫芦锁芯;  
适用: 门厚35mm-48mm的房门、双开门、通道门;  
表面处理: 钢拉丝 (GLS) ■

#### MMS06143D

Material: Stainless steel 304;  
Lock Body: lock body ST5045, standard gourd-size cylinder;  
Application: 35mm-48mm thick room door, double sash door and passage door;  
Surface Finish: GLS ■



### 使用说明 Instruction

该锁平时起一般通道锁作用，转动内外执手即可开门，出入方便。当在室外用钥匙上锁后，室内外执手不能转动，必须用钥匙或转动室内旋钮才能开门；如转动室内旋钮上锁后，同样要用此方法开门。

Usually the lock is used as passage lock which can be open/closed easily by rotating the handle. Locked by key outside or by rotating the knob inside, it must be opened by key or by knob inside.

### 产品出厂标准配置

Product factory standard configuration



### MRS0101E

材质：304不锈钢；  
标配：ST5745锁体，5745锁头；  
适用：门厚35mm-48mm的房门、双开门、通道门；  
表面处理：钢拉丝 (GLS) ■、青古铜 (QGT) ■、金色PVD(PVD) ■

### MRS0101E

Material: Stainless steel 304;  
Lock Body: ST5745 lock body, 5745 lock head ;  
Application: 35mm-48mm thick room door, double sash door and passage door;  
Surface Finish: GLS ■, QGT ■, PVD/ Golden ■



### MRS0170E

材质：304不锈钢；  
标配：ST5745锁体，5745锁头；  
适用：门厚35mm-48mm的房门、双开门、通道门；  
表面处理：钢拉丝 (GLS) ■、青古铜 (QGT) ■、金色PVD(PVD) ■

### MRS0170E

Material: Stainless steel 304;  
Lock Body: ST5745 lock body, 5745 lock head ;  
Application: 35mm-48mm thick room door, double sash door and passage door;  
Surface Finish: GLS ■, QGT ■, PVD/ Golden ■



### MRS0332E

材质：304不锈钢；  
标配：ST5745锁体，5745锁头；  
适用：门厚35mm-48mm的房门、双开门、通道门；  
表面处理：钢拉丝 (GLS) ■、青古铜 (QGT) ■、金色PVD(PVD) ■

### MRS0332E

Material: Stainless steel 304;  
Lock Body: ST5745 lock body, 5745 lock head ;  
Application: 35mm-48mm thick room door, double sash door and passage door;  
Surface Finish: GLS ■, QGT ■, PVD/ Golden ■



### MRS04135E

材质：304不锈钢；  
标配：ST5745锁体，5745锁头；  
适用：门厚35mm-48mm的房门、双开门、通道门；  
表面处理：钢拉丝 (GLS) ■、青古铜 (QGT) ■、金色PVD(PVD) ■

### MRS04135E

Material: Stainless steel 304;  
Lock Body: ST5745 lock body, 5745 lock head ;  
Application: 35mm-48mm thick room door, double sash door and passage door;  
Surface Finish: GLS ■, QGT ■, PVD/ Golden ■

锌合金房门锁 MM  
ZINC ALLOY ROOM LOCK MM



MRS0603E

材质: 304不锈钢;  
标配: ST5745锁体, 5745锁头;  
适用: 门厚35mm-48mm的房门、双开门、通道门;  
表面处理: 钢拉丝 (GLS) ■、青古铜 (QGT) ■、金色PVD(PVD) ■

MRS0603E

Material: Stainless steel 304;  
Lock Body: ST5745 lock body, 5745 lock head ;  
Application: 35mm-48mm thick room door, double sash door and passage door;  
Surface Finish: GLS ■, QGT ■, PVD/ Golden ■



MRS0607E

材质: 304不锈钢;  
标配: ST5745锁体, 5745锁头;  
适用: 门厚35mm-48mm的房门、双开门、通道门;  
表面处理: 钢拉丝 (GLS) ■、青古铜 (QGT) ■、金色PVD(PVD) ■

MRS0607E

Material: Stainless steel 304;  
Lock Body: ST5745 lock body, 5745 lock head ;  
Application: 35mm-48mm thick room door, double sash door and passage door;  
Surface Finish: GLS ■, QGT ■, PVD/ Golden ■



MRS105119E

材质: 304不锈钢;  
标配: ST5745锁体, 5745锁头;  
适用: 门厚35mm-48mm的房门、双开门、通道门;  
表面处理: 钢拉丝 (GLS) ■、青古铜 (QGT) ■、金色PVD(PVD) ■

MRS105119E

Material: Stainless steel 304;  
Lock Body: ST5745 lock body, 5745 lock head ;  
Application: 35mm-48mm thick room door, double sash door and passage door;  
Surface Finish: GLS ■, QGT ■, PVD/ Golden ■

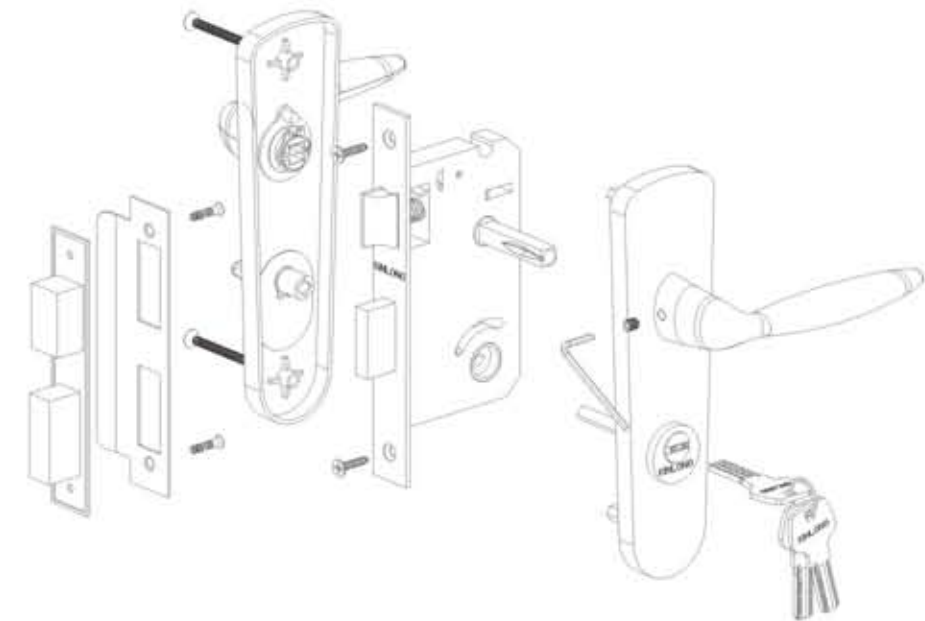


MRS105144E

材质: 304不锈钢;  
标配: ST5745锁体, 5745锁头;  
适用: 门厚35mm-48mm的房门、双开门、通道门;  
表面处理: 钢拉丝 (GLS) ■、青古铜 (QGT) ■、金色PVD(PVD) ■

MRS105144E

Material: Stainless steel 304;  
Lock Body: ST5745 lock body, 5745 lock head ;  
Application: 35mm-48mm thick room door, double sash door and passage door;  
Surface Finish: GLS ■, QGT ■, PVD/ Golden ■



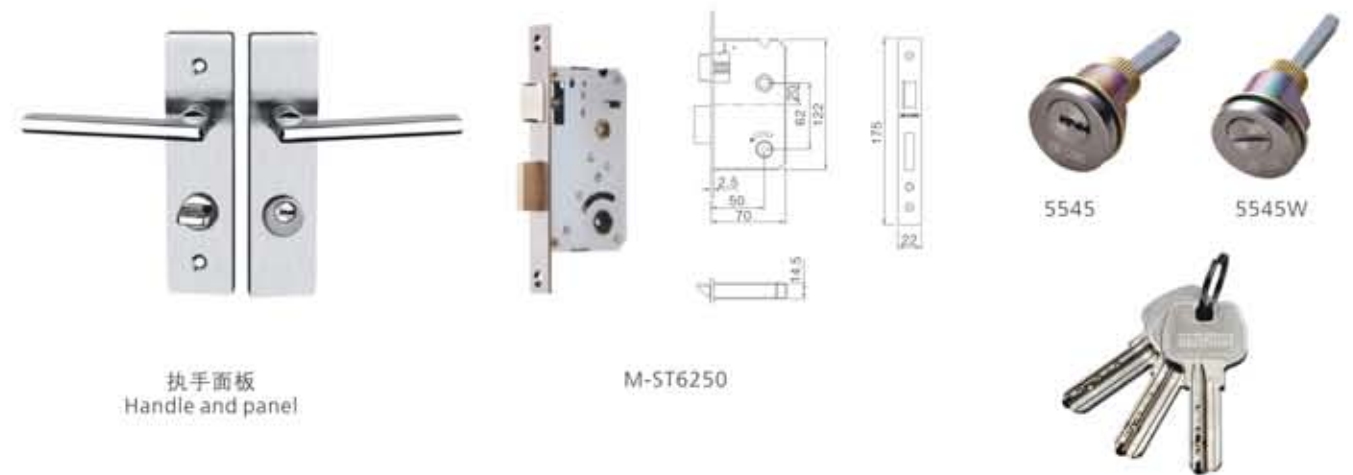
使用说明 Instruction

该锁平时起一般通道作用, 内外转动执手, 即可开门, 方便出入。在室外, 用钥匙或外执手反提都可上锁, 转动室内外执手不能开门, 起防盗锁功能, 用钥匙解锁或在室内转动旋钮后, 转动执手即可开门。在室内, 转动旋钮或内执手反提都可上锁, 转动室内外执手不能开门, 安全保险。只有当室外用钥匙解锁或室内转动旋钮解除保险, 才能转动内外执手开门。本锁执手反提上锁机构结构简单, 设计巧妙, 安全可靠。克服了类似功能锁使用时间长后功能失效的弊病。MM系列门锁分为房门锁 (MMF) 和卫浴锁 (MMW) 两种。

Usually handle is available without being locked. Open door with key or by rotating the bottom indoor when locked with key or by counter-lifting handle. And rotating handle is unavailable. Simple structure but skillfull design for long lifecycle. Suitable for visible position of the door hinges on the left and right\* open outward and inward door. MM series door lock consists of room lock (MMF) and bathroom lock (MMW).

产品出厂标准配置

Product factory standard configuration



执手面板  
Handle and panel

M-ST6250

5545

5545W



### MMF0804

材质: 锌合金;  
标配: M-ST6250锁体, 5545锁头(做卫浴锁时选配5545W锁头);  
适用: 门厚35mm-48mm的房门、卫浴门、办公室门;  
特点: 平时通道, 内外执手反提上锁;  
表面处理: 镍拉丝 (NLS) ■、K金 (KJ) ■、青古铜 (QGT) ■

### MMF0804

Material: Zinc Alloy;  
Lock Body: M-ST6250 lock body, 5545 lock head (5545W lock head is used for bathroom lock);  
Application: 35mm-48mm thick room door, bathroom door and office door;  
Characteristics: Could be locked easily by lifting the handle inside or outside;  
Surface finish: NLS ■, KJ ■, QGT ■



### MMF0202

材质: 锌合金;  
标配: M-ST6250锁体, 5545锁头(做卫浴锁时选配5545W锁头);  
适用: 门厚35mm-48mm的房门、卫浴门、办公室门;  
特点: 平时通道, 内外执手反提上锁;  
表面处理: 镍拉丝 (NLS) ■、K金 (KJ) ■、青古铜 (QGT) ■

### MMF0202

Material: Zinc Alloy;  
Lock Body: M-ST6250 lock body, 5545 lock head (5545W lock head is used for bathroom lock);  
Application: 35mm-48mm thick room door, bathroom door and office door;  
Characteristics: Could be locked easily by lifting the handle inside or outside;  
Surface finish: NLS ■, KJ ■, QGT ■



### MMF0603

材质: 锌合金;  
标配: M-ST6250锁体, 5545锁头(做卫浴锁时选配5545W锁头);  
适用: 门厚35mm-48mm的房门、卫浴门、办公室门;  
特点: 平时通道, 内外执手反提上锁;  
表面处理: 镍拉丝 (NLS) ■、K金 (KJ) ■、青古铜 (QGT) ■

### MMF0603

Material: Zinc Alloy;  
Lock Body: M-ST6250 lock body, 5545 lock head (5545W lock head is used for bathroom lock);  
Application: 35mm-48mm thick room door, bathroom door and office door;  
Characteristics: Could be locked easily by lifting the handle inside or outside;  
Surface finish: NLS ■, KJ ■, QGT ■



### MMF0407

材质: 锌合金;  
标配: M-ST6250锁体, 5545锁头(做卫浴锁时选配5545W锁头);  
适用: 门厚35mm-48mm的房门、卫浴门、办公室门;  
特点: 平时通道, 内外执手反提上锁;  
表面处理: 镍拉丝 (NLS) ■、K金 (KJ) ■、青古铜 (QGT) ■

### MMF0407

Material: Zinc Alloy;  
Lock Body: M-ST6250 lock body, 5545 lock head (5545W lock head is used for bathroom lock);  
Application: 35mm-48mm thick room door, bathroom door and office door;  
Characteristics: Could be locked easily by lifting the handle inside or outside;  
Surface finish: NLS ■, KJ ■, QGT ■



### MMF0109

材质: 锌合金;  
标配: M-ST6250锁体, 5545锁头(做卫浴锁时选配5545W锁头);  
适用: 门厚35mm-48mm的房门、卫浴门、办公室门;  
特点: 平时通道, 内外执手反提上锁;  
表面处理: 镍拉丝 (NLS) ■、K金 (KJ) ■、青古铜 (QGT) ■

### MMF0109

Material: Zinc Alloy;  
Lock Body: M-ST6250 lock body, 5545 lock head (5545W lock head is used for bathroom lock);  
Application: 35mm-48mm thick room door, bathroom door and office door;  
Characteristics: Could be locked easily by lifting the handle inside or outside;  
Surface finish: NLS ■, KJ ■, QGT ■



### MMF0504

材质: 锌合金;  
标配: M-ST6250锁体, 5545锁头(做卫浴锁时选配5545W锁头);  
适用: 门厚35mm-48mm的房门、卫浴门、办公室门;  
特点: 平时通道, 内外执手反提上锁;  
表面处理: 镍拉丝 (NLS) ■、K金 (KJ) ■、青古铜 (QGT) ■

### MMF0504

Material: Zinc Alloy;  
Lock Body: M-ST6250 lock body, 5545 lock head (5545W lock head is used for bathroom lock);  
Application: 35mm-48mm thick room door, bathroom door and office door;  
Characteristics: Could be locked easily by lifting the handle inside or outside;  
Surface finish: NLS ■, KJ ■, QGT ■



### MMF0253

材质: 锌合金;  
标配: M-ST6250锁体, 5545锁头(做卫浴锁时选配5545W锁头);  
适用: 门厚35mm-48mm的房门、卫浴门、办公室门;  
特点: 平时通道, 内外执手反提上锁;  
表面处理: 镍拉丝 (NLS) ■、K金 (KJ) ■、青古铜 (QGT) ■

### MMF0253

Material: Zinc Alloy;  
Lock Body: M-ST6250 lock body, 5545 lock head (5545W lock head is used for bathroom lock);  
Application: 35mm-48mm thick room door, bathroom door and office door;  
Characteristics: Could be locked easily by lifting the handle inside or outside;  
Surface finish: NLS ■, KJ ■, QGT ■



### MMF0708

材质: 锌合金;  
标配: M-ST6250锁体, 5545锁头(做卫浴锁时选配5545W锁头);  
适用: 门厚35mm-48mm的房门、卫浴门、办公室门;  
特点: 平时通道, 内外执手反提上锁;  
表面处理: 镍拉丝 (NLS) ■、K金 (KJ) ■、青古铜 (QGT) ■

### MMF0708

Material: Zinc Alloy;  
Lock Body: M-ST6250 lock body, 5545 lock head (5545W lock head is used for bathroom lock);  
Application: 35mm-48mm thick room door, bathroom door and office door;  
Characteristics: Could be locked easily by lifting the handle inside or outside;  
Surface finish: NLS ■, KJ ■, QGT ■



### MMF0305

材质: 锌合金;  
标配: M-ST6250锁体, 5545锁头(做卫浴锁时选配5545W锁头);  
适用: 门厚35mm-48mm的房门、卫浴门、办公室门;  
特点: 平时通道, 内外执手反提上锁;  
表面处理: 镍拉丝 (NLS) ■、K金 (KJ) ■、青古铜 (QGT) ■

### MMF0305

Material: Zinc Alloy;  
Lock Body: M-ST6250 lock body, 5545 lock head (5545W lock head is used for bathroom lock);  
Application: 35mm-48mm thick room door, bathroom door and office door;  
Characteristics: Could be locked easily by lifting the handle inside or outside;  
Surface finish: NLS ■, KJ ■, QGT ■



### MMF0909

材质: 锌合金;  
标配: M-ST6250锁体, 5545锁头(做卫浴锁时选配5545W锁头);  
适用: 门厚35mm-48mm的房门、卫浴门、办公室门;  
特点: 平时通道, 内外执手反提上锁;  
表面处理: 镍拉丝 (NLS) ■、K金 (KJ) ■、青古铜 (QGT) ■

### MMF0909

Material: Zinc Alloy;  
Lock Body: M-ST6250 lock body, 5545 lock head (5545W lock head is used for bathroom lock);  
Application: 35mm-48mm thick room door, bathroom door and office door;  
Characteristics: Could be locked easily by lifting the handle inside or outside;  
Surface finish: NLS ■, KJ ■, QGT ■



### MMF0605

材质: 锌合金;  
标配: M-ST6250锁体, 5545锁头(做卫浴锁时选配5545W锁头);  
适用: 门厚35mm-48mm的房门、卫浴门、办公室门;  
特点: 平时通道, 内外执手反提上锁;  
表面处理: 镍拉丝 (NLS) ■、K金 (KJ) ■、青古铜 (QGT) ■

### MMF0605

Material: Zinc Alloy;  
Lock Body: M-ST6250 lock body, 5545 lock head (5545W lock head is used for bathroom lock);  
Application: 35mm-48mm thick room door, bathroom door and office door;  
Characteristics: Could be locked easily by lifting the handle inside or outside;  
Surface finish: NLS ■, KJ ■, QGT ■



### MMF0101

材质: 锌合金;  
标配: M-ST6250锁体, 5545锁头(做卫浴锁时选配5545W锁头);  
适用: 门厚35mm-48mm的房门、卫浴门、办公室门;  
特点: 平时通道, 内外执手反提上锁;  
表面处理: 镍拉丝 (NLS) ■、K金 (KJ) ■、青古铜 (QGT) ■

### MMF0101

Material: Zinc Alloy;  
Lock Body: M-ST6250 lock body, 5545 lock head (5545W lock head is used for bathroom lock);  
Application: 35mm-48mm thick room door, bathroom door and office door;  
Characteristics: Could be locked easily by lifting the handle inside or outside;  
Surface finish: NLS ■, KJ ■, QGT ■

## 锌合金房门锁 ZINC ALLOY ROOM LOCK

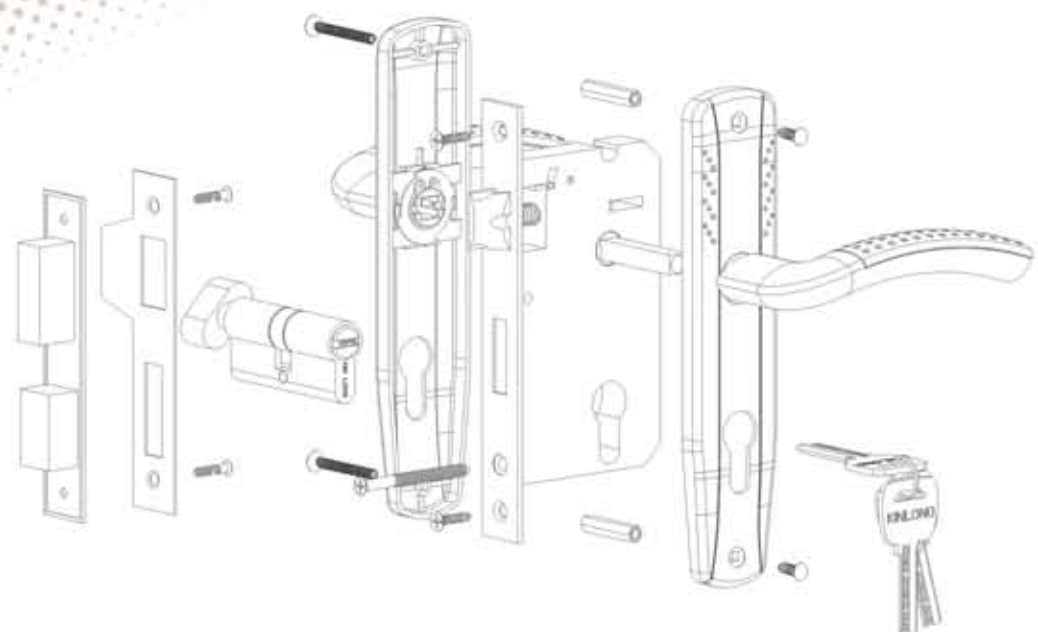
坚朗锌合金房门锁是选用高质量的锌合金一次压铸成型，内部组织细密，机械性能好，外观涵盖中欧美等款式，功能齐全，质感好；表面采用先进的电镀处理工艺电镀，耐磨永不褪色。

锌合金房门锁依据ISO9001质量标准，在生产、销售、服务全过程中均受ISO9001质量监控，所有产品参数都符合插芯锁标准QBT2474-2000,最大限度的满足于公共建筑设施、商建、住宅等多方位建筑要求。

Kinlong's Zinc alloy room locks are Disposable Die-castes with high quality Zinc alloy. It has various types and multi-functions and good mechanical property. Its surface treatment adopts natural brush or Electroplating, which makes it wearable and never fades.

Zinc alloy room locks are based on the ISO90001 quality standard. In the whole procedure of produce, sales and customer service, they all strictly monitored by ISO90001 and all the parameters meet QBT2474-2000, which meets multi-requirements of public constructions, business buildings, and apartments in maximum degree.





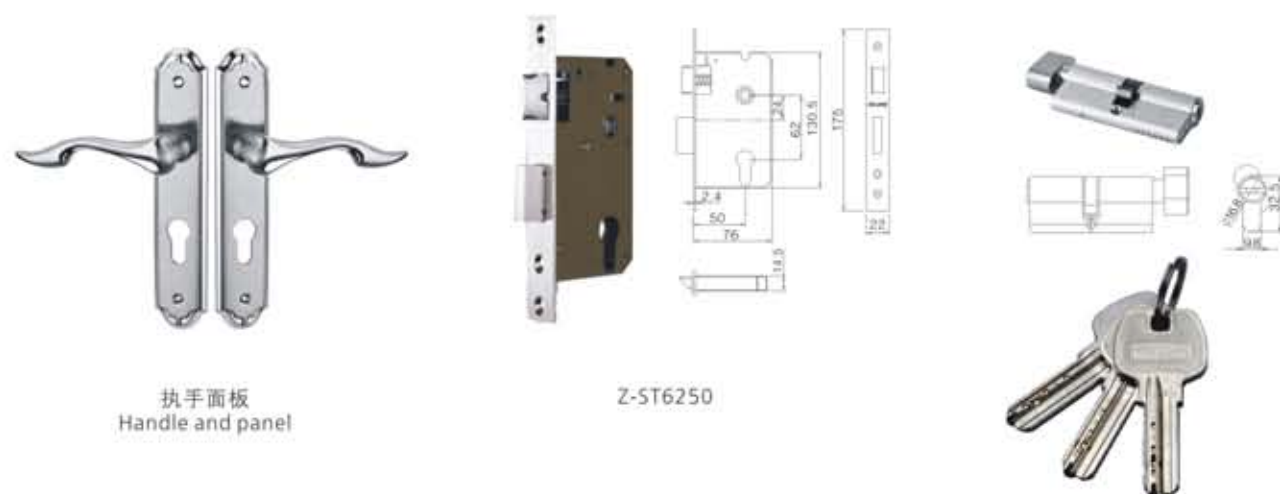
### 使用说明 Instruction

该锁平时不上锁，里外转动执手可轻松开门，起一般通道锁作用，方便出入。当在室外用钥匙上锁，锁舌可伸出两档达20mm以上，安全保险。此时，转动执手不能开门，必须用钥匙或在室内转动旋钮才能开门；在室内转动旋钮或用钥匙同样上锁后，转动执手不能开门，同样需要用钥匙或在室内转动旋钮开门。

The lock is usually available without being locked, can be open/closed easily by rotating the handle. The lock is very safe for the tongue can stretch more than 20mm when locked outside by key, and must be opened by key outside or rotating the button inside. The same if closed by key or by rotating button inside.

### 产品出厂标准配置

Product factory standard configuration



### MZ2132

材质：锌合金；  
标配：Z-ST6250锁体，标准葫芦锁芯；  
适用：门厚35mm-48mm的房门、卫浴门、双开门、办公室门；  
表面处理：镍拉丝 (NLS) ■、K金 (KJ) ■、青古铜 (QGT) ■

### MZ2132

Material: Zinc alloy;  
Lock Body: lock body Z-ST6250, standard gourd-size cylinder;  
Application: 35mm-48mm thick room door, bathroom door, double sash door and office door;  
Surface Finish: NLS ■, KJ ■, QGT ■



### MZ1954

材质：锌合金；  
标配：Z-ST6250锁体，标准葫芦锁芯；  
适用：门厚35mm-48mm的房门、卫浴门、双开门、办公室门；  
表面处理：镍拉丝 (NLS) ■、K金 (KJ) ■、青古铜 (QGT) ■

### MZ1954

Material: Zinc alloy;  
Lock Body: lock body Z-ST6250, standard gourd-size cylinder;  
Application: 35mm-48mm thick room door, bathroom door, double sash door and office door;  
Surface Finish: NLS ■, KJ ■, QGT ■



### MZ1628

材质：锌合金；  
标配：Z-ST6250锁体，标准葫芦锁芯；  
适用：门厚35mm-48mm的房门、卫浴门、双开门、办公室门；  
表面处理：镍拉丝 (NLS) ■、K金 (KJ) ■、青古铜 (QGT) ■

### MZ1628

Material: Zinc alloy;  
Lock Body: lock body Z-ST6250, standard gourd-size cylinder;  
Application: 35mm-48mm thick room door, bathroom door, double sash door and office door;  
Surface Finish: NLS ■, KJ ■, QGT ■



### MZ117161

材质: 锌合金;  
标配: Z-ST6250锁体, 标准葫芦锁芯;  
适用: 门厚35mm-48mm的房门、卫浴门、双开门、办公室门;  
表面处理: 镍拉丝 (NLS) ■、K金 (KJ) ■、青古铜 (QGT) ■

### MZ117161

Material: Zinc alloy;  
Lock Body: lock body Z-ST6250, standard gourd-size cylinder;  
Application: 35mm-48mm thick room door, bathroom door, double sash door and office door;  
Surface Finish: NLS ■, KJ ■, QGT ■



### MZ0407

材质: 锌合金;  
标配: Z-ST6250锁体, 标准葫芦锁芯;  
适用: 门厚35mm-48mm的房门、卫浴门、双开门、办公室门;  
表面处理: 镍拉丝 (NLS) ■、K金 (KJ) ■、青古铜 (QGT) ■

### MZ0407

Material: Zinc alloy;  
Lock Body: lock body Z-ST6250, standard gourd-size cylinder;  
Application: 35mm-48mm thick room door, bathroom door, double sash door and office door;  
Surface Finish: NLS ■, KJ ■, QGT ■



### MZ157182

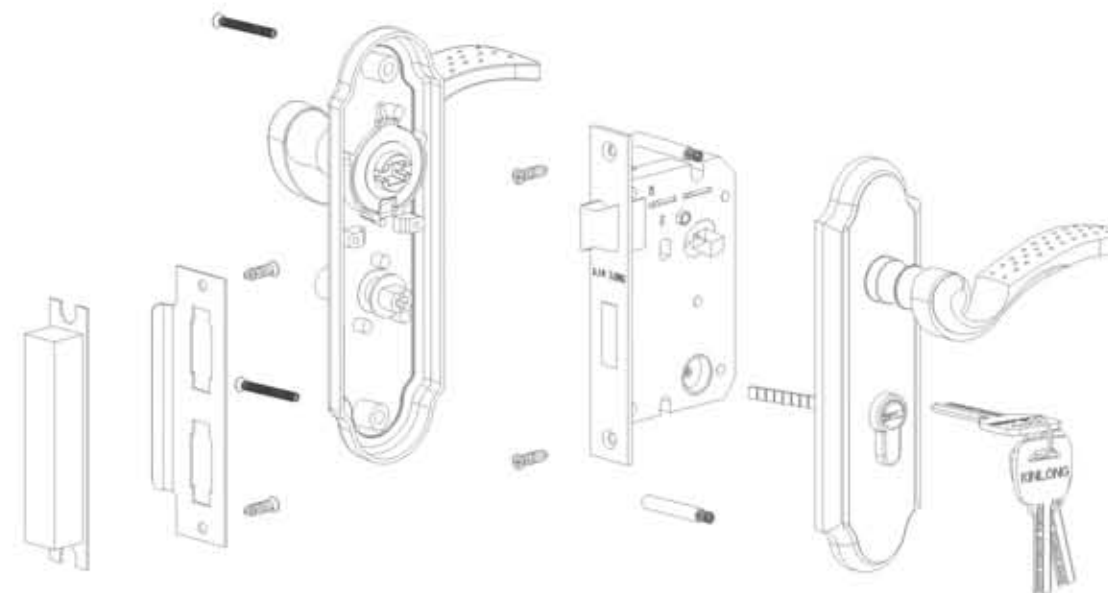
材质: 锌合金;  
标配: Z-ST6250锁体, 标准葫芦锁芯;  
适用: 门厚35mm-48mm的房门、卫浴门、双开门、办公室门;  
表面处理: 镍拉丝 (NLS) ■、K金 (KJ) ■、青古铜 (QGT) ■

### MZ157182

Material: Zinc alloy;  
Lock Body: lock body Z-ST6250, standard gourd-size cylinder;  
Application: 35mm-48mm thick room door, bathroom door, double sash door and office door;  
Surface Finish: NLS ■, KJ ■, QGT ■

## 锌合金房门锁 ME

ZINC ALLOY DOOR LOCK ME



### 使用说明 Instruction

该锁平时起一般通道锁作用, 转动内外的执手即可开门。本产品还具有反提上锁功能, 外出时不用钥匙锁门, 只需将执手轻轻上提, 方舌伸出, 方便快捷; 如不需要这一功能则只需配用配套的螺钉, 插入执手孔边上对应的螺钉孔, 拧紧螺母即可。而室内执手更具有快速逃生功能, 在房内不需转动保险钮, 只需将执手往下压, 房门即可打开 (即斜舌、方舌同时打开)。此功能的特点是为了防止房内发生特殊情况方便逃生而设计的。

The lock is usually played general role of channel locks, turning the inside and outside handle to open the door. This product also has anti-mentioned locking function, do not have the key to lock the door when then go out, simply handle gently lift the square tongue protruding, convenient, do not need this feature you can simply supporting screws inserted into the executive corresponding screw holes in the edge of the hand hole, tighten the nut, indoor handle quick escape in a room and do not need to turn the safety button, just down the handle-pressure, the door you can open (ie the oblique tongue, the tongue open at the same time). The characteristics of this feature is designed to facilitate escape in order to prevent the special situation occurs in the room.

### 产品出厂标准配置

Product factory standard configuration



执手面板  
Handle and panel

E-ST6550

E-6550



### ME118151B

材质: 锌合金;  
标配: E-ST6550锁体, E-6550锁头;  
适用: 门厚35mm-48mm的房门、双开门;  
特点: 平时通道, 内外执手反提上锁, 室内执手紧急逃生;  
表面处理: 镍拉丝 (NLS) ■■

### ME118151B

Material: Zinc alloy;  
Lock Body: lock body E-ST6550, E-6550 locking head;  
Application: 35mm-48mm thick room door and double sash door;  
Features: The locked easily by lifting the handle inside or outside, pressure the handle inside for emergency escape;  
Surface Finish: NLS ■■



### ME117161B

材质: 锌合金;  
标配: E-ST6550锁体, E-6550锁头;  
适用: 门厚35mm-48mm的房门、双开门;  
特点: 平时通道, 内外执手反提上锁, 室内执手紧急逃生;  
表面处理: 镍拉丝 (NLS) ■■

### ME117161B

Material: Zinc alloy;  
Lock Body: lock body E-ST6550, E-6550 locking head;  
Application: 35mm-48mm thick room door and double sash door;  
Features: The locked easily by lifting the handle inside or outside, pressure the handle inside for emergency escape;  
Surface Finish: NLS ■■



### ME104067B

材质: 锌合金;  
标配: E-ST6550锁体, E-6550锁头;  
适用: 门厚35mm-48mm的房门、双开门;  
特点: 平时通道, 内外执手反提上锁, 室内执手紧急逃生;  
表面处理: 镍拉丝 (NLS) ■■

### ME104067B

Material: Zinc alloy;  
Lock Body: lock body E-ST6550, E-6550 locking head;  
Application: 35mm-48mm thick room door and double sash door;  
Features: The locked easily by lifting the handle inside or outside, pressure the handle inside for emergency escape;  
Surface Finish: NLS ■■



### ME100111B

材质: 锌合金;  
标配: E-ST6550锁体, E-6550锁头;  
适用: 门厚35mm-48mm的房门、双开门;  
特点: 平时通道, 内外执手反提上锁, 室内执手紧急逃生;  
表面处理: K金 (KJ) ■■, 青古铜 (OGT) ■■

### ME100111B

Material: Zinc alloy;  
Lock Body: lock body E-ST6550, E-6550 locking head;  
Application: 35mm-48mm thick room door and double sash door;  
Features: The locked easily by lifting the handle inside or outside, pressure the handle inside for emergency escape;  
Surface Finish: KJ ■■, OGT ■■



### ME104074B

材质: 锌合金;  
标配: E-ST6550锁体, E-6550锁头;  
适用: 门厚35mm-48mm的房门、双开门;  
特点: 平时通道, 内外执手反提上锁, 室内执手紧急逃生;  
表面处理: 镍拉丝 (NLS) ■■

### ME104074B

Material: Zinc alloy;  
Lock Body: lock body E-ST6550, E-6550 locking head;  
Application: 35mm-48mm thick room door and double sash door;  
Features: The locked easily by lifting the handle inside or outside, pressure the handle inside for emergency escape;  
Surface Finish: NLS ■■



### ME101111B

材质: 锌合金;  
标配: E-ST6550锁体, E-6550锁头;  
适用: 门厚35mm-48mm的房门、双开门;  
特点: 平时通道, 内外执手反提上锁, 室内执手紧急逃生;  
表面处理: K金 (KJ) ■■, 青古铜 (OGT) ■■

### ME101111B

Material: Zinc alloy;  
Lock Body: lock body E-ST6550, E-6550 locking head;  
Application: 35mm-48mm thick room door and double sash door;  
Features: The locked easily by lifting the handle inside or outside, pressure the handle inside for emergency escape;  
Surface Finish: KJ ■■, OGT ■■



### ME100110B

材质：锌合金；  
标配：E-ST6550锁体，E-6550锁头；  
适用：门厚35mm-48mm的房门、双开门；  
特点：平时通道，内外执手反提上锁，室内执手紧急逃生；  
表面处理：K金（KJ）■、青古铜（QGT）■

### ME100110B

Material: Zinc alloy;  
Lock Body: lock body E-ST6550, E-6550 locking head;  
Application: 35mm-48mm thick room door and double sash door;  
Features: The locked easily by lifting the handle inside or outside, pressure the handle inside for emergency escape;  
Surface Finish: KJ ■, QGT ■



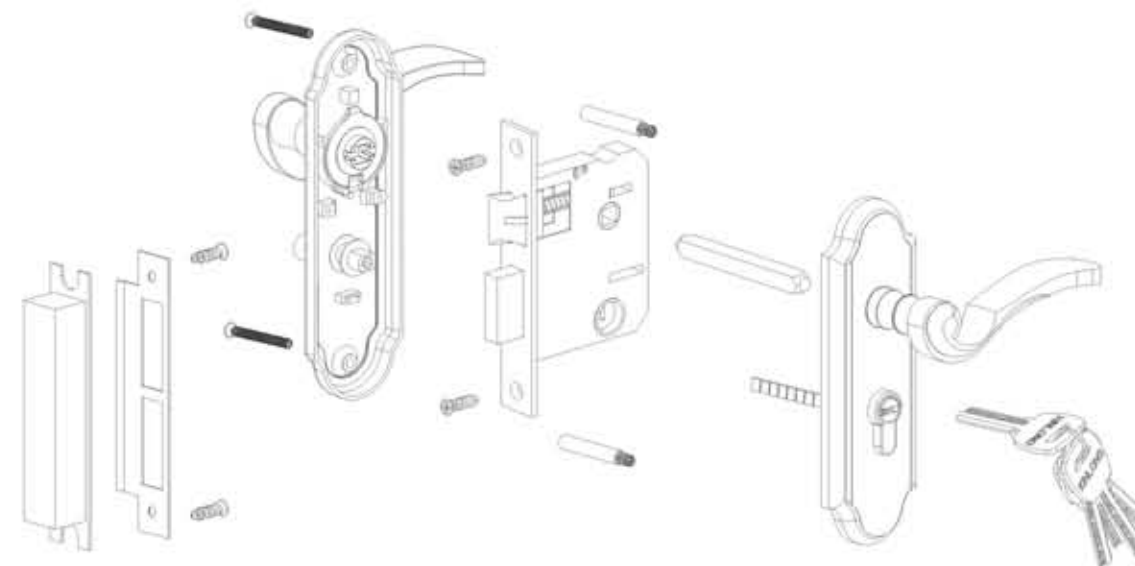
### ME101110B

材质：锌合金；  
标配：E-ST6550锁体，E-6550锁头；  
适用：门厚35mm-48mm的房门、双开门；  
特点：平时通道，内外执手反提上锁，室内执手紧急逃生；  
表面处理：K金（KJ）■、青古铜（QGT）■

### ME101110B

Material: Zinc alloy;  
Lock Body: lock body E-ST6550, E-6550 locking head;  
Application: 35mm-48mm thick room door and double sash door;  
Features: The locked easily by lifting the handle inside or outside, pressure the handle inside for emergency escape;  
Surface Finish: KJ ■, QGT ■

## 锌合金房门锁 MU ZINC ALLOY ROOM LOCK MU



### 使用说明 Instruction

该锁平时不上锁，里外转动执手可轻松开门，起一般通道锁作用，方便出入。当在室外用钥匙上锁，锁舌可伸出达20mm以上，安全保险。此时，转动执手不能开门，必须用钥匙或在室内转动旋钮才能开门；在室内转动旋钮或用钥匙同样上锁后，转动执手不能开门，同样需要用钥匙或在室内转动旋钮开门。

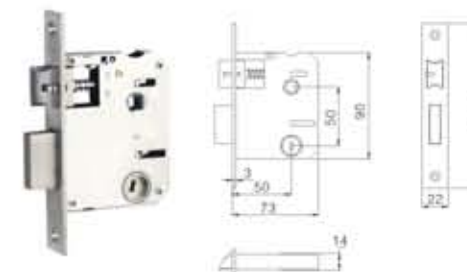
Usually handle is available without being locked Open door with key or by rotating the handle when locked automatically. Dear bolt reach above 20mm when locked with key outside and at the moment open door with key outside or by rotating the button inside. Suitable for visible position of the door hinges on the left and right \* open outward and inward door.

### 产品出厂标准配置

Product factory standard configuration



执手面板  
Handle and panel



ST5050



5050





### MU0167H

材质: 锌合金;  
标配: ST5050锁体, 5050锁头;  
适用: 门厚35mm-48mm的房门、浴室门;  
表面处理: 镍拉丝 (NLS) ■、K金 (KJ) ■、青古铜 (QGT) ■

### MU0167H

Material: Zinc Alloy ;  
Lock Body: ST5050 lock body, 5050 lock head;  
Application: 35mm-48mm thick room door, bathroom door ;  
Surface finish: NLS ■, KJ ■, QGT ■



### MU104074H

材质: 锌合金;  
标配: ST5050锁体, 5050锁头;  
适用: 门厚35mm-48mm的房门、浴室门;  
表面处理: 镍拉丝 (NLS) ■、K金 (KJ) ■、青古铜 (QGT) ■

### MU104074H

Material: Zinc Alloy ;  
Lock Body: ST5050 lock body, 5050 lock head;  
Application: 35mm-48mm thick room door, bathroom door ;  
Surface finish: NLS ■, KJ ■, QGT ■



### MU103179H

材质: 锌合金;  
标配: ST5050锁体, 5050锁头;  
适用: 门厚35mm-48mm的房门、浴室门;  
表面处理: 镍拉丝 (NLS) ■、K金 (KJ) ■、青古铜 (QGT) ■

### MU103179H

Material: Zinc Alloy ;  
Lock Body: ST5050 lock body, 5050 lock head;  
Application: 35mm-48mm thick room door, bathroom door ;  
Surface finish: NLS ■, KJ ■, QGT ■



### MU117161H

材质: 锌合金;  
标配: ST5050锁体, 5050锁头;  
适用: 门厚35mm-48mm的房门、浴室门;  
表面处理: 镍拉丝 (NLS) ■、K金 (KJ) ■、青古铜 (QGT) ■

### MU117161H

Material: Zinc Alloy ;  
Lock Body: ST5050 lock body, 5050 lock head;  
Application: 35mm-48mm thick room door, bathroom door ;  
Surface finish: NLS ■, KJ ■, QGT ■



### MU0407H

材质: 锌合金;  
标配: ST5050锁体, 5050锁头;  
适用: 门厚35mm-48mm的房门、浴室门;  
表面处理: 镍拉丝 (NLS) ■、K金 (KJ) ■、青古铜 (QGT) ■

### MU0407H

Material: Zinc Alloy ;  
Lock Body: ST5050 lock body, 5050 lock head;  
Application: 35mm-48mm thick room door, bathroom door ;  
Surface finish: NLS ■, KJ ■, QGT ■



### MU118151H

材质: 锌合金;  
标配: ST5050锁体, 5050锁头;  
适用: 门厚35mm-48mm的房门、浴室门;  
表面处理: 镍拉丝 (NLS) ■、K金 (KJ) ■、青古铜 (QGT) ■

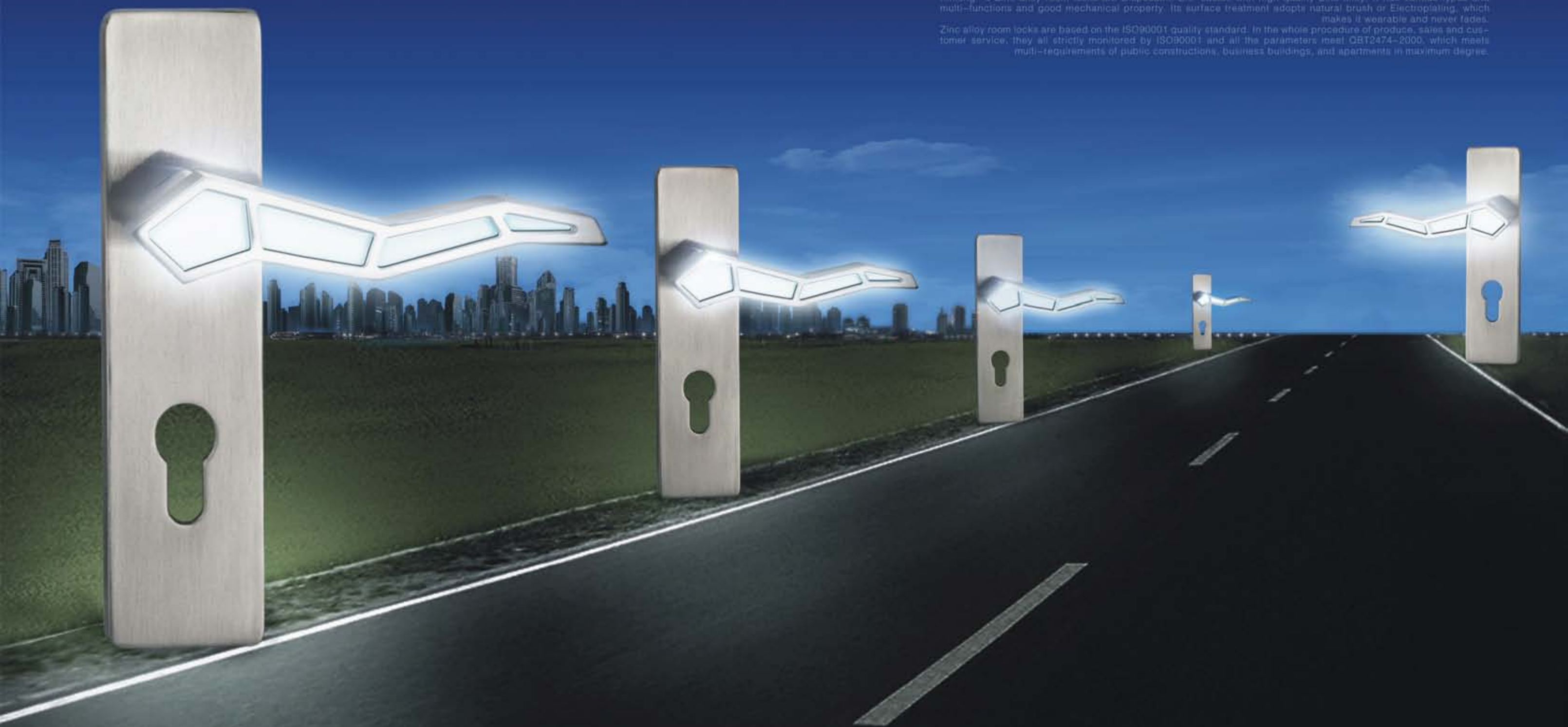
### MU118151H

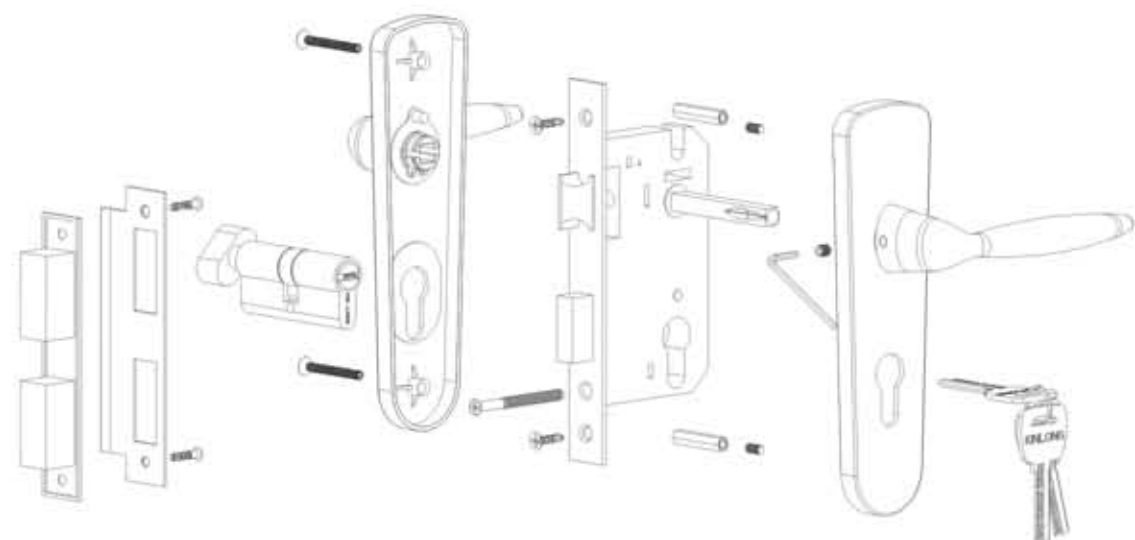
Material: Zinc Alloy ;  
Lock Body: ST5050 lock body, 5050 lock head;  
Application: 35mm-48mm thick room door, bathroom door ;  
Surface finish: NLS ■, KJ ■, QGT ■

# 锌合金房门锁 ZINC ALLOY ROOM LOCK

坚朗锌合金房门锁是选用高质量的锌合金一次压铸成型，内部组织细密，机械性能好，外观涵盖中欧美等款式，功能齐全，质感好；表面采用先进的电镀处理工艺电镀，耐磨永不褪色。  
锌合金房门锁依据ISO9001质量标准，在生产、销售、服务全过程中均受ISO9001质量监控，所有产品参数都符合插芯锁标准GB2474-2000，最大限度的满足于公共建筑设施、商建、住宅等多方位建筑要求。

Kinlong's Zinc alloy room locks are Disposable Die-castings with high quality Zinc alloy. It has various types and multi-functions and good mechanical property. Its surface treatment adopts natural brush or Electroplating, which makes it wearable and never fades.  
Zinc alloy room locks are based on the ISO9001 quality standard. In the whole procedure of produce, sales and customer service, they all strictly monitored by ISO9001 and all the parameters meet GB2474-2000, which meets multi-requirements of public constructions, business buildings, and apartments in maximum degree.





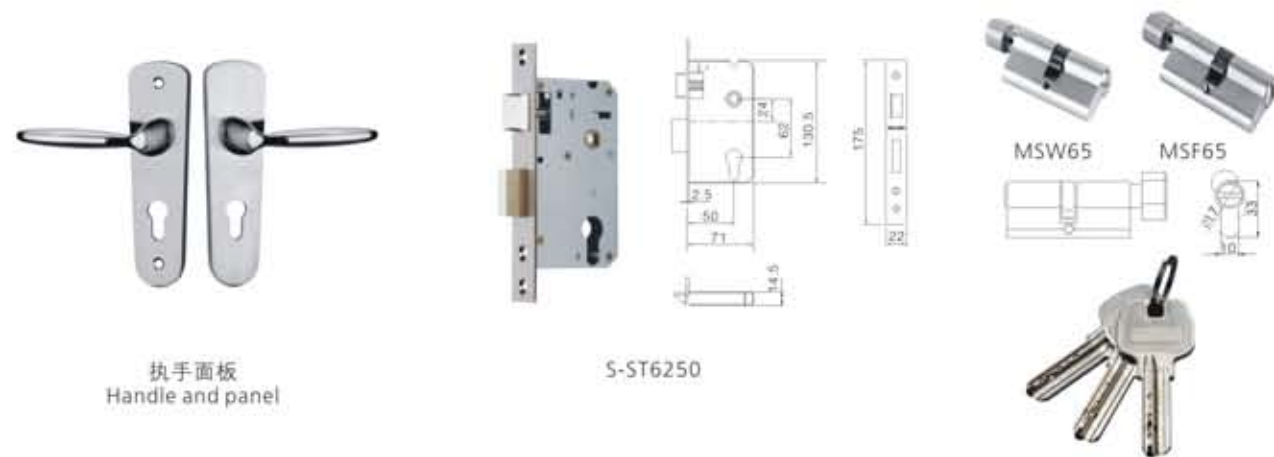
### 使用说明 Instruction

该锁平时起一般通道作用，内外转动执手，即可开门，方便出入。在室外，用钥匙或外执手反提都可上锁，转动室内外执手不能开门，起防盗锁功能，用钥匙解锁或在室内转动旋钮后，转动执手即可开门。在室内，转动旋钮或内执手反提都可上锁，转动室内外执手不能开门，安全保险。只有当室外用钥匙解锁或室内转动旋钮解除保险，才能转动内外执手开门。本锁执手反提上锁机构结构简单，设计巧妙，安全可靠。克服了类似功能锁使用时间长后功能失效的弊病。MS系列门锁分为房门锁（MSF）和卫浴锁（MSW）两种。

Usually handle is available without being locked. Open door with key or by rotating the bottom indoor when locked with key or by counter-lifting handle. And rotating handle is unavailable. Simple structure but skillfull design for long lifecycle. Suitable for visible position of the door hinges on the left and right & open outward and inward door. MS series door lock consists of room lock (MSF) and bathroom lock (MSW).

### 产品出厂标准配置

Product factory standard configuration



### MSF0603

材质：锌合金；  
标配：S-ST6250锁体，MSF65锁芯(做卫浴锁时选配MSW65锁芯)；  
适用：门厚35mm以上的房门、卫浴门、办公室门；  
特点：平时通道，内外执手反提上锁；  
表面处理：镍拉丝 (NLS) ■、K金 (KJ) ■、青古铜 (QGT) ■

### MSF0603

Material: Zinc Alloy;  
Lock Body: S-ST 6250 lock body, MSF65 lock cylinder (MSW65 cylinder can be used for bathroom lock);  
Application:  $\geq 35$ mm thick room door, bathroom door and office door;  
Characteristics: Could be locked easily by lifting the handle inside or outside;  
Surface finish: NLS ■, KJ ■, QGT ■



### MSF0101

材质：锌合金；  
标配：S-ST6250锁体，MSF65锁芯(做卫浴锁时选配MSW65锁芯)；  
适用：门厚35mm以上的房门、卫浴门、办公室门；  
特点：平时通道，内外执手反提上锁；  
表面处理：镍拉丝 (NLS) ■、K金 (KJ) ■、青古铜 (QGT) ■

### MSF0101

Material: Zinc Alloy;  
Lock Body: S-ST 6250 lock body, MSF65 lock cylinder (MSW65 cylinder can be used for bathroom lock);  
Application:  $\geq 35$ mm thick room door, bathroom door and office door;  
Characteristics: Could be locked easily by lifting the handle inside or outside;  
Surface finish: NLS ■, KJ ■, QGT ■

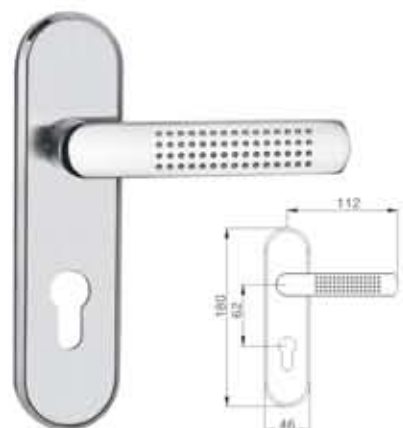


### MSF0804

材质：锌合金；  
标配：S-ST6250锁体，MSF65锁芯(做卫浴锁时选配MSW65锁芯)；  
适用：门厚35mm以上的房门、卫浴门、办公室门；  
特点：平时通道，内外执手反提上锁；  
表面处理：镍拉丝 (NLS) ■、K金 (KJ) ■、青古铜 (QGT) ■

### MSF0804

Material: Zinc Alloy;  
Lock Body: S-ST 6250 lock body, MSF65 lock cylinder (MSW65 cylinder can be used for bathroom lock);  
Application:  $\geq 35$ mm thick room door, bathroom door and office door;  
Characteristics: Could be locked easily by lifting the handle inside or outside;  
Surface finish: NLS ■, KJ ■, QGT ■



### MSF0109

材质: 锌合金;  
标配: S-ST6250锁体, MSF65锁芯(做卫浴锁时选配MSW65锁芯);  
适用: 门厚35mm以上的房门、卫浴门、办公室门;  
特点: 平时通道, 内外执手反提上锁;  
表面处理: 镍拉丝 (NLS) ■、K金 (KJ) ■、青古铜 (QGT) ■

### MSF0109

Material: Zinc Alloy;  
Lock Body: S-ST 6250 lock body, MSF65 lock cylinder (MSW65 cylinder can be used for bathroom lock);  
Application:  $\geq 35$ mm thick room door, bathroom door and office door;  
Characteristics: Could be locked easily by lifting the handle inside or outside;  
Surface finish: NLS ■, KJ ■, QGT ■



### MSF0202

材质: 锌合金;  
标配: S-ST6250锁体, MSF65锁芯(做卫浴锁时选配MSW65锁芯);  
适用: 门厚35mm以上的房门、卫浴门、办公室门;  
特点: 平时通道, 内外执手反提上锁;  
表面处理: 镍拉丝 (NLS) ■、K金 (KJ) ■、青古铜 (QGT) ■

### MSF0202

Material: Zinc Alloy;  
Lock Body: S-ST 6250 lock body, MSF65 lock cylinder (MSW65 cylinder can be used for bathroom lock);  
Application:  $\geq 35$ mm thick room door, bathroom door and office door;  
Characteristics: Could be locked easily by lifting the handle inside or outside;  
Surface finish: NLS ■, KJ ■, QGT ■



### MSF0253

材质: 锌合金;  
标配: S-ST6250锁体, MSF65锁芯(做卫浴锁时选配MSW65锁芯);  
适用: 门厚35mm以上的房门、卫浴门、办公室门;  
特点: 平时通道, 内外执手反提上锁;  
表面处理: 镍拉丝 (NLS) ■、K金 (KJ) ■、青古铜 (QGT) ■

### MSF0253

Material: Zinc Alloy;  
Lock Body: S-ST 6250 lock body, MSF65 lock cylinder (MSW65 cylinder can be used for bathroom lock);  
Application:  $\geq 35$ mm thick room door, bathroom door and office door;  
Characteristics: Could be locked easily by lifting the handle inside or outside;  
Surface finish: NLS ■, KJ ■, QGT ■



### MSF0305

材质: 锌合金;  
标配: S-ST6250锁体, MSF65锁芯(做卫浴锁时选配MSW65锁芯);  
适用: 门厚35mm以上的房门、卫浴门、办公室门;  
特点: 平时通道, 内外执手反提上锁;  
表面处理: 镍拉丝 (NLS) ■、K金 (KJ) ■、青古铜 (QGT) ■

### MSF0305

Material: Zinc Alloy;  
Lock Body: S-ST 6250 lock body, MSF65 lock cylinder (MSW65 cylinder can be used for bathroom lock);  
Application:  $\geq 35$ mm thick room door, bathroom door and office door;  
Characteristics: Could be locked easily by lifting the handle inside or outside;  
Surface finish: NLS ■, KJ ■, QGT ■



### MSF0504

材质: 锌合金;  
标配: S-ST6250锁体, MSF65锁芯(做卫浴锁时选配MSW65锁芯);  
适用: 门厚35mm以上的房门、卫浴门、办公室门;  
特点: 平时通道, 内外执手反提上锁;  
表面处理: 镍拉丝 (NLS) ■、K金 (KJ) ■、青古铜 (QGT) ■

### MMF0504

Material: Zinc Alloy;  
Lock Body: S-ST 6250 lock body, MSF65 lock cylinder (MSW65 cylinder can be used for bathroom lock);  
Application:  $\geq 35$ mm thick room door, bathroom door and office door;  
Characteristics: Could be locked easily by lifting the handle inside or outside;  
Surface finish: NLS ■, KJ ■, QGT ■



### MSF0605

材质: 锌合金;  
标配: S-ST6250锁体, MSF65锁芯(做卫浴锁时选配MSW65锁芯);  
适用: 门厚35mm以上的房门、卫浴门、办公室门;  
特点: 平时通道, 内外执手反提上锁;  
表面处理: 镍拉丝 (NLS) ■、K金 (KJ) ■、青古铜 (QGT) ■

### MSF0605

Material: Zinc Alloy;  
Lock Body: S-ST 6250 lock body, MSF65 lock cylinder (MSW65 cylinder can be used for bathroom lock);  
Application:  $\geq 35$ mm thick room door, bathroom door and office door;  
Characteristics: Could be locked easily by lifting the handle inside or outside;  
Surface finish: NLS ■, KJ ■, QGT ■



### MSF0909

材质: 锌合金;  
标配: S-ST6250锁体, MSF65锁芯(做卫浴锁时选配MSW65锁芯);  
适用: 门厚35mm以上的房门、卫浴门、办公室门;  
特点: 平时通道, 内外执手反提上锁;  
表面处理: 镍拉丝 (NLS) ■、K金 (KJ) ■、青古铜 (QGT) ■

### MSF0909

Material: Zinc Alloy;  
Lock Body: S-ST 6250 lock body, MSF65 lock cylinder (MSW65 cylinder can be used for bathroom lock);  
Application:  $\geq 35$ mm thick room door, bathroom door and office door;  
Characteristics: Could be locked easily by lifting the handle inside or outside;  
Surface finish: NLS ■, KJ ■, QGT ■



### MSF04201

材质: 锌合金;  
标配: S-ST6250锁体, MSF65锁芯(做卫浴锁时选配MSW65锁芯);  
适用: 门厚35mm以上的房门、卫浴门、办公室门;  
特点: 平时通道, 内外执手反提上锁;  
表面处理: 镍拉丝 (NLS) ■、K金 (KJ) ■、青古铜 (QGT) ■

### MSF04201

Material: Zinc Alloy;  
Lock Body: S-ST 6250 lock body, MSF65 lock cylinder (MSW65 cylinder can be used for bathroom lock);  
Application:  $\geq 35$ mm thick room door, bathroom door and office door;  
Characteristics: Could be locked easily by lifting the handle inside or outside;  
Surface finish: NLS ■, KJ ■, QGT ■



### MSF0708

材质: 锌合金;  
标配: S-ST6250锁体, MSF65锁芯(做卫浴锁时选配MSW65锁芯);  
适用: 门厚35mm以上的房门、卫浴门、办公室门;  
特点: 平时通道, 内外执手反提上锁;  
表面处理: 镍拉丝 (NLS) ■、K金 (KJ) ■、青古铜 (QGT) ■

### MSF0708

Material: Zinc Alloy;  
Lock Body: S-ST 6250 lock body, MSF65 lock cylinder (MSW65 cylinder can be used for bathroom lock);  
Application:  $\geq 35$ mm thick room door, bathroom door and office door;  
Characteristics: Could be locked easily by lifting the handle inside or outside;  
Surface finish: NLS ■, KJ ■, QGT ■



### MSF04203

材质: 锌合金;  
标配: S-ST6250锁体, MSF65锁芯(做卫浴锁时选配MSW65锁芯);  
适用: 门厚35mm以上的房门、卫浴门、办公室门;  
特点: 平时通道, 内外执手反提上锁;  
表面处理: 镍拉丝 (NLS) ■、K金 (KJ) ■、青古铜 (QGT) ■

### MSF04203

Material: Zinc Alloy;  
Lock Body: S-ST 6250 lock body, MSF65 lock cylinder (MSW65 cylinder can be used for bathroom lock);  
Application:  $\geq 35$ mm thick room door, bathroom door and office door;  
Characteristics: Could be locked easily by lifting the handle inside or outside;  
Surface finish: NLS ■, KJ ■, QGT ■



### MSF0407

材质: 锌合金;  
标配: S-ST6250锁体, MSF65锁芯(做卫浴锁时选配MSW65锁芯);  
适用: 门厚35mm以上的房门、卫浴门、办公室门;  
特点: 平时通道, 内外执手反提上锁;  
表面处理: 镍拉丝 (NLS) ■、K金 (KJ) ■、青古铜 (QGT) ■

### MSF0407

Material: Zinc Alloy;  
Lock Body: S-ST 6250 lock body, MSF65 lock cylinder (MSW65 cylinder can be used for bathroom lock);  
Application:  $\geq 35$ mm thick room door, bathroom door and office door;  
Characteristics: Could be locked easily by lifting the handle inside or outside;  
Surface finish: NLS ■, KJ ■, QGT ■

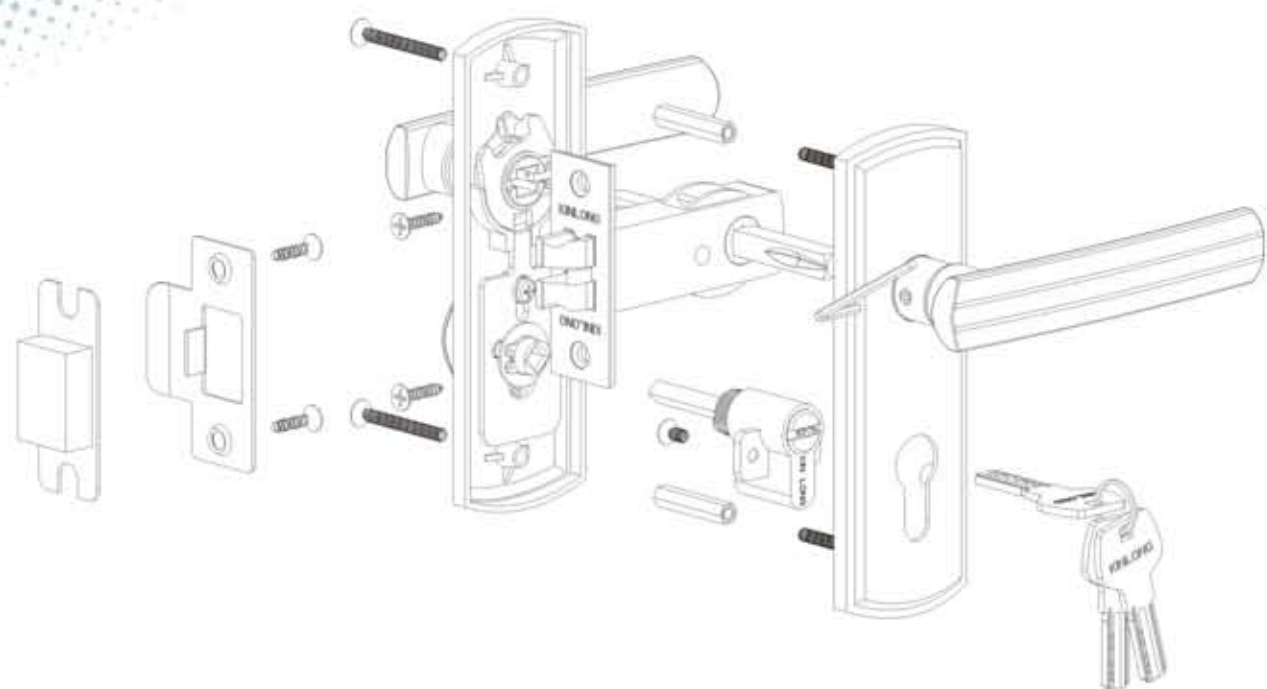


### MSF08204

材质: 锌合金;  
标配: S-ST6250锁体, MSF65锁芯(做卫浴锁时选配MSW65锁芯);  
适用: 门厚35mm以上的房门、卫浴门、办公室门;  
特点: 平时通道, 内外执手反提上锁;  
表面处理: 镍拉丝 (NLS) ■、K金 (KJ) ■、青古铜 (QGT) ■

### MSF08204

Material: Zinc Alloy;  
Lock Body: S-ST 6250 lock body, MSF65 lock cylinder (MSW65 cylinder can be used for bathroom lock);  
Application:  $\geq 35$ mm thick room door, bathroom door and office door;  
Characteristics: Could be locked easily by lifting the handle inside or outside;  
Surface finish: NLS ■, KJ ■, QGT ■



### 使用说明 Instruction

该锁平时起一般通道作用，转动内外执手即可开门，出入方便。当在室外用钥匙上锁后，室内外执手不能转动开门，必须用钥匙解锁或在室内转动旋钮，才能转动执手开门，同样在室内转动旋钮上锁后，要重复上述步骤后才能转动执手开门。T系列锁分为房门锁（MTF）和卫浴锁（MTW）两种。

Usually handle is available without being locked. Open door with key or by rotating the bottom when locked with key or rotating button indoor. And rotating handle is unavailable. T series door lock consists of room lock (MTF) and bathroom lock (MTW).

### 产品出厂标准配置

Product factory standard configuration



执手面板  
Handle and panel



TF-SF0060



MTF

MTW



### MTF0107

材质：锌合金；  
标配：TF-SF0060锁体，MTF锁头(做卫浴锁时选配MTW锁头)；  
适用：门厚35mm-48mm的房门、浴室门、公共卫生间门；  
表面处理：镍拉丝 (NLS) ■、K金 (KJ) ■、青古铜 (QGT) ■

### MTF0107

Material: Zinc Alloy ;  
Lock Body: TF-SF0060 lock body, MTF lock head (MTW lock head can be used for bathroom lock);  
Application: 35mm-48mm thick room door, bathroom door and public washroom door;  
Surface finish: NLS ■, KJ ■, QGT ■



### MTF0153

材质：锌合金；  
标配：TF-SF0060锁体，MTF锁头(做卫浴锁时选配MTW锁头)；  
适用：门厚35mm-48mm的房门、浴室门、公共卫生间门；  
表面处理：镍拉丝 (NLS) ■、K金 (KJ) ■、青古铜 (QGT) ■

### MTF0153

Material: Zinc Alloy ;  
Lock Body: TF-SF0060 lock body, MTF lock head (MTW lock head can be used for bathroom lock);  
Application: 35mm-48mm thick room door, bathroom door and public washroom door;  
Surface finish: NLS ■, KJ ■, QGT ■



### MTF0204

材质：锌合金；  
标配：TF-SF0060锁体，MTF锁头(做卫浴锁时选配MTW锁头)；  
适用：门厚35mm-48mm的房门、浴室门、公共卫生间门；  
表面处理：镍拉丝 (NLS) ■、K金 (KJ) ■、青古铜 (QGT) ■

### MTF0204

Material: Zinc Alloy ;  
Lock Body: TF-SF0060 lock body, MTF lock head (MTW lock head can be used for bathroom lock);  
Application: 35mm-48mm thick room door, bathroom door and public washroom door;  
Surface finish: NLS ■, KJ ■, QGT ■



### MTF0208

材质: 锌合金;  
标配: TF-SF0060锁体, MTF锁头(做卫浴锁时选配MTW锁头);  
适用: 门厚35mm-48mm的房门、浴室门、公共卫生间门;  
表面处理: 镍拉丝 (NLS) ■、K金 (KJ) ■、青古铜 (QGT) ■

### MTF0208

Material: Zinc Alloy ;  
Lock Body: TF-SF0060 lock body, MTF lock head (MTW lock head can be used for bathroom lock);  
Application: 35mm-48mm thick room door, bathroom door and public washroom door;  
Surface finish: NLS ■, KJ ■, QGT ■



### MTF0605

材质: 锌合金;  
标配: TF-SF0060锁体, MTF锁头(做卫浴锁时选配MTW锁头);  
适用: 门厚35mm-48mm的房门、浴室门、公共卫生间门;  
表面处理: 镍拉丝 (NLS) ■、K金 (KJ) ■、青古铜 (QGT) ■

### MTF0605

Material: Zinc Alloy ;  
Lock Body: TF-SF0060 lock body, MTF lock head (MTW lock head can be used for bathroom lock);  
Application: 35mm-48mm thick room door, bathroom door and public washroom door;  
Surface finish: NLS ■, KJ ■, QGT ■



### MTF0303

材质: 锌合金;  
标配: TF-SF0060锁体, MTF锁头(做卫浴锁时选配MTW锁头);  
适用: 门厚35mm-48mm的房门、浴室门、公共卫生间门;  
表面处理: 镍拉丝 (NLS) ■、K金 (KJ) ■、青古铜 (QGT) ■

### MTF0303

Material: Zinc Alloy ;  
Lock Body: TF-SF0060 lock body, MTF lock head (MTW lock head can be used for bathroom lock);  
Application: 35mm-48mm thick room door, bathroom door and public washroom door;  
Surface finish: NLS ■, KJ ■, QGT ■



### MTF0753

材质: 锌合金;  
标配: TF-SF0060锁体, MTF锁头(做卫浴锁时选配MTW锁头);  
适用: 门厚35mm-48mm的房门、浴室门、公共卫生间门;  
表面处理: 镍拉丝 (NLS) ■、K金 (KJ) ■、青古铜 (QGT) ■

### MTF0753

Material: Zinc Alloy ;  
Lock Body: TF-SF0060 lock body, MTF lock head (MTW lock head can be used for bathroom lock);  
Application: 35mm-48mm thick room door, bathroom door and public washroom door;  
Surface finish: NLS ■, KJ ■, QGT ■

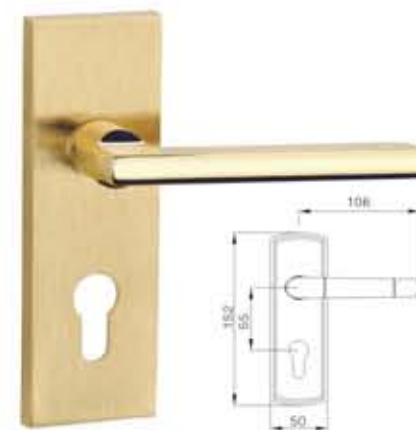


### MTF0603

材质: 锌合金;  
标配: TF-SF0060锁体, MTF锁头(做卫浴锁时选配MTW锁头);  
适用: 门厚35mm-48mm的房门、浴室门、公共卫生间门;  
表面处理: 镍拉丝 (NLS) ■、K金 (KJ) ■、青古铜 (QGT) ■

### MTF0603

Material: Zinc Alloy ;  
Lock Body: TF-SF0060 lock body, MTF lock head (MTW lock head can be used for bathroom lock);  
Application: 35mm-48mm thick room door, bathroom door and public washroom door;  
Surface finish: NLS ■, KJ ■, QGT ■

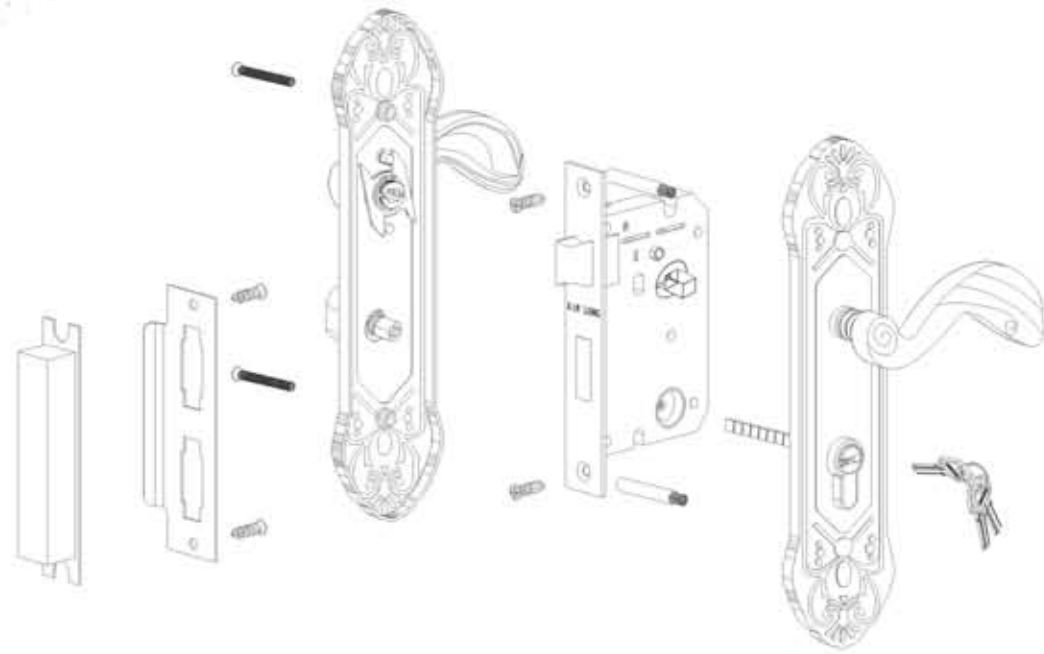


### MTF0507

材质: 锌合金;  
标配: TF-SF0060锁体, MTF锁头(做卫浴锁时选配MTW锁头);  
适用: 门厚35mm-48mm的房门、浴室门、公共卫生间门;  
表面处理: 镍拉丝 (NLS) ■、K金 (KJ) ■、青古铜 (QGT) ■

### MTF0507

Material: Zinc Alloy ;  
Lock Body: TF-SF0060 lock body, MTF lock head (MTW lock head can be used for bathroom lock);  
Application: 35mm-48mm thick room door, bathroom door and public washroom door;  
Surface finish: NLS ■, KJ ■, QGT ■



### 使用说明 Instruction

该锁平时起一般通道锁作用，转动内外的执手即可开门。在室外必须要钥匙开门，而室内执手具有快速逃生功能，在房内不需转动保险钮，只需将执手往下压，房门即可打开（即斜舌、方舌同时打开）。此功能的特点是为了防止房内发生特殊情况方便逃生而设计的。

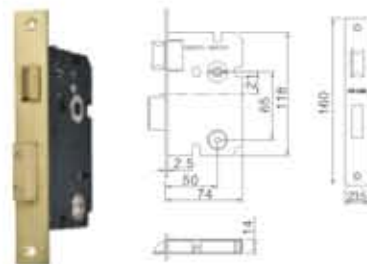
The lock is usually played general role of channel locks, turning the inside and outside handle to open the door must need the key to open the door outside, and indoor handle quick-escape in a room and do not need to turn the safety button, just down the handle-pressure, the door can be opened (ie, oblique tongue, the tongue open at the same time). The characteristics of this feature is designed to facilitate escape in order to prevent the special situation occurs in the room.

### 产品出厂标准配置

Product factory standard configuration



执手面板  
Handle and panel



ST6550



6550



### MEB123155

材质：纯铜；  
标配：ST6550锁体，6550锁头；  
适用：门厚35mm-48mm的房门、双开门、卫浴门、通道门；  
特点：内外执手反提上锁，室内执手紧急逃生；  
表面处理：金色（GOLD）■、青古铜（QGT）■

### MEB123155

Material: Brass;  
Lock Body: lock body ST6550, locking head 6550;  
Application: 35mm-48mm thick room door, double sash door, bathroom door and office door;  
Features: Could be locked easily by lifting the handle inside or outside, pressure the handle inside for emergency escape;  
Surface Finish: (GOLD) ■, QGT ■



### MEB101110

材质：纯铜；  
标配：ST6550锁体，6550锁头；  
适用：门厚35mm-48mm的房门、双开门、卫浴门、通道门；  
特点：内外执手反提上锁，室内执手紧急逃生；  
表面处理：金色（GOLD）■、青古铜（QGT）■

### MEB101110

Material: Brass;  
Lock Body: lock body ST6550, locking head 6550;  
Application: 35mm-48mm thick room door, double sash door, bathroom door and office door;  
Features: Could be locked easily by lifting the handle inside or outside, pressure the handle inside for emergency escape;  
Surface Finish: (GOLD) ■, QGT ■



### MEB126158

材质：纯铜；  
标配：ST6550锁体，6550锁头；  
适用：门厚35mm-48mm的房门、双开门、卫浴门、通道门；  
特点：内外执手反提上锁，室内执手紧急逃生；  
表面处理：金色（GOLD）■、青古铜（QGT）■

### MEB126158

Material: Brass;  
Lock Body: lock body ST6550, locking head 6550;  
Application: 35mm-48mm thick room door, double sash door, bathroom door and office door;  
Features: Could be locked easily by lifting the handle inside or outside, pressure the handle inside for emergency escape;  
Surface Finish: (GOLD) ■, QGT ■

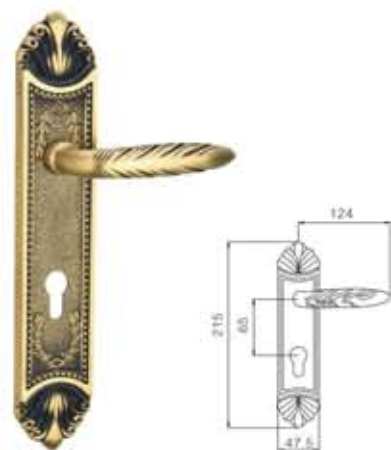


### MEB125157

材质: 纯铜;  
标配: ST6550锁体, 6550锁头;  
适用: 门厚35mm-48mm的房门、双开门、卫浴门、通道门;  
特点: 内外执手反提上锁, 室内执手紧急逃生;  
表面处理: 金色 (GOLD) ■, 青古铜 (QGT) ■

### MEB125157

Material: Brass;  
Lock Body: lock body ST6550, locking head 6550;  
Application: 35mm-48mm thick room door, double sash door, bathroom door and office door;  
Features: Could be locked easily by lifting the handle inside or outside, pressure the handle inside for emergency escape;  
Surface Finish: (GOLD) ■, QGT ■



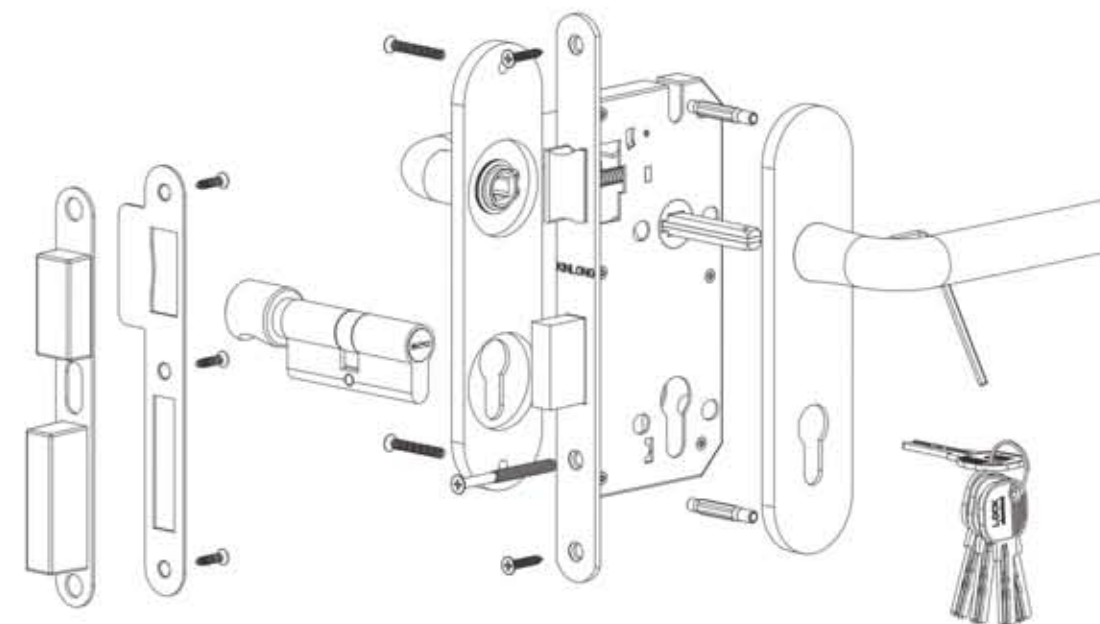
### MEB124156

材质: 纯铜;  
标配: ST6550锁体, 6550锁头;  
适用: 门厚35mm-48mm的房门、双开门、卫浴门、通道门;  
特点: 内外执手反提上锁, 室内执手紧急逃生;  
表面处理: 金色 (GOLD) ■, 青古铜 (QGT) ■

### MEB124156

Material: Brass;  
Lock Body: lock body ST6550, locking head 6550;  
Application: 35mm-48mm thick room door, double sash door, bathroom door and office door;  
Features: Could be locked easily by lifting the handle inside or outside, pressure the handle inside for emergency escape;  
Surface Finish: (GOLD) ■, QGT ■

## 铝合金房门锁 MSA ALUMINUM ALLOY ROOM LOCK MSA



### 使用说明 Instruction

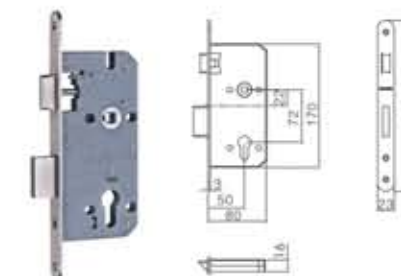
该锁平时不上锁, 里外转动执手可轻松开门, 起一般通道锁作用, 方便出入。当在室外用钥匙上锁, 锁舌可伸出两档达20mm以上, 安全保险。此时, 转动执手不能开门, 必须用钥匙或在室内转动旋钮才能开门; 在室内转动旋钮或用钥匙同样上锁后, 转动执手不能开门, 同样需要用钥匙或在室内转动旋钮开门。

Usually handle is available without being locked Open door with key or by rotating the handle when locked automatically. Dear bolt 2-turns reach above 20mm when locked with key outside and at the moment open door with key outside or by rotating the button inside. Suitable for visible position of the door hinges on the left and right & open outward and inward door.

### 产品出厂标准配置 Product factory standard configuration



执手面板  
Handle and panel



ST7250



大70  
Big70



### MSA0407

材质: 铝合金;  
标配: ST7250锁体, 大70锁芯;  
适用: 门厚35mm-48mm的房门、卫浴门;  
表面处理: 珍珠白 (ZZB) ■

### MSA0407

Material: Aluminum alloy;  
Lock Body: ST7250 lock body, large 70 cylinders;  
Application: 35mm-48mm thick room door and bathroom door;  
Surface finish: Pearl white (ZZB) ■



### MSA0468

材质: 铝合金;  
标配: ST7250锁体, 大70锁芯;  
适用: 门厚35mm-48mm的房门、卫浴门;  
表面处理: 珍珠白 (ZZB) ■

### MSA0468

Material: Aluminum alloy;  
Lock Body: ST7250 lock body, large 70 cylinders;  
Application: 35mm-48mm thick room door and bathroom door;  
Surface finish: Pearl white (ZZB) ■



### MSA0453

材质: 铝合金;  
标配: ST7250锁体, 大70锁芯;  
适用: 门厚35mm-48mm的房门、卫浴门;  
表面处理: 珍珠白 (ZZB) ■

### MSA0453

Material: Aluminum alloy;  
Lock Body: ST7250 lock body, large 70 cylinders;  
Application: 35mm-48mm thick room door and bathroom door;  
Surface finish: Pearl white (ZZB) ■



### MSA0174

材质: 铝合金;  
标配: ST7250锁体, 大70锁芯;  
适用: 门厚35mm-48mm的房门、卫浴门;  
表面处理: 珍珠白 (ZZB) ■

### MSA0174

Material: Aluminum alloy;  
Lock Body: ST7250 lock body, large 70 cylinders;  
Application: 35mm-48mm thick room door and bathroom door;  
Surface finish: Pearl white (ZZB) ■



### MSA0167

材质: 铝合金;  
标配: ST7250锁体, 大70锁芯;  
适用: 门厚35mm-48mm的房门、卫浴门;  
表面处理: 珍珠白 (ZZB) ■

### MSA0167

Material: Aluminum alloy;  
Lock Body: ST7250 lock body, large 70 cylinders;  
Application: 35mm-48mm thick room door and bathroom door;  
Surface finish: Pearl white (ZZB) ■



### MSA0185

材质: 铝合金;  
标配: ST7250锁体, 大70锁芯;  
适用: 门厚35mm-48mm的房门、卫浴门;  
表面处理: 珍珠白 (ZZB) ■

### MSA0185

Material: Aluminum alloy;  
Lock Body: ST7250 lock body, large 70 cylinders;  
Application: 35mm-48mm thick room door and bathroom door;  
Surface finish: Pearl white (ZZB) ■

## 卫浴门锁 BATHROOM LOCK

坚朗卫浴门锁是选用高质量的锌合金一次压铸成型，内部组织细密，机械性能好，外观大方，性能好，质感好；表面采用先进的电镀处理工艺电镀，耐磨永不褪色。

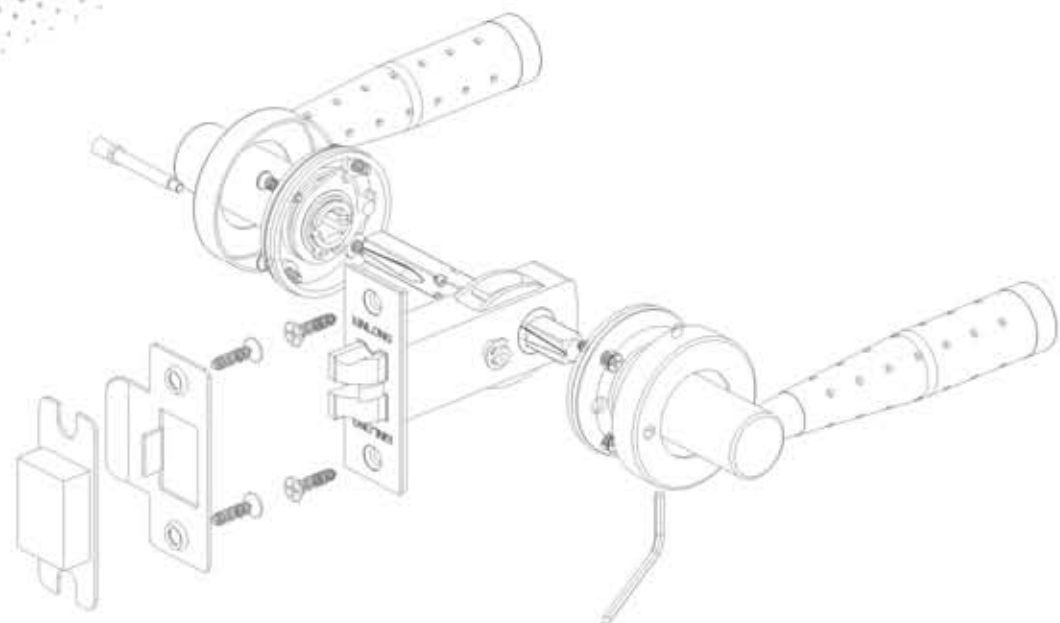
卫浴门锁依据ISO9001质量标准，在生产、销售、服务全过程中均受ISO9001质量监控，所有产品参数都符合插芯锁标准QBT2474-2000，最大限度的满足于公共建筑设施、商建、住宅等多方位建筑要求。

Kinlong's bathroom door locks are Disposable Die-castes with high quality Zinc alloy. The lock has meticulous internal organization, and good mechanical property. Seeing from outlook, it is generous, and it is with good performance and touching. Its surface treatment adopts natural brush or Electroplating, which makes it wearable and never fades.

Bathroom locks are based on the ISO90001 quality standard. In the whole procedure of produce, sales and customer service, they are all strictly monitored by ISO90001 and all the parameters meet QBT2474-2000, which meets multi-requirements of public constructions, business buildings, and apartments in maximum degree.



UNIQUE VALUE CAN ONLY BE  
CREATED BY PROFESSIONALISM AND SPECULATION HAS NO FUTURE.



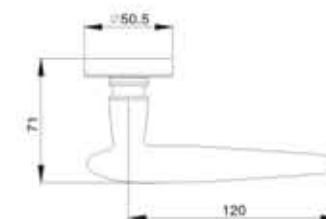
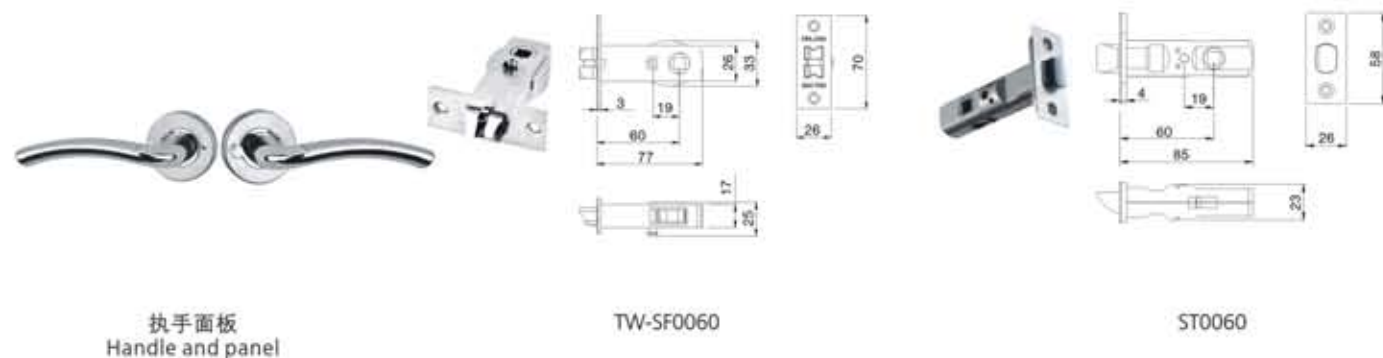
### 使用说明 Instruction

该锁平时起一般通道锁作用，转动内外的执手即可开门，出入方便。当在室内压下保险销，室外执手不能转动开门（注：如遇紧急情况，在门外用小钢钉插入护盖圆孔中解除保险，转动执手可打开门），在室内转动执手可自行解除保险开门（作通道锁使用时，不用保险销）。

Usually for passage lock. Rotating handle to open the door unavailable when safety pin pressed. Once emergency just insert steel needle into escutcheon hole to remove safety pin or rotate handle indoor available door thick 35mm-45mm is available.

### 产品出厂标准配置

Product factory standard configuration

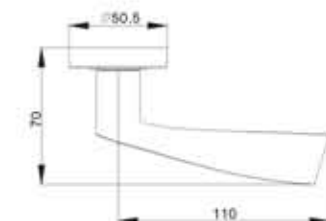


### MYTW2755

材质：锌合金；  
标配：TW-SF0060锁体；  
适用：门厚35mm-48mm的卫浴门、厨房门、通道门；  
特点：平时通道，室内保险销上锁，室外可应急开门；  
表面处理：镍拉丝（NLS）■、K金（KJ）■、青古铜（QGT）■

### MYTW2755

Material: Zinc alloy ;  
Matching: TW-SF0060 lock body;  
Application: 35mm-48mm thick bathroom door, kitchen door and access door ;  
Characteristics: Usually for passage lock. When safety pin pressed inside, once emergency could open from outside ;  
Surface finish: NLS ■, KJ ■, QGT ■

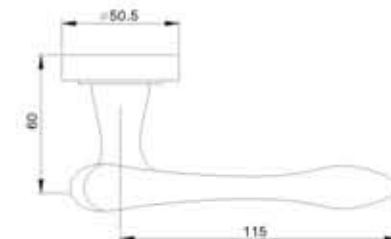


### MYTW2712

材质：锌合金；  
标配：TW-SF0060锁体；  
适用：门厚35mm-48mm的卫浴门、厨房门、通道门；  
特点：平时通道，室内保险销上锁，室外可应急开门；  
表面处理：镍拉丝（NLS）■、K金（KJ）■、青古铜（QGT）■

### MYTW2712

Material: Zinc alloy ;  
Matching: TW-SF0060 lock body;  
Application: 35mm-48mm thick bathroom door, kitchen door and access door ;  
Characteristics: Usually for passage lock. When safety pin pressed inside, once emergency could open from outside ;  
Surface finish: NLS ■, KJ ■, QGT ■

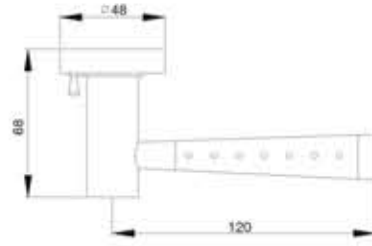


### MYTW2754

材质：锌合金；  
标配：TW-SF0060锁体；  
适用：门厚35mm-48mm的卫浴门、厨房门、通道门；  
特点：平时通道，室内保险销上锁，室外可应急开门；  
表面处理：镍拉丝（NLS）■、K金（KJ）■、青古铜（QGT）■

### MYTW2754

Material: Zinc alloy ;  
Matching: TW-SF0060 lock body;  
Application: 35mm-48mm thick bathroom door, kitchen door and access door ;  
Characteristics: Usually for passage lock. When safety pin pressed inside, once emergency could open from outside ;  
Surface finish: NLS ■, KJ ■, QGT ■

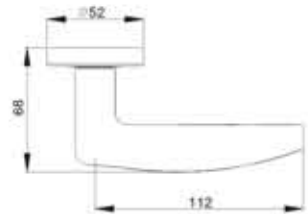


### MYTW2722

材质: 锌合金;  
标配: TW-SF0060锁体;  
适用: 门厚35mm-48mm的卫浴门、厨房门、通道门;  
特点: 平时通道, 室内保险销上锁, 室外可应急开门;  
表面处理: 镍拉丝 (NLS) ■、K金 (KJ) ■、青古铜 (QGT) ■

### MYTW2722

Material: Zinc alloy;  
Matching: TW-SF0060 lock body;  
Application: 35mm-48mm thick bathroom door, kitchen door and access door;  
Characteristics: Usually for passage lock. When safety pin pressed inside, once emergency could open from outside;  
Surface finish: NLS ■, KJ ■, QGT ■

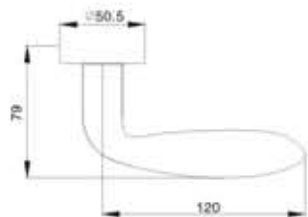


### MYTW2728

材质: 锌合金;  
标配: ST0060锁体;  
适用: 门厚35mm-48mm的卫浴门、厨房门、通道门;  
特点: 平时通道, 室内保险销上锁, 室外可应急开门;  
表面处理: 镍拉丝 (NLS) ■、K金 (KJ) ■、青古铜 (QGT) ■

### MYTW2728

Material: Zinc alloy;  
Matching: ST0060 lock body;  
Application: 35mm-48mm thick bathroom door, kitchen door and access door;  
Characteristics: Usually for passage lock. When safety pin pressed inside, once emergency could open from outside;  
Surface finish: NLS ■, KJ ■, QGT ■

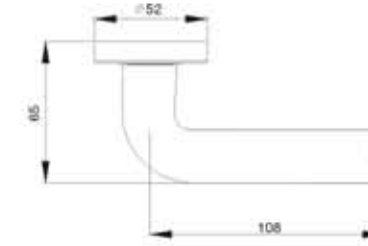


### MYTW2767

材质: 锌合金;  
标配: ST0060锁体;  
适用: 门厚35mm-48mm的卫浴门、厨房门、通道门;  
特点: 平时通道, 室内保险销上锁, 室外可应急开门;  
表面处理: 镍拉丝 (NLS) ■、K金 (KJ) ■、青古铜 (QGT) ■

### MYTW2767

Material: Zinc alloy;  
Matching: ST0060 lock body;  
Application: 35mm-48mm thick bathroom door, kitchen door and access door;  
Characteristics: Usually for passage lock. When safety pin pressed inside, once emergency could open from outside;  
Surface finish: NLS ■, KJ ■, QGT ■

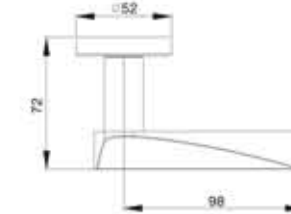


### MYWT2732

材质: 锌合金;  
标配: ST0060锁体;  
适用: 门厚35mm-48mm的卫浴门、厨房门、通道门;  
特点: 平时通道, 室内保险销上锁, 室外可应急开门;  
表面处理: 镍拉丝 (NLS) ■、K金 (KJ) ■、青古铜 (QGT) ■

### MYWT2732

Material: Zinc alloy;  
Matching: ST0060 lock body;  
Application: 35mm-48mm thick bathroom door, kitchen door and access door;  
Characteristics: Usually for passage lock. When safety pin pressed inside, once emergency could open from outside;  
Surface finish: NLS ■, KJ ■, QGT ■



### MYTW27115

材质: 锌合金;  
标配: ST0060锁体;  
适用: 门厚35mm-48mm的卫浴门、厨房门、通道门;  
特点: 平时通道, 室内保险销上锁, 室外可应急开门;  
表面处理: 镍拉丝 (NLS) ■、K金 (KJ) ■、青古铜 (QGT) ■

### MYTW27115

Material: Zinc alloy;  
Matching: ST0060 lock body;  
Application: 35mm-48mm thick bathroom door, kitchen door and access door;  
Characteristics: Usually for passage lock. When safety pin pressed inside, once emergency could open from outside;  
Surface finish: NLS ■, KJ ■, QGT ■

移门锁  
SLIDING DOOR LOCK



- ★ 管井锁 MG001  
材质: 主要材质为304不锈钢;  
适用: 门厚35mm-48mm质的管道门、电房门、线路门;  
表面处理: 钢拉丝 (GLS) ■
- ★ Casing well lock MG001  
Material: Stainless steel 304 as the main material;  
Application: 35mm-48mm thick pipeline door, electricity room door and circuit room door;  
Surface finish: GLS ■

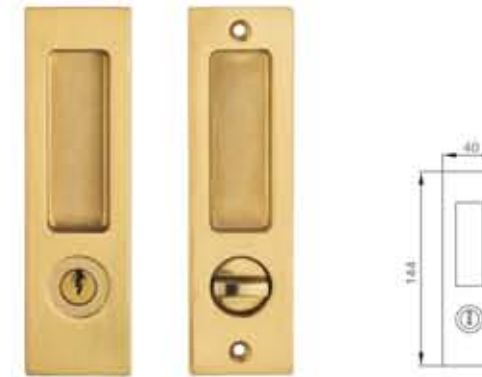


- 管井锁 MG002  
材质: 304不锈钢;  
适用: 门厚35mm-60mm的管道门、电房门、线路门;  
表面处理: 钢拉丝 (GLS) ■
- Casing well lock MG002  
Material: Stainless steel 304  
Application: 35mm-60mm thick pipeline door, electronic room door and circuit room door;  
Surface finish: GLS ■



★ 防火管井锁 Fireproof Casing Well Lock

- ★ 管井锁 MG003(A1000+MYS2700)  
材质: 304不锈钢;  
标配: 55单舌锁体, 双面板双拉手, 标准葫芦锁芯 (选配1: 双面板单拉手, 标准葫芦锁芯; 选配2: 单拉手单面板, 半截葫芦锁芯);  
适用: 门厚35mm-60mm的管道门、电房门、线路门;  
表面处理: 钢拉丝 (GLS) ■
- ★ Casing well lock MG003(A1000+MYS2700)  
Material: Stainless steel 304  
Lock Body: 55 unilateral tongue lock body, double panel with double handle, standard gourd lock cylinder (Matching1: double panel with single handle, standard gourd cylinder; Matching2: single panel with single handle, half-gourd cylinder);  
Application: 35mm-60mm thick pipeline door, electronic room door and circuit room door;  
Surface finish: GLS ■



- 移门锁 A001H  
材质: 锌合金;  
标配: 移门锁体ST0035;  
适用: 门厚35mm-48mm的移门;  
表面处理: 镍拉丝 (NLS) ■、K金 (KJ) ■
- Sliding door lock A001H  
Material: zinc Alloy;  
Matching: Sliding door lock body ST0035;  
Application: 35mm-48mm thick sliding door;  
Surface finish: NLS ■, KJ ■

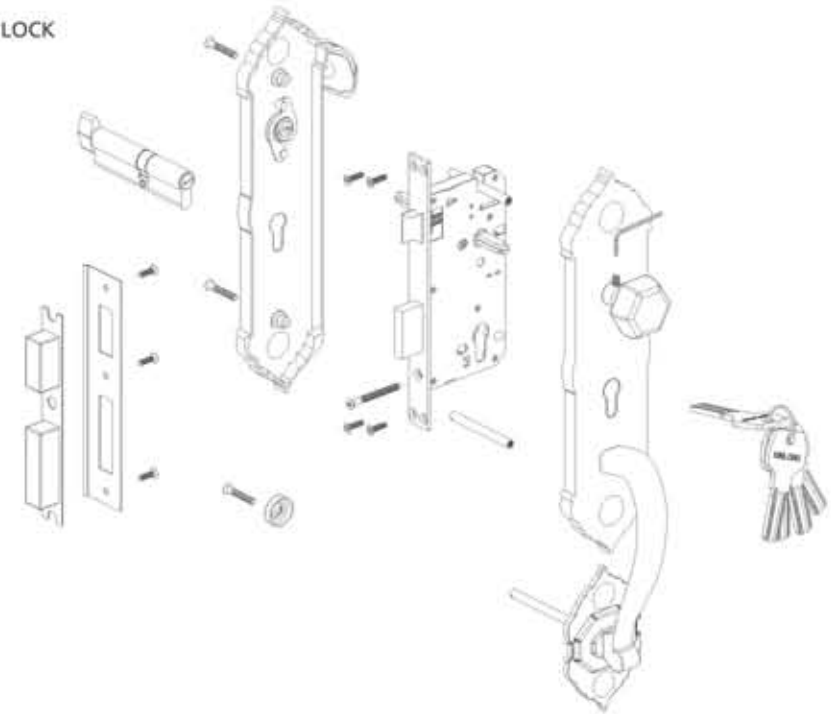


- 移门锁 A002H  
材质: 锌合金;  
标配: 移门锁体ST0035;  
适用: 门厚35mm-48mm的移门;  
表面处理: 镍拉丝 (NLS) ■、K金 (KJ) ■
- Sliding door lock A002H  
Material: zinc Alloy;  
Matching: Sliding door lock body ST0035;  
Application: 35mm-48mm thick sliding door;  
Surface finish: NLS ■, KJ ■



- 移门锁体ST0035  
Sliding door lock body ST0035

精装入户门锁  
HARDCOVER ENTRANCE LOCK

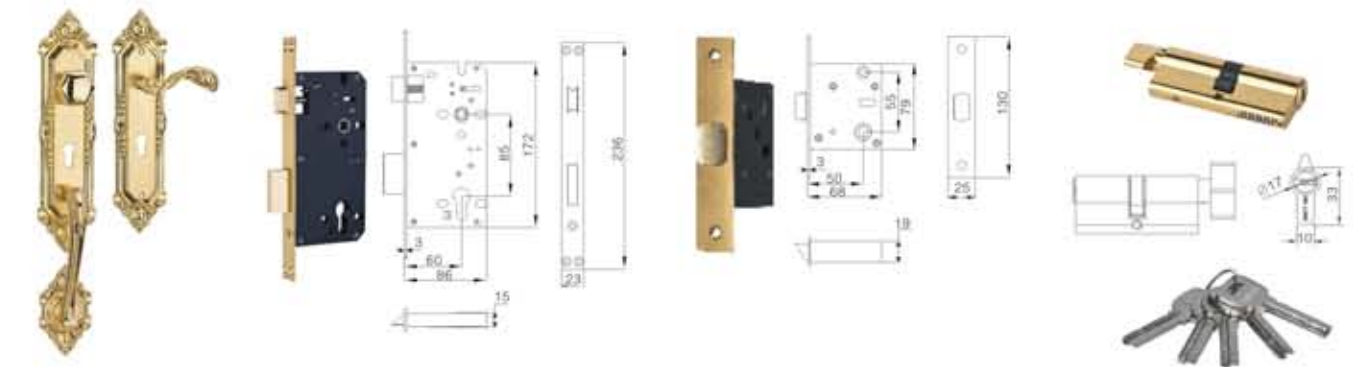


使用说明 Instruction

该锁平时不上锁，里外转动执手可轻松开门，起一般通道锁作用，方便出入。当在室外用钥匙上锁，锁舌可伸出两档达20mm以上，安全保险。此时，转动执手不能开门，必须用钥匙或在室内转动旋钮才能开门；在室内转动旋钮或用钥匙同样上锁后，转动执手不能开门，同样需要用钥匙或在室内转动旋钮开门。

Usually handle is available without being locked Open door with key or by rotating the handle when locked automatically. Dead bolt 2-turns reach above 20mm when locked with key outside and at the moment open door with key outside or by rotating the button inside. Suitable for visible position of the door hinges on the left and right & open outward and inward door.

产品出厂标准配置  
Product factory standard configuration



执手面板  
Handle and panel

ST8560H

ST5550



闭锁 MQ3D102 单开

材质：304不锈钢；  
标配：ST0060/70锁体；  
适用：门厚35mm-48mm的入户门、双开门；  
表面处理：钢拉丝（GLS）■、青古铜（QGT）■、金色PVD(PVD) ■

Atresia MQ3D102single open

Material: Stainless steel 304;  
Lock Body: ST0060/70 lock body;  
Application: 35mm-48mm thick entrance door and double sash door;  
Surface finish: GLS ■, QGT ■, PVD/golden ■



闭锁 MQ3D101 双开

材质：304不锈钢；  
标配：ST0060/70锁体；  
适用：门厚35mm-48mm的入户门、双开门；  
表面处理：钢拉丝（GLS）■、青古铜（QGT）■、金色PVD(PVD) ■

Atresia MQ3D101double open

Material: Stainless steel 304;  
Lock Body: ST0060/70 lock body;  
Application: 35mm-48mm thick entrance door and double sash door;  
Surface finish: GLS ■, QGT ■, PVD/golden ■

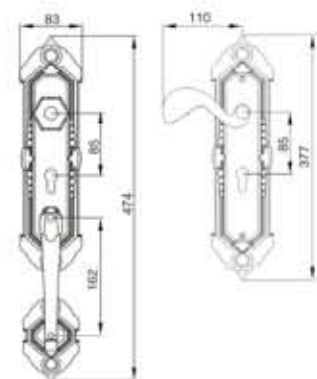


### MHDZ100010

材质：锌合金；  
标配：ST8560H锁体，标准葫芦锁芯；  
适用：门厚35mm-48mm的入户门、双开门；  
表面处理：K金(KJ)■、青古铜(QGT)■

### MHDZ100010

Material: Zinc Alloy;  
Lock Body: ST8560H lock body, standard gourd lock cylinder;  
Application: 35mm-48mm thick entrance door or double sash door;  
Surface finish: KJ ■, QGT ■

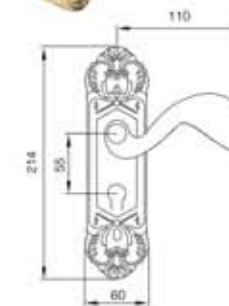
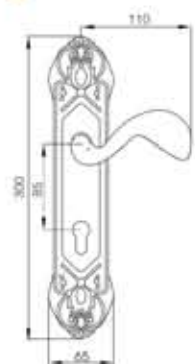


### ML101110-310

材质：锌合金；  
标配：ST8560H锁体，标准葫芦锁芯；  
适用：门厚35mm-48mm的入户门、双开门；  
表面处理：K金(KJ)■、青古铜(QGT)■

### ML101110-310

Material: Zinc Alloy;  
Lock Body: ST8560H lock body, standard gourd lock cylinder;  
Application: 35mm-48mm thick entrance door or double sash door;  
Surface finish: KJ ■, QGT ■

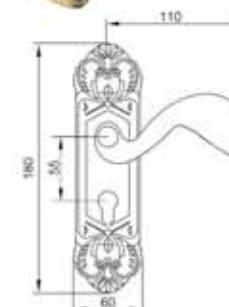


### MTF101110-200

材质：锌合金；  
标配：ST5550锁体，PJ-242锁头；  
适用：门厚35mm-48mm的房门、卫浴门；  
表面处理：K金(KJ)■、青古铜(QGT)■

### MTF101110-200

Material: Zinc Alloy;  
Lock Body: ST5550 lock body, PJ-242 lock head;  
Application: 35mm-48mm thick house door and bathroom door;  
Surface finish: KJ ■, QGT ■



### MTF101110-170

材质：锌合金；  
标配：ST5550锁体，PJ-242锁头；  
适用：门厚35mm-48mm的房门、卫浴门；  
表面处理：K金(KJ)■、青古铜(QGT)■

### MTF101110-170

Material: Zinc Alloy;  
Lock Body: ST5550 lock body, PJ-242 lock head;  
Application: 35mm-48mm thick house door and bathroom door;  
Surface finish: KJ ■, QGT ■

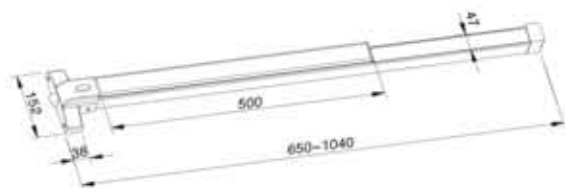


### A213B

材质：锌合金；  
功能：平移门

### A213B

Material: Zinc alloy.  
Application: Sliding door.



### 平推式推杠锁 FHS501

- 锁体采用不锈钢本色表面处理
- 标准件按1040mm长度出货，锁体长度小于此长度请自行切短，大于此长度的或者压板长度小于500mm的需重新定做。

### Horizontal sliding panic exit device FHS501

- Stainless steel nature finish.
- Standard size for delivery is 1040mm. If less than the length, please make your own cut short. The more than that of standard length or the pressed plate's is less than the 500MM which should be customized.

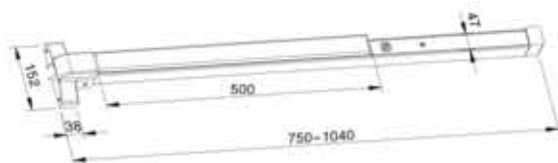


### 平推式推杠锁 FHS503

- 锁体采用不锈钢本色表面处理。
- 标准件按1040mm长度出货，锁体长度小于此长度请自行切短，大于此长度的或者压板长度小于500mm的需重新定做。标准件试用门高为2080~2130mm，超出此范围高度须定制。

### Horizontal sliding panic exit device FHS503

- Stainless steel nature finish.
- Standard size for delivery is 1040mm. If less than the length, please make your own cut short. The more than that of standard length or the pressed plate's is less than the 500MM which should be customized. Please note: doors with height ranging from 2080 to 2130mm, otherwise products should be customized.

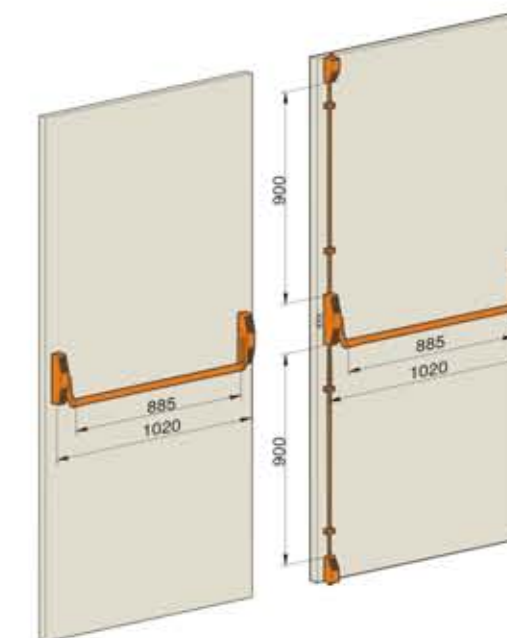
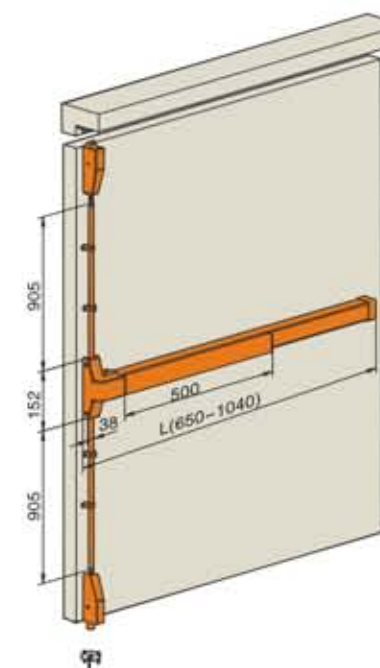


### 平推式推杠锁 FHS502

- 锁体采用不锈钢本色表面处理，带有报警功能。
- 标准件按1040mm长度出货，锁体长度小于此长度请自行切短，大于此长度的或者压板长度小于500mm的需重新定做。

### Horizontal sliding panic exit device FHS502

- Stainless steel nature finish with alarming function.
- Standard size for delivery is 1040mm. If less than the length, please make your own cut short. The more than that of standard length or the pressed plate's length is less than the 500MM which should be customized.



### 推杆锁说明及安装示意

- 通过国家固定灭火系统和耐火构件质量监督检验中心检测
- 产品无需区分左右，操作简单可靠，安装方便
- 锁身长度L可根据门扇宽度定做，适用门扇厚度40~60mm
- 适用于单开及双开门
- 适用于宾馆、写字楼、商场等公共场合

### Instruction for Panic Exit lock and Installation

- Pass the inspection of national fixed fire extinguishing systems and fire-resistant components quality supervision and inspection center.
- No difference between left and right. Easy installation and operation.
- The length of lock body shall be adjusted according to the width of door. The perfect door width is 40-60mm.
- Available to single slash or double slash door.
- Applicable for hotel, office building, market mall, etc.

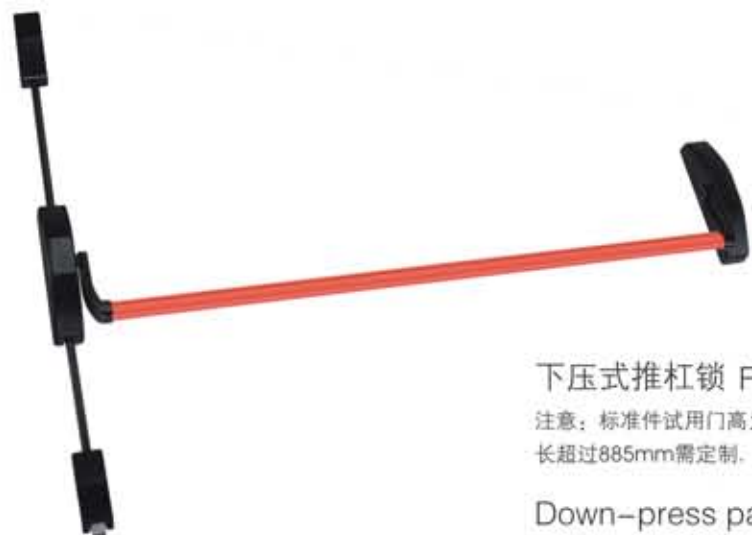


下压式推杠锁 FHS504

注意：压杆长超过885mm需定制

Down-press panic exit device FHS504

Please note: more than 885mm long push rod should be customized.



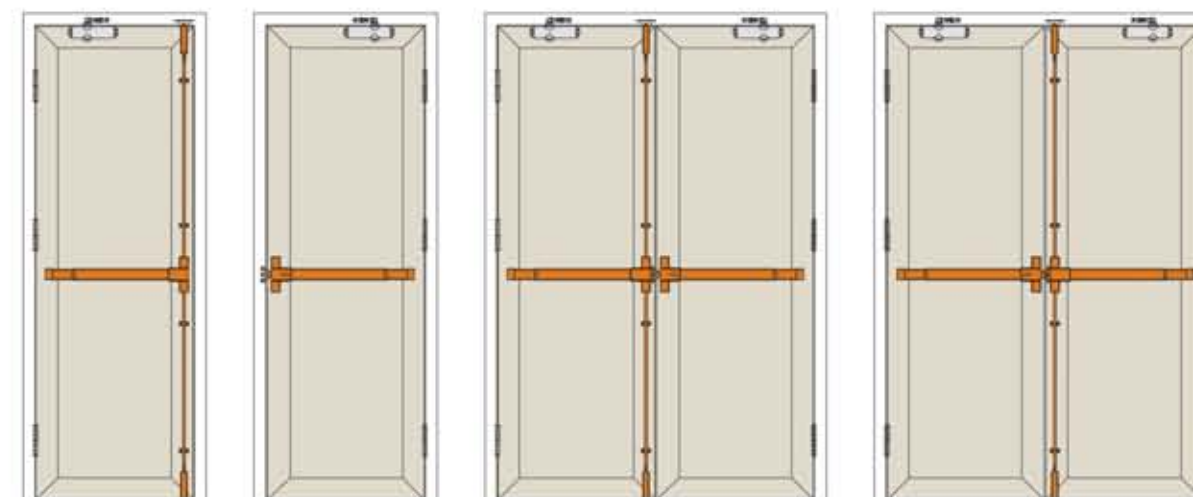
下压式推杠锁 FHS505

注意：标准件适用门高为2070-2130mm，超出此范围须定制，压杆长超过885mm需定制。

Down-press panic exit device FHS505

Please note: door with height ranging from 2070 to 2130mm, otherwise products should be customized. More than 885mm long push rod should be customized.

配置图 Configuration

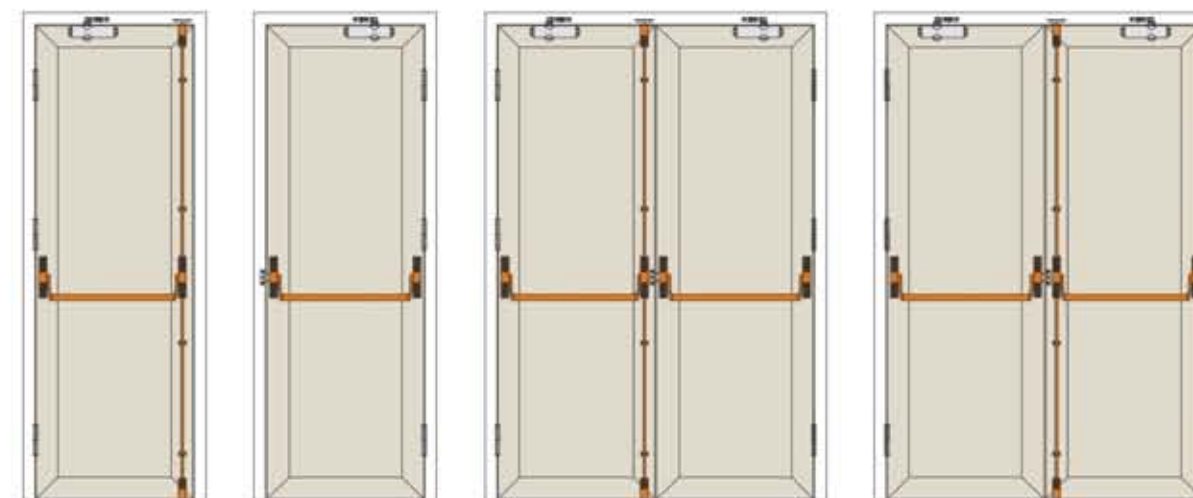


FHS503

FHS501

FHS503/FHS501

FHS501/FHS503



FHS505

FHS504

FHS505/FHS504

FHS504/FHS505

注意：逃生推杠锁必须安装在外开门内侧，左边推门为左开门，右边推门为右开门。

Please note: Panic exit device must be installed in the inner side of out-opening door, to push the door left called left-handed door, right called right-handed door.

# 酒店锁 HOTEL LOCK

外观端庄高雅，时尚大方；  
采用红外线技术，抗干扰能力强，就算周边有强磁场也不会影响开门；  
感应卡独自加密，不可被外部破解复制，安全性更高；  
选用美国ATMEL T 5557感应卡或者飞利浦的Mifare-1 S50 感应卡做为开门介质，可满足不同档次的酒店使用，为酒店提供了一卡通管理方案；  
采用国际标准的五锁舌结构，更安全保险。  
产品设计了三大报警功能，更大的提高了智能化，人性化；  
锁内存储器可存储达到999条开门记录，包括任何开门方式的开门记录；  
配备应急机械钥匙，可自行选择不同的管理方式；  
产品通过CE、FCC 认证。

The appearance of it is dignified and elegant, fashionable and generous.  
Using of infrared technology equips it with strong anti interference ability, even if surrounded by strong magnetic field does not affect its opening.  
Proximity card is encrypted separately, which prevent it from being externally cracked and copied, and equips it with higher security.  
Selecting American 5557 proximity card or Phillips Mifare-1 S50 proximity card as door-opening media, makes it meet needs from different grade hotels. It provides hotel with multi-approach management system.  
Adopting international standard of five-bolt structure provides it with more secure insurance.  
Designing three alarming function, improves its intelligence and humane in a greater degree.  
Lock memory can store up to 999 open records, including the record of any way to open the door.  
Equipping with emergency mechanical keys, clients can choose different management ways.  
Products have passed CE FCC certification.



## GYS200

材质: 黄铜;  
标配: DST9470锁体;  
适用: 门厚35mm-48mm的入户门、酒店房门;  
工作电压: DC6V, 4节1.5V碱性电池;  
静态电流: <math>< 15 \mu A</math>;  
动态电流: <math>< 120mA</math>;  
使用方式: 标配125KHz频率, (选做一卡通13.56MHz频率, 可与电梯、车库、餐饮一卡通管理);  
开门方式: 感应卡开门, 机械钥匙应急开门;  
特点: 外把手固定, 内把手应急逃生, 室内旋钮反锁, 门未锁好报警、低压报警提示。

## GYS200

Material: Brass;  
Matching: DS T9470 lock body;  
Application: 35mm-48mm thick entrance door and hotel room door;  
Working Voltage/ Power Supply: DC6V, 4\*1.5V AA alkaline batteries;  
Quiescent Current: <math>< 15 \mu A</math>;  
Dynamic Current: <math>< 120mA</math>;  
Operation method: Matched with 125KHz frequency, (13.56MHz for (MI) one-stop card which can be served for elevator, garage and catering);  
To open the door: Open with Radio Frequency Card, or with key for emergency;  
Characteristics: Outer handle for fixing, inner handle for emergency escape. Double locked from inside with knob. Unlock /low voltage Warning.



DST9470



### GYS100

材质: 锌合金;  
标配: DST9470锁体;  
适用: 门厚35mm-48mm的入户门、酒店房门;  
工作电压: DC6V, 4节1.5V碱性电池;  
静态电流: <math>< 15 \mu A</math>;  
动态电流: <math>< 120mA</math>;  
使用方式: 标配125KHz频率, (选做一卡通13.56MHz频率, 可与电梯、车库、餐饮一卡通管理);  
开门方式: 感应卡开门, 机械钥匙应急开门;  
特点: 外把手固定, 内把手应急逃生, 室内旋钮反锁, 门未锁好报警、低压报警提示。

### GYS100

Material: Zinc Alloy;  
Matching: DS T9470 lock body;  
Application: 35mm-48mm thick entrance door and hotel room door;  
Working Voltage/ Power Supply: DC6V, 4\*1.5V AA alkaline batteries;  
Quiescent Current: <math>< 15 \mu A</math>;  
Dynamic Current: <math>< 120mA</math>;  
Operation method: Matched with 125KHz frequency, (13.56MHz for (MI) one-stop card which can be served for elevator, garage and catering);  
To open the door: Open with Radio Frequency Card, or with key for emergency;  
Characteristics: Outer handle for fixing, inner handle for emergency escape. Double locked from inside with knob. Unlock /low voltage Warning.



DST9470

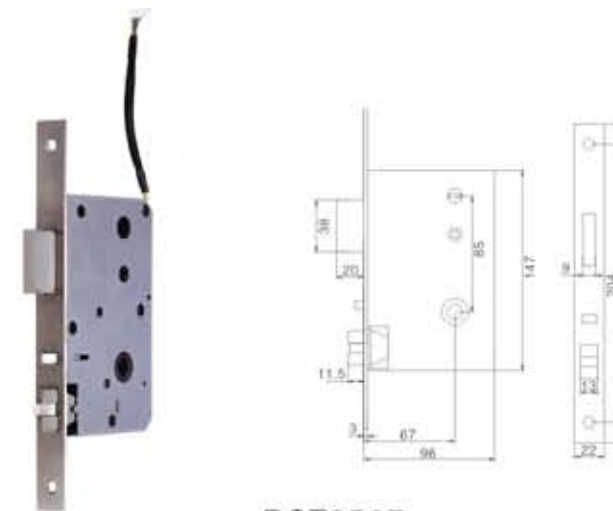


### GYS1500

材质: 锌合金;  
标配: DST8567锁体;  
适用: 门厚35mm-48mm的入户门、酒店房门;  
工作电压: DC6V, 4节1.5V碱性电池;  
静态电流: <math>< 15 \mu A</math>;  
动态电流: <math>< 120mA</math>;  
使用方式: 标配125KHz频率, (选做一卡通13.56MHz频率, 可与电梯、车库、餐饮一卡通管理);  
开门方式: 感应卡开门, 机械钥匙应急开门;  
特点: 外把手游离, 内外把手反提上锁, 室内把手紧急逃生, 门未锁好报警、低压报警提示。

### GYS1500

Material: Zinc Alloy;  
Matching: DS T8567 lock body;  
Application: 35mm-48mm thick entrance door and hotel room door;  
Working Voltage/ Power Supply: DC6V, 4\*1.5V AA alkaline batteries;  
Quiescent Current: <math>< 15 \mu A</math>;  
Dynamic Current: <math>< 120mA</math>;  
Operation method: Matched with 125KHz frequency, (13.56MHz for (MI) one-stop card which can be served for elevator, garage and catering);  
To open the door: Open with Radio Frequency Card, or with key for emergency;  
Characteristics: The outer handle free, the handle inside or outside handle-up automatically lock, inner handle for emergency escape. Unlock /low voltage Warning.



DST8567



### GYS400

材质: 锌合金;  
标配: DST9470锁体;  
适用: 门厚35mm-48mm的入户门、酒店房门;  
工作电压: DC6V, 4节1.5V碱性电池;  
静态电流: <math>< 15 \mu A</math>;  
动态电流: <math>< 120mA</math>;  
使用方式: 标配125KHz频率, (选做一卡通13.56MHz频率, 可与电梯、车库、餐饮一卡通管理);  
开门方式: 感应卡开门, 机械钥匙应急开门;  
特点: 外把手固定, 内把手应急逃生, 室内旋钮反锁, 门未锁好报警、低压报警提示。

### GYS400

Material: Zinc Alloy;  
Matching: DS T9470 lock body;  
Application: 35mm-48mm thick entrance door and hotel room door;  
Working Voltage/ Power Supply: DC6V, 4\*1.5V AA alkaline batteries;  
Quiescent Current: <math>< 15 \mu A</math>;  
Dynamic Current: <math>< 120mA</math>;  
Operation method: Matched with 125KHz frequency, (13.56MHz for (MI) one-stop card which can be served for elevator, garage and catering);  
To open the door: Open with Radio Frequency Card, or with key for emergency;  
Characteristics: Outer handle for fixing, inner handle for emergency escape. Double locked from inside with knob. Unlock /low voltage Warning.



DST9470

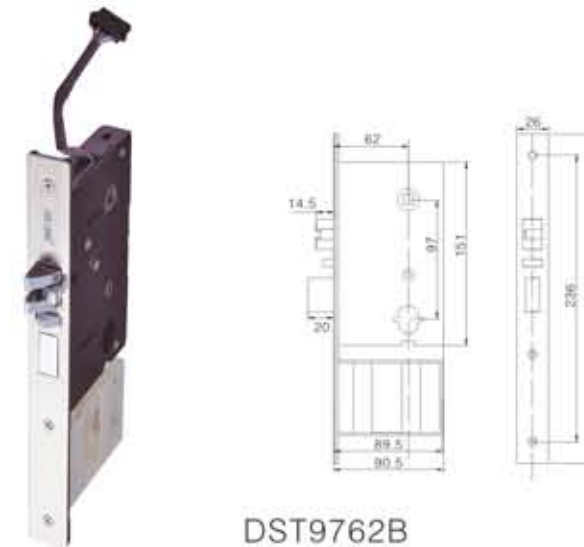


### GYS900

材质: 黄铜锻造;  
标配: DST9762B锁体;  
适用: 门厚35mm-48mm的入户门、酒店房门;  
工作电压: DC6V, 4节1.5V碱性电池;  
静态电流: <math>< 15 \mu A</math>;  
动态电流: <math>< 120mA</math>;  
使用方式: 标配125KHz频率, (选做一卡通13.56MHz频率, 可与电梯、车库、餐饮一卡通管理);  
开门方式: 感应卡开门, 机械钥匙应急开门;  
特点: 外把手固定, 内把手应急逃生, 室内旋钮反锁, 门未锁好报警、低压报警提示。

### GYS900

Material: Brass;  
Matching: DST9762B lock body;  
Application: 35mm-48mm thick entrance door and hotel room door;  
Working Voltage/ Power Supply: DC6V, 4\*1.5V AA alkaline batteries;  
Quiescent Current: <math>< 15 \mu A</math>;  
Dynamic Current: <math>< 120mA</math>;  
Operation method: Matched with 125KHz frequency, (13.56MHz for (MI) one-stop card which can be served for elevator, garage and catering);  
To open the door: Open with Radio Frequency Card, or with key for emergency;  
Characteristics: Outer handle for fixing, inner handle for emergency escape. Double locked from inside with knob. Unlock /low voltage Warning.

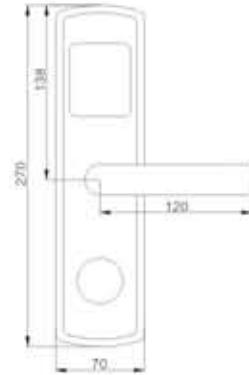


DST9762B



### GYS1200

材质: 锌合金;  
标配: DST9470锁体;  
适用: 门厚35mm-48mm的入户门、酒店房门;  
工作电压: DC6V, 4节1.5V碱性电池;  
静态电流: <math>< 15 \mu A</math>;  
动态电流: <math>< 120mA</math>;  
使用方式: 标配125KHz频率, (选做一卡通13.56MHz频率, 可与电梯、车库、餐饮一卡通管理);  
开门方式: 感应卡开门, 机械钥匙应急开门;  
特点: 外把手固定, 内把手应急逃生, 室内旋钮反锁, 门未锁好报警、低压报警提示。



### GYS1200

Material: Zinc Alloy;  
Matching: DS T9470 lock body;  
Application: 35mm-48mm thick entrance door and hotel room door;  
Working Voltage/ Power Supply: DC6V, 4\*1.5V AA alkaline batteries;  
Quiescent Current: <math>< 15 \mu A</math>;  
Dynamic Current: <math>< 120mA</math>;  
Operation method: Matched with 125KHz frequency, (13.56MHz for (MI) one-stop card which can be served for elevator, garage and catering);  
To open the door: Open with Radio Frequency Card, or with key for emergency;  
Characteristics: Outer handle for fixing, inner handle for emergency escape. Double locked from inside with knob. Unlock /low voltage Warning.



DST9762C



## 智能柜锁 ZNGS SMART CABINET LOCK ZNGS

### 产品功能特点

外形大方美观  
储藏式拉手设计  
单、双卡开门模式选着  
防撬锁舌设计, 安全可靠  
门锁三级管理安全简易  
欠压报警功能  
应急供电功能  
卡片类型: TM卡片

### 产品技术参数

工作电压: 6伏 (4节碱性电池)  
静态电流: <math>< 4 \mu A</math>  
工作状态: <math>< 300 mA</math>  
报警电压: <math>< 4.6伏 (V)</math>

### FEATURES

Beautiful and elegant appearance  
Concealed handled design  
Single and double card unlocking modes  
Anti-thief latch design  
Three Hierarchy Lock Management  
Warning when Low voltage  
Power supply when emergency  
Card Type: TM card

### TECHNOLOGICAL PARAMETER

Power supply : <math>< 6.0(4 \times 1.5aa \text{ alkaline batteries})</math>  
Dynamic Current: <math>< 4 \mu A</math>;  
Quiescent Current: <math>< 300 mA</math>  
Warning Voltage: <math>< 4.6伏 (V)</math>



ZNGS100 亮铬  
(Bright chrome)



ZNGS100  
金色 (Gold)



ZNGS200 不锈钢色  
(Color of stainless steel)



ZNGS200  
金色 (Gold)



QDK-11/QDK-13



QDK-12/QDK-14



QDK-15/QDK-17



QDK-16/QDK-18

### 取电开关

材质: 阻燃PC;  
外形尺寸: 86mmx86mmx50mm;  
工作电压: 220V;  
工作电流: 30A;  
使用方式: 根据选用的酒店锁选用对应的  
125KHz (一卡通13.56MHz) 频率;  
工作方式: 电磁感应, 未工作时红灯指示;  
接线方式: 火线输入、输出, 零线三线即可

### Electric Switch

Material: flame retardant PC;  
Contour Dimension: 86mmx86mmx50mm;  
Power Supply: 220V;  
Working Current: 30A;  
Operation Method: Choose the corresponding 125KHz  
(13.56MHz for on-stop card) frequency according to the hotel  
locks  
Working Method: Electromagnetic induction, Red light is  
turned on out of work;  
Wire Connection Method: Wires under voltage for input and  
output, along with Earth Wire, three wires in total is OK.

### 取电开关

材质: 阻燃PC;  
外形尺寸: 86mmx86mmx50mm;  
工作电压: 220V;  
工作电流: 30A;  
使用方式: 根据选用的酒店锁选用对应的  
125KHz (一卡通13.56MHz) 频率;  
工作方式: 电磁感应, 未工作时红灯指示;  
接线方式: 火线输入、输出, 零线三线即可

### Electric Switch

Material: flame retardant PC;  
Contour Dimension: 86mmx86mmx50mm;  
Power Supply: 220V;  
Working Current: 30A;  
Operation Method: Choose the corresponding 125KHz  
(13.56MHz for on-stop card) frequency according to the hotel  
locks  
Working Method: Electromagnetic induction, Red light is  
turned on out of work;  
Wire Connection Method: Wires under voltage for input and  
output, along with Earth Wire, three wires in total is OK.



### 读写器

READ-WRITE DEVICE

### DXQ-1(RF57/M1卡USB系统)

#### 感应卡读写器技术参数

额定电流: 5V (USB总线供电);  
整机电流: < 120毫安;  
操作距离: ≤90mm;  
通信方式: RS232/USB;  
操作频率: 125KHZ/13.56MHZ。

#### TECHNOLOGICAL PARAMETER OF MF.CARD

Power supply: 5V (by USB);  
Device current: < 120Am;  
Operation distance: ≤90mm;  
Communication mode: RS232/USB;  
Operation frequency: 125KHZ/13.56MHZ.



### DXQ-8

#### 感应卡读写器技术参数

额定电流: 5V (USB总线供电);  
整机电流: < 120毫安;  
操作距离: ≤90mm;  
通信方式: RS232/USB;  
操作频率: 125KHZ/13.56MHZ。

#### TECHNOLOGICAL PARAMETER OF MF.CARD

Power supply: 5V (USB总线供电);  
Device current: < 120毫安;  
Operation distance: ≤90mm;  
Communication mode: RS232/USB;  
Operation frequency: 125KHZ/13.56MHZ.



SJC-1



SJC-2

### 数据采集器

需要用RF引导卡进行信号引导;  
在70毫米距离内打开电源开关, 进行数据采集;  
在采集完毕后有滴声提示, 在采集数据时采集  
终端将有红灯闪烁提示;  
RF型号支持RF125KHZ M1 13.56MHZ通讯协议终端智能门锁;  
存储容量为200条数据。

#### DATA COLLECTOR

RF guiding card is needed to guide the signal;  
To collect data within 70mm distance after switching on power;  
When collecting data, the red light on the device will keep twinkling  
until a tick sound meaning done;  
Supporting the intelligent lock with RF 125KHZ 13.56MHZ protocol terminal;  
Memory capacity: 200 data items;



### T5557卡技术参数

技术规格: 使用美国ATMEL T5557感应卡作为开门卡;  
制作工艺: 在PVC表面嵌入电子模和感应线圈来存储信息;  
读卡方式: 非接触感应式(又称非接触式IC卡);  
存储容量: 330bits, 10分区, 8位密码32字节;  
读写特性: 可读、可写、可加密;  
擦写寿命: >100,000次;  
读写距离: 0-50mm;  
数据保存期: >10年;  
系统逻辑: 防冲突机制;  
工作频率: 125KHz;  
通讯速率: 106Kbps

### T5557 TECHNOLOGICAL PARAMETER

RF card:adopting American ATMEL RF card as the Unlocking card  
Fabrication process:embedding electric-module and induction coil into the PVC surface so as to store information  
TO read card:non-contact IC card  
Storage capacity:330 bits with 10 partitions, 8-digit password and 32 bytes  
Read-write characters:be able to read, write and code  
Erasing and writing lire:>100,000 times  
Read-write distance:0-50 mm.  
Data-storage life:>10 years  
Logic system:anti-collision mechanism  
Operation frequency:125 KHz  
Signaling rate:106 Kbps

### RF-S50卡技术参数:

制作工艺: PVC表面嵌入电子模块, 感应线圈传输数据能量存储信息, 唯一编号;  
读卡方式: 非接触感应式符合ISO / IEC14443A类接口标准;  
存储容量: 1 K字节, 16分区, 每区4块, 每块16个字节;  
读写特性: 可读、可写、可加密;  
数据保存期: >10年;  
擦写寿命: >100,000次;  
读写距离: 0-100mm;  
工作频率: 13.56MHZ;  
数据传输速率: 1.06Kbps.

### RF-S50 TECHNOLOGICAL PARAMETER

Fabrication Process:embedding electric-module and induction coil into the PVC store information, and Unique card manufacture code. worldwide;  
To read card:contactless interface according to WD ISO / IEC14443, typeA;  
Storage capacity:1K bytes, 16sectors, 16 bytes perblock, 4blocks persector;  
Read-write characters:read, Write and code.  
Date storage dU ration:>10 years.  
Erasing and writing life:>100,000 times.  
Read-write distance:up to 100mm.  
Working freqUency:13.56 MHZ.  
Date transferring rate:106k bits per second

# CONSTRUCTION HARDWARE EXPERT

## 建筑五金专家

### 手腕带 (TM卡)

WRIST BELT (TM Card)



TM-003

注: TM卡适用于智能柜锁

Notes: TM card smart lock for cabinet



TM-002(红、黄、蓝)

TM-002(Red, Yellow, Blue)

# 五金配件 HARDWARE ACCESSORY

坚朗五金配件产品齐全，款式多样，其功能涵盖了建筑行业的所有需求，选用纯SUS304不锈钢、纯铜、高质锌合金、太空铝合金等不同材料进行精工细作，产品质量高；

全部产品依据ISO9001质量标准进行设计，在生产、销售、服务全过程中均受ISO9001质量监控，产品参数均到达甚至超过本行业的最高标准，最大限度的满足于公共建筑设施、商建、住宅等多方位建筑要求。

Kin long Hardware products have diverse styles. Its functions cover all the needs of the construction industry. Selecting different material of pure S 304, copper, high quality of zinc alloy and space aluminum alloy with finely machining, makes products of good quality.

All products are based on the ISO90001 quality standard. In the whole procedure of produce, sales and customer service, they all strictly monitored by ISO90001. As the result, the main parameters all reached or even exceed the highest edition of quality standard. As to the surface finish, we can make according to customers' requirements, which meets multi-requirements of public constructions, business buildings, and apartments in maximum degree.



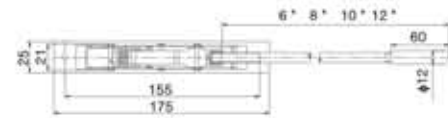


★ 不锈钢插销  
CX201

材质: 不锈钢;  
尺寸: 6"、8"、10"、12"  
表面处理: 亚光 (YG)  
金色 (PVD)、青古铜 (QGT)

★ STAINLESS STEEL LATCH  
CX201

Material: Stainless steel  
Size: 6", 8", 10", 12"  
Surface Finish: Stain  
PVD, QGT

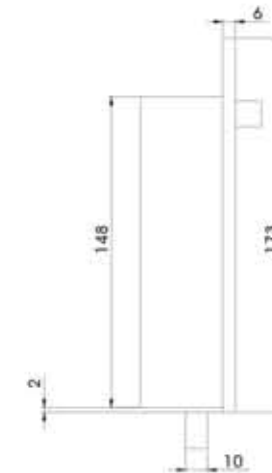


右式自动插销

注: 该插销分左右式, 选购时要注明

Automatic Latch (right)  
notes: the sockets distinguish right and left; please clarify which kind of socket you will purchase

木门自动插销  
Wooden door automatic socket  
CX206-亚光 Satin

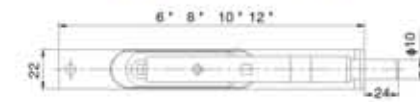


不锈钢插销  
CX202

材质: 不锈钢;  
尺寸: 6"、8"、10"、12"  
表面处理: 亚光 (YG)  
金色 (PVD)、青古铜 (QGT)

STAINLESS STEEL LATCH  
CX202

Material: Stainless steel  
Size: 6", 8", 10", 12"  
Surface Finish: Stain  
PVD, QGT



不锈钢插销  
CX204

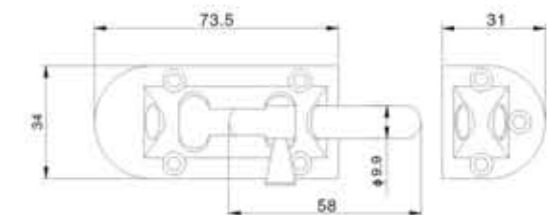
材质: 不锈钢;  
尺寸: 203×20  
表面处理: 亚光 (YG)  
金色 (PVD)、青古铜 (QGT)

STAINLESS STEEL LATCH  
CX204

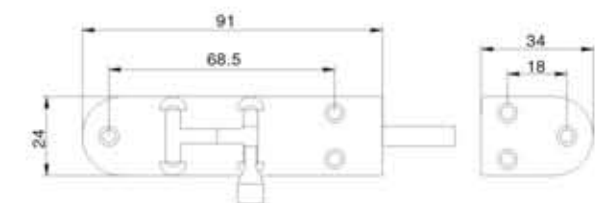
Material: Stainless steel  
Size: 203×20  
Surface Finish: Stain  
PVD, QGT



不锈钢插销  
Stainless steel latch  
CX211E - 亚光 Satin



不锈钢插销  
Stainless steel latch  
CX212E - 亚光 Satin



FCX-01 防尘器  
Dust-proof



安装方式  
Installation method



★ 防火插销 Fire latch



双钉防盗合页  
Double stings anti-theft pivot hinge



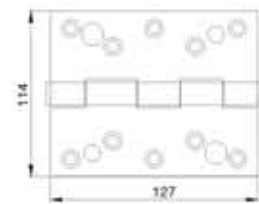
双钉防盗合页  
Double stings anti-theft pivot hinge



单钉防盗合页  
Single stings anti-theft pivot hinge

★ MJ179

材质: 304不锈钢;  
尺寸: 5" × 4.5" × 6.0  
表面处理: 青古铜 (QGT) ■  
金色 (PVD) ■、亚光 (YG) ■



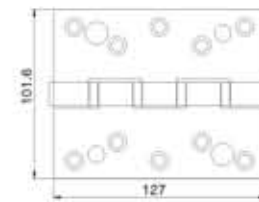
★ MJ179

Material: Stainless steel 304  
Size: 5" × 4.5" × 6.0  
Surface Finish: QGT ■  
PVD ■、Stain ■



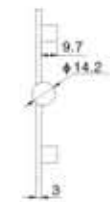
★ MJ022

材质: 304不锈钢;  
尺寸: 5" × 4.5" × 3.0-4BB  
表面处理: 青古铜 (QGT) ■  
金色 (PVD) ■、亚光 (YG) ■



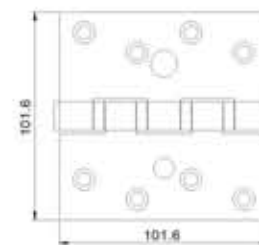
★ MJ022

Material: Stainless steel 304  
Size: 5" × 4.5" × 3.0-4BB  
Surface Finish: QGT ■  
PVD ■、Stain ■



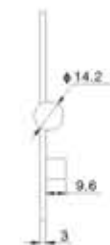
★ MJ021

材质: 304不锈钢;  
尺寸: 4" × 4" × 3.0-4BB  
表面处理: 青古铜 (QGT) ■  
金色 (PVD) ■、亚光 (YG) ■



★ MJ021

Material: Stainless steel 304  
Size: 4" × 4" × 3.0-4BB  
Surface Finish: QGT ■  
PVD ■、Stain ■

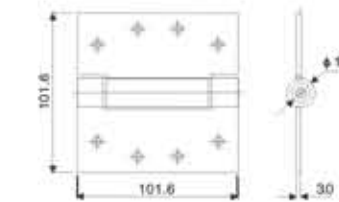


弹簧合页  
Hinge with Spring



MJ086

材质: 304不锈钢;  
尺寸: 4" × 4" × 3.0  
表面处理: 青古铜 (QGT) ■  
金色 (PVD) ■、亚光 (YG) ■

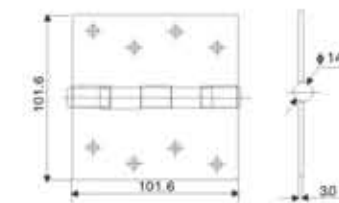


MJ086

Material: Stainless steel 304  
Size: 4" × 4" × 3.0  
Surface Finish: QGT ■  
PVD ■、Stain ■

★ MJ042D

材质: 304不锈钢;  
尺寸: 4" × 4" × 3.0-4BB  
表面处理: 青古铜 (QGT) ■  
金色 (PVD) ■、亚光 (YG) ■

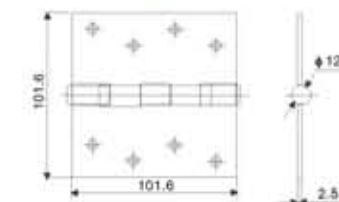


★ MJ042D

Material: Stainless steel 304  
Size: 4" × 4" × 3.0  
Surface Finish: QGT ■  
PVD ■、Stain ■

MJ042

材质: 304不锈钢;  
尺寸: 4" × 4" × 2.5-2BB  
表面处理: 青古铜 (QGT) ■  
金色 (PVD) ■、亚光 (YG) ■

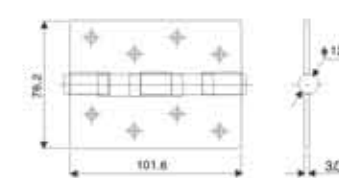


MJ042

Material: Stainless steel 304  
Size: 4" × 4" × 2.5  
Surface Finish: QGT ■  
PVD ■、Stain ■

★ MJ176

材质: 304不锈钢;  
尺寸: 4" × 4" × 3.0-4BB  
表面处理: 青古铜 (QGT) ■  
金色 (PVD) ■、亚光 (YG) ■



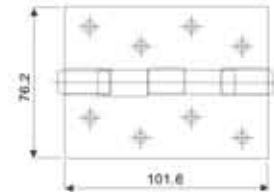
★ MJ176

Material: Stainless steel 304  
Size: 4" × 4" × 3.0-4BB  
Surface Finish: QGT ■  
PVD ■、Stain ■



**MJ041**

材质: 304不锈钢;  
尺寸: 4" × 3" × 2.5-2BB  
表面处理: 青古铜 (QGT) ■  
金色 (PVD) ■、亚光 (YG) ■



**MJ041**

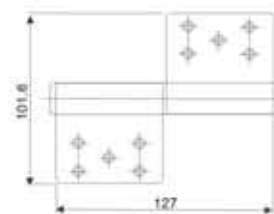
Material: Stainless steel 304  
Size: 4" × 3" × 2.5-2BB  
Surface Finish: QGT ■  
PVD ■、Stain ■



旗型合页

★ **MJF082**

材质: 304不锈钢;  
尺寸: 5" × 4" × 3.0  
表面处理: 青古铜 (QGT) ■  
金色 (PVD) ■、亚光 (YG) ■



★ **MJF082**

Material: Stainless steel 304  
Size: 5" × 4" × 3.0  
Surface Finish: QGT ■  
PVD ■、Stain ■

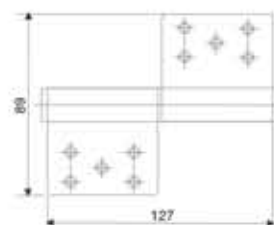


旗型合页

★ 防火合页 Fire Hinge

★ **MJF081**

材质: 304不锈钢;  
尺寸: 5" × 3.5" × 3.0  
表面处理: 青古铜 (QGT) ■  
金色 (PVD) ■、亚光 (YG) ■



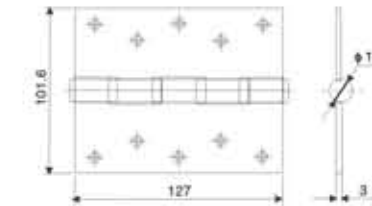
★ **MJF081**

Material: Stainless steel 304  
Size: 5" × 3.5" × 3.0  
Surface Finish: QGT ■  
PVD ■、Stain ■



**MJ063**

材质: 304不锈钢;  
尺寸: 5" × 4" × 3.0-4BB  
表面处理: 青古铜 (QGT) ■  
金色 (PVD) ■、亚光 (YG) ■



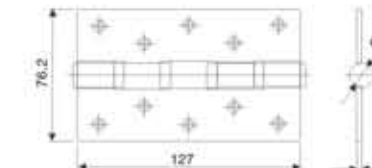
**MJ063**

Material: Stainless steel 304  
Size: 5" × 4" × 3.0-4BB  
Surface Finish: QGT ■  
PVD ■、Stain ■



★ **MJ061**

材质: 304不锈钢;  
尺寸: 5" × 3" × 3.0-4BB  
表面处理: 青古铜 (QGT) ■  
金色 (PVD) ■、亚光 (YG) ■



★ **MJ061**

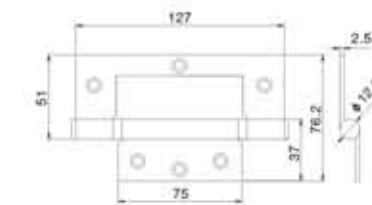
Material: Stainless steel 304  
Size: 5" × 3" × 3.0-4BB  
Surface Finish: QGT ■  
PVD ■、Stain ■



子母合页  
Composite hinge

**MJ036**

材质: 304不锈钢;  
尺寸: 5" × 3" × 2.5-2BB  
表面处理: 青古铜 (QGT) ■  
金色 (PVD) ■、亚光 (YG) ■



**MJ036**

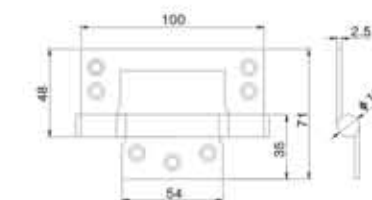
Material: Stainless steel 304  
Size: 5" × 3" × 2.5-2BB  
Surface Finish: QGT ■  
PVD ■、Stain ■



子母合页  
Composite hinge

**MJ035**

材质: 304不锈钢;  
尺寸: 100 × 71 × 2.5-2BB  
表面处理: 青古铜 (QGT) ■  
金色 (PVD) ■、亚光 (YG) ■



**MJ035**

Material: Stainless steel 304  
Size: 100 × 71 × 2.5-2BB  
Surface Finish: QGT ■  
PVD ■、Stain ■



右式合页 DIN RIGHT LAND



### 三维可调隐藏式铰链BJ001

THREE DIMENSION ADJUSTABLE AND CONCEALED FRICTION STAY BJ001

#### 主要功能特点:

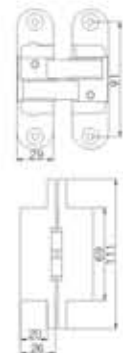
- 适用于木质门、平开门;
- 分左右式合页;
- 隐藏安装方式;
- 三维可调范围: 上下1mm, 左右1mm, 前后1mm
- 180开启角度
- 材质: 特种锌合金
- 2只承重40Kg

#### Features

- For wooden door, for flush doors
- Right & Left pivot hinge
- Concealed installation
- With 3D adjustabal; height 1mm, depth 1mm and width 1mm
- Opening 180
- Made of spexial zinc alloy
- 2 only bearing 40kg



右式合页 DIN RIGHT LAND



### 三维可调隐藏式铰链BJ002

THREE DIMENSION ADJUSTABLE AND CONCEALED FRICTION STAY BJ002

#### 主要功能特点:

- 适用于木质门、平开门;
- 分左右式合页;
- 隐藏安装方式;
- 三维可调范围: 上下1.5mm, 左右1mm, 前后1mm
- 180开启角度
- 材质: 特种锌合金
- 2只承重60Kg

#### Features

- For wooden door, for flush doors
- Right & Left pivot hinge
- Concealed installation
- With 3D adjustabal; height 1.5mm, depth 1mm and width 1mm
- Opening 180
- Made of spexial zinc alloy
- 2 only bearing 60kg



### 不锈钢暗铰链AJ010

材质: 304不锈钢精铸;  
2只承重120kg

STAINLESS STEEL FRICTION STAY AJ010

Material: 304 Stainless steel precision;  
2 only bearing 120kg



### 不锈钢暗铰链AJ011

材质: 304不锈钢精铸;  
2只承重120kg

STAINLESS STEEL FRICTION STAY AJ011

Material: 304 Stainless steel precision;  
2 only bearing 120kg

### 顺位器 SW101

- 本体采用304不锈钢精密铸造, 美观耐用
- 简单实用型设计, 安装方便
- 可有效控制门扇的关闭次序
- 适用于具有自动闭门功能、带企口的双开门

- Precisely cast with staniess steel 304, graceful and wearable.
- Simple and applied design, easy to install.
- Control the sequence of closing effectively.
- Suit for tongued-and-grooved, double-open door with automatic closing device.



### 顺位器安装示意图 Installation of close device

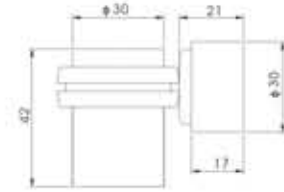


门吸DS003

材质: 锌合金;  
表面处理: K金 (KJ) ■, 青古铜 (QGT) ■, 镍拉丝 (NLS) ■

DOOL STOPPER DS003

Material: zinc alloy;  
Surface treatment: KJ ■, QGT ■, NLS ■

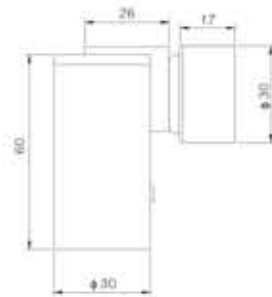


门吸DS002

材质: 锌合金;  
表面处理: K金 (KJ) ■, 青古铜 (QGT) ■, 镍拉丝 (NLS) ■

DOOL STOPPER DS002

Material: zinc alloy;  
Surface treatment: KJ ■, QGT ■, NLS ■

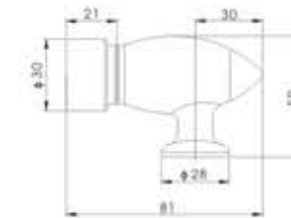


门吸DS004

材质: 锌合金;  
表面处理: K金 (KJ) ■, 青古铜 (QGT) ■, 镍拉丝 (NLS) ■

DOOL STOPPER DS004

Material: zinc alloy;  
Surface treatment: KJ ■, QGT ■, NLS ■



门吸DS005

材质: 锌合金;  
表面处理: K金 (KJ) ■, 青古铜 (QGT) ■, 镍拉丝 (NLS) ■

DOOL STOPPER DS005

Material: zinc alloy;  
Surface treatment: KJ ■, QGT ■, NLS ■

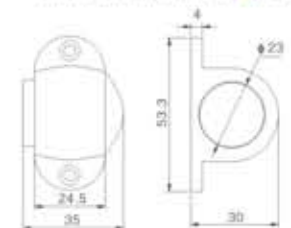


门吸DS001

材质: 锌合金;  
表面处理: K金 (KJ) ■, 青古铜 (QGT) ■, 镍拉丝 (NLS) ■

DOOL STOPPER DS001

Material: zinc alloy;  
Surface treatment: KJ ■, QGT ■, NLS ■



安装示意图 INSTALLATION ILLUSTRATION

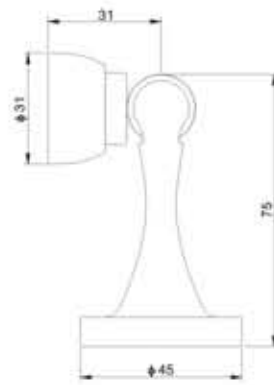


门吸DS100E

材质: 不锈钢;  
表面处理: 亚光 (YG) ■

DOOL STOPPER DS100E

Material: stainless steel;  
Surface treatment: Stain ■

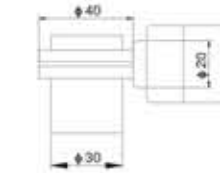


门吸DS102E

材质: 不锈钢;  
表面处理: 亚光 (YG) ■

DOOL STOPPER DS102E

Material: stainless steel;  
Surface treatment: Stain ■

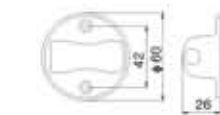


门吸DS103E

材质: 不锈钢;  
表面处理: 亚光 (YG) ■

DOOL STOPPER DS103E

Material: stainless steel;  
Surface treatment: Stain ■

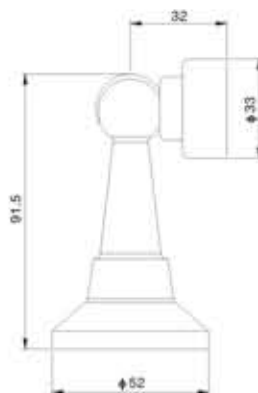


门吸DS101E

材质: 不锈钢;  
表面处理: 亚光 (YG) ■

DOOL STOPPER DS101E

Material: stainless steel;  
Surface treatment: Stain ■



门吸DS008E

材质: 不锈钢;  
表面处理: 亚光 (YG) ■

DOOL STOPPER DS008E

Material: stainless steel;  
Surface treatment: Stain ■



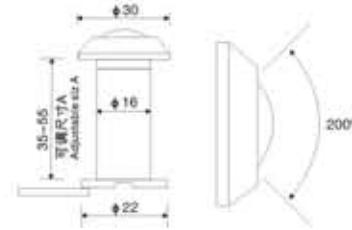
门镜MA200-16

材质: 锌合金;  
表面处理: 镍拉丝 (NLS) ■



PEEPHOLE MA200-16

Material: zinc allo;  
Surface treatment: NLS ■



门镜MA200-26

材质: 黄铜;  
表面处理: K金 (KJ) ■



PEEPHOLE MA200-26

Material: Brass;  
Surface treatment: KJ ■



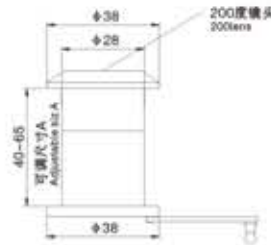
门镜MA200-28

材质: 不锈钢;  
表面处理: 亚光 (YG) ■



PEEPHOLE MA200-28

Material: stainless steel;  
Surface treatment: Stain ■



防盗扣BC-01

材质: 锌合金;  
表面处理: K金 (KJ) ■; 镍拉丝 (NLS) ■

DOOR SAFETY BC-01

Material: zinc alloy;  
Surface treatment: KJ ■, NLS ■



防盗扣BC-02

材质: 锌合金;  
表面处理: K金 (KJ) ■; 镍拉丝 (NLS) ■

DOOR SAFETY BC-02

Material: zinc alloy;  
Surface treatment: KJ ■, NLS ■



防盗链BC-06

材质: 锌合金;  
表面处理: K金 (KJ) ■; 镍拉丝 (NLS) ■

DOOR CHAIN BC-06

Material: zinc alloy;  
Surface treatment: KJ ■, NLS ■



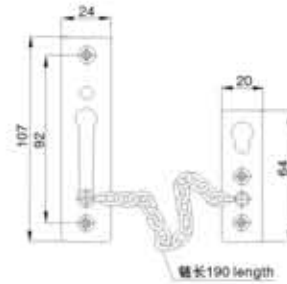


防盗链BC-03

材质: 不锈钢;  
表面处理: 亚光 (YG) ■

DOOR CHAIN BC-03

Material: stainless steel;  
Surface treatment: Stain ■

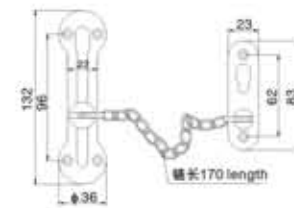


防盗链BC-04E

材质: 不锈钢;  
表面处理: 亚光 (YG) ■

DOOR CHAIN BC-04E

Material: stainless steel;  
Surface treatment: Stain ■

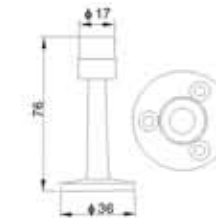
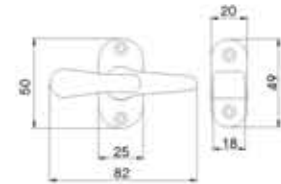


防盗链BC-05E

材质: 不锈钢;  
表面处理: 亚光 (YG) ■

DOOR CHAIN BC-05E

Material: stainless steel;  
Surface treatment: Stain ■

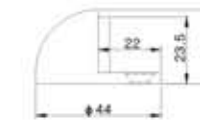


门顶MD-01

材质: 锌合金;  
表面处理: 镍拉丝 (NLS) ■

DOORHOLDER MD-01

Material: zinc alloy;  
Surface treatment: NLS ■



门顶MD002E

材质: 不锈钢;  
表面处理: 亚光 (YG) ■

DOORHOLDER MD002E

Material: stainless steel;  
Surface treatment: Stain ■

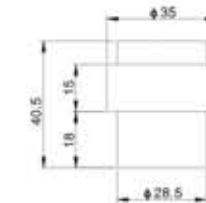


门顶MD003E

材质: 不锈钢;  
表面处理: 亚光 (YG) ■

DOORHOLDER MD003E

Material: stainless steel;  
Surface treatment: Stain ■



门顶MD007E

材质: 不锈钢;  
表面处理: 亚光 (YG) ■

DOORHOLDER MD007E

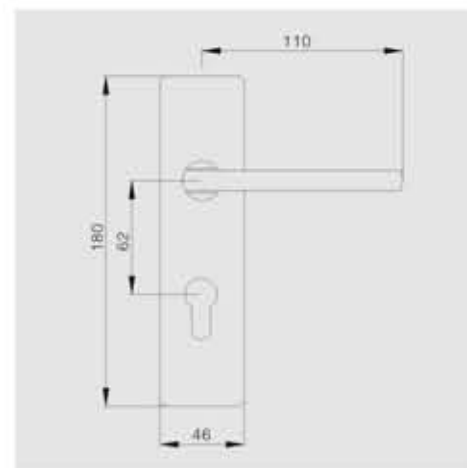
Material: stainless steel;  
Surface treatment: Stain ■

# 锁具知识园地

## LOCK KNOWLEDGE FIELD

### 门锁型号说明

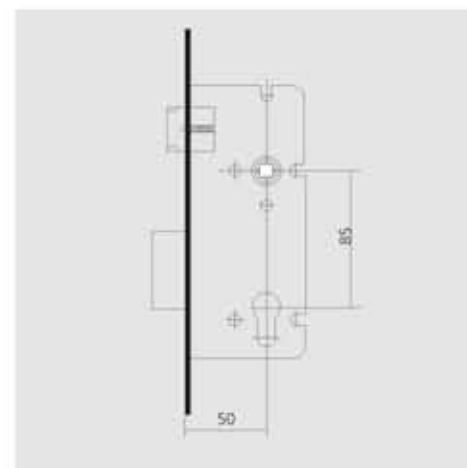
Lock type description



执手面板 Panel

**MS F/W 04 07 NLS**

表面处理 Surface finish  
执手代号 Handle code  
面板代号 Panel code  
房门锁(F:房门锁;W:卫浴锁)  
House door lock (F:house door lock; W: shower room lock)  
系列代号 Series code



锁体 Lock body

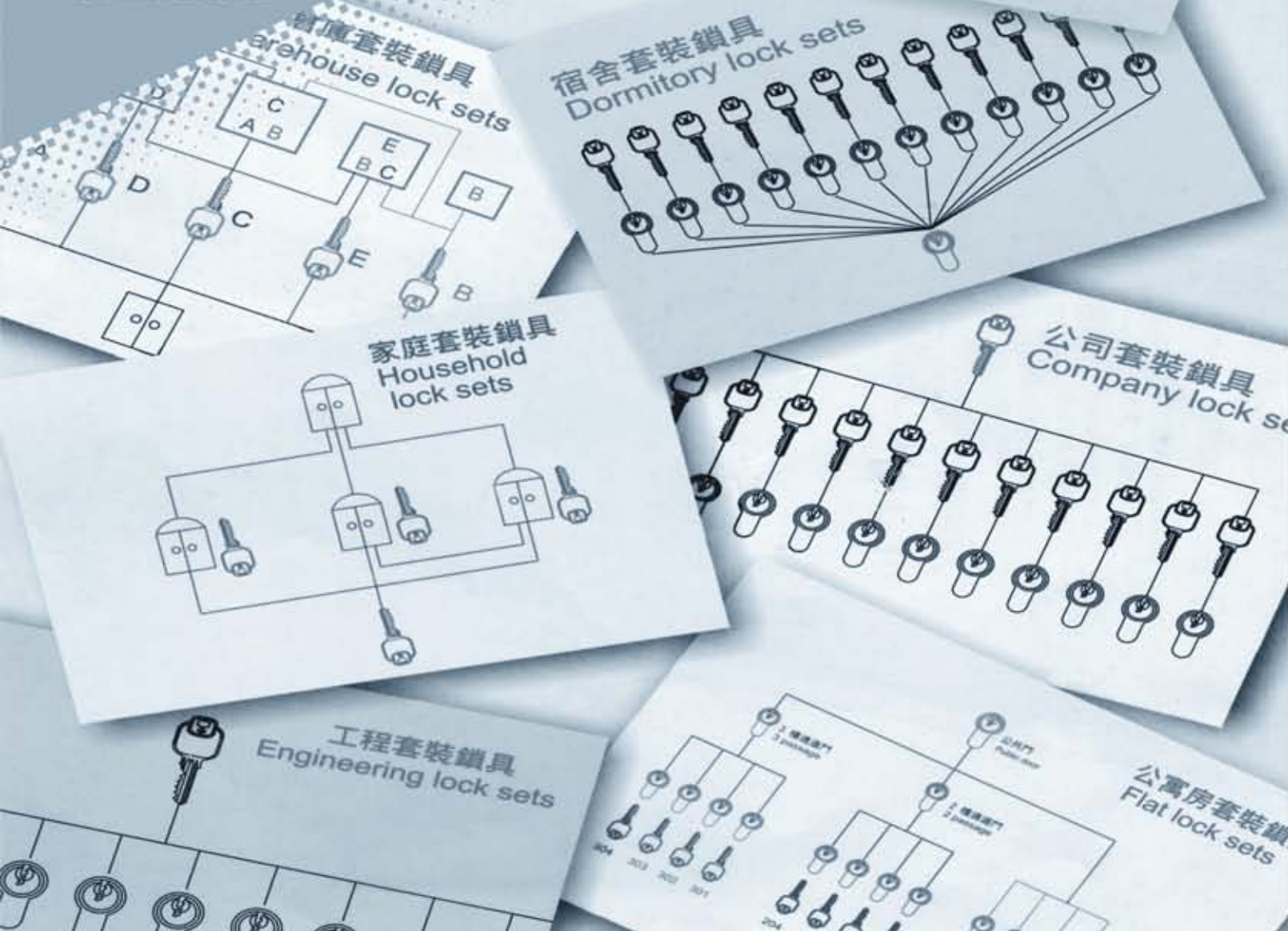
**ST 85 50**

安装中心距 Hole to surface distance  
中心间距 Hole to hole distance  
锁体 Lock body

### 表面处理

Surface treatment

代号	NLS	ZZB	DL	LLS	KJ	QGT	SL
表面处理	镍拉丝	珍珠白	亮铬	铬拉丝	K金	青古铜	砂铬
颜色							



钥匙管理系统可实现以下功能特点:

1. 家庭套装: 主人可开所有的房间, 其余可开各自的房间及大门, 佣人还可开客房门。
2. 办公套装: 总经理可开所有的门, 其余可开各自管辖的办公室。
3. 仓库套装: 各人可开各自的仓库A、B、C, 还可以开其它相关公共仓库。
4. 公寓套装: 各住户可开公共门、楼层通道门和各自的入户门。
5. 工程套装: 一把钥匙可以开启所有的门。
6. 宿舍套装: 每把钥匙可以开启公共门和自己的门。
7. 公司套装: 各人可开自己的门, 总钥匙可以开所有的门。

Key Management System can help realize the following functional features:

1. Household key set: The owners are able to open all rooms while others just can open their own rooms, but servants the guest rooms as well;
2. Office Key Set: The general manager is able to open all rooms, while others only the rooms in their authority;
3. Warehouse Key Set: Every one is able to open his own warehouse A,B,C, and also related public ones;
4. Department Key Set: All residents are able to open all public and floor access doors as well as their own department doors
5. Project Key Set: With one key to open all doors;
6. Dormitory Key Set: One key is able to open the public and the private owned Doors;
7. Company Key Set: Everyone can own his own door, and the master key is able to open all doors.

您会担心员工离职时将钥匙拿走而考虑重新换锁的烦恼吗? 您会为了您的房客搬离而考虑换锁的烦恼吗? 您会为您的钥匙遗失使您感到不安吗?

Is that worry you to change key when your employee and lodger leave with the key?  
Do you feel uneasy about the lost key?



为了使阁下高枕无忧, 坚朗公司引进国外最新科技产品: 2合1、3合1秘密锁, 只要将钥匙轻轻一转, 便可解决以上烦恼。

钥匙使用次序: 首先请使用绿色钥匙, 当发生以上任何一种情况时, 请使用黄色钥匙轻轻向右转, 绿色钥匙便失效, 当黄色钥匙不幸又发生以上任何一种情况时, 请使用红色钥匙轻轻向右转, 绿、黄色钥匙失效。坚朗秘密锁, 独创个人随时完善保护隐私及财产安全的观念, 引领时尚。

To resolve above difficulty, Kinlong company introduces 2 in 1 and 3 in 1 combination lock, with keys in 3 colours:

Use order: Green key for first, yellow key is available when green one is lost, and at the same time, the green one will not work after turning right with the yellow one. Red one is available when both green and yellow key are lost, at the same time, both of them could not work after turning right with the red one. Safe and fashion choice.

ONE KEY IN YOUR HAND  
ONE KEY TO YOUR RELAXATION  
一匙在手 一身轻松

### 钥匙管理系统知识 Key management system knowledge

#### 管理锁说明

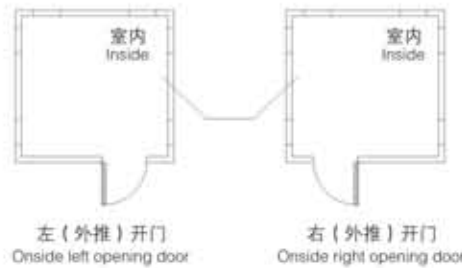
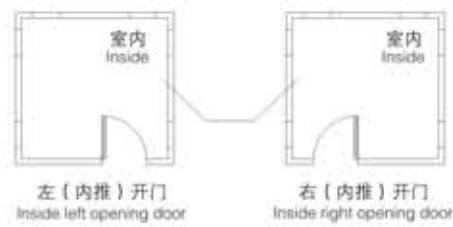
有门必有锁, 有锁必需携带一大串沉重的钥匙, 不烦恼吗? 开锁必需钥匙, 而在一大串钥匙中寻找门的钥匙, 方便吗? 坚朗公司为了替阁下解决以上的烦恼, 特别为您引进意大利 T.GIULIANI 全自动电脑制锁设备研发而成的, 坚朗管理锁是目前国内的领先产品。你只要拥有一套坚朗 Master Key 钥匙, 便可随心所欲开启您公司及居家的任何一个门, 既安全又方便。

#### Lock management instruction

KinLong lock management  
Professional design by Italy T.GIULIANI automatic device.  
Open any door freely for your company or family,  
Safe and convenient choice.

### 开门示意图

Opening demonstration illustration



#### 左右开门【以人在室外作为参考】

左(内推)开门: 人站在门的外面, 面对门, 门的合页在人的左边, 且往室内推才能开门。  
右(内推)开门: 人站在门的外面, 面对门, 门的合页在人的右边, 且往室内推才能开门。  
左(外拉)开门: 人站在门的外面, 面对门, 门的合页在人的左边, 且往室外拉才能开门。  
右(外拉)开门: 人站在门的外面, 面对门, 门的合页在人的右边, 且往室外拉才能开门。

#### Left/right 2 handed door 【people stand outdoors as reference】

Left-handed door (push insides): People stand outside facing the door, the pivot hinge is in the left and the door can be open only pushed insides.  
Right-handed door (push insides): People stand outside facing the door, the pivot hinge is in the right and the door can be open only pushed insides.  
Left-handed door (pull outsides): People stand outside facing the door, the pivot hinge is in the left and the door can be open only pulled outsides.  
Right-handed door (pull outsides): People stand outside facing the door, the pivot hinge is in the right and the door can be open only pulled outsides.

### 酒店锁配件表

Hotel lock accessories form

门锁 (lock Model NO.)	卡代号 (Card Code)	读写器 (Read/Write Device)	节电开关 (Power-Saving Switch)	数据采集器 (Data Collector)	备注 (Remark)
GYS100, 400, 1500	GYK-200	DXQ-8	QDK-11/QDK-12 QDK-15/QDK-16	SJC-2	标准配置T5557卡 (Standard configuration T5557 Card)
GYS100, 400, 1500(一卡通)	GYK-400	DXQ-8M1	QDK-13/QDK-14 QDK-17/QDK-18	SJC-2	一卡通系统M1卡 (Used for multi-approach system M1 card)
GYS900, 1200	GYK-300P	DXQ-1P (RF57卡USB系统)	QDK-11/QDK-12 QDK-15/QDK-16	SJC-1P (RF57卡USB系统)	标准配置T5557卡 (Standard configuration T5557 Card)
GYS900, 1200(一卡通)	GYK-500P	DXQ-1P (M1卡USB系统)	QDK-13/QDK-14 QDK-17/QDK-18	—	一卡通系统M1卡 (Used for multi-approach system M1 card)

### 合页安装示意及承重

Hinge Installation Illustration and Bearing

#### 合页安装示意图

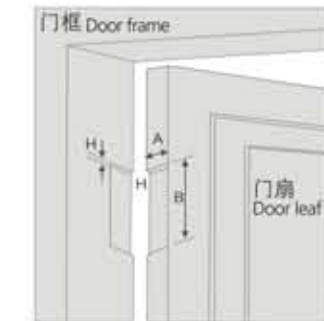
Hinge installation illustration



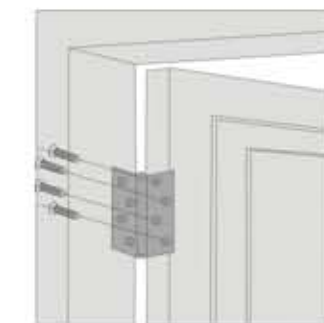
按合页厚度挖槽, H=合页厚度  
Digging is based on the hinge thickness.  
H=the hinge thickness.



将合页装在挖槽处  
Put the hinge at the digging place



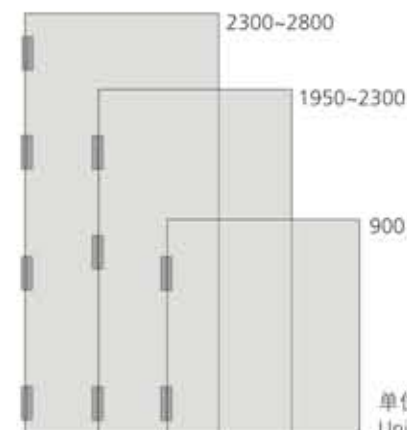
A=合页宽, B=合页长, H=合页厚度  
A=hinge, B=hinge length, H=hinge thickness.



合页安装螺丝  
Fixing screw for hinge

#### 门高度与合页安装数

Different hinge quantities matching with door height



单位: mm  
Unit: mm

#### 不锈钢合页承重参考表

The refer to table of bearing weight of stainless steel hinge

合页厚度 Hinge thickness	承重 Bearing load
H=2.0mm	20-30kg
H=2.5mm	30-40kg
H=3.0mm	40-60kg
H=3.5mm	60-80kg
H=4.0mm	80-120kg

以一扇门安装三只合页为准  
Based on one door for three hinges



中国平安  
财产保险承担产品  
保险责任  
Chinese safety and future insurance  
company takes responsibility for  
products quality



ISO  
质量体系认证  
ISO quality system certification



生产登记批准书  
Production register  
approval certification



智能锁CE认证  
Smartlock CE certification



型检报告  
Report of police examine



防盗认证  
Anti-bandi certification



# 部分典型工程案例

Some Typical Case



1	2
3	4
5	6
7	8
9	

- 1 华强广场酒店 Huaqiang plaza hote
- 2 首发大厦 First building
- 3 凯瑞宾馆 Kairui hotel
- 4 曼哈顿广场 Manhadun square
- 5 中海紫御公馆 Zhonghai ziyu mansionl
- 6 信达东湾半岛 Sinda east bay peninsula
- 7 全程达物流 Quanchenda logistics
- 8 亚太国际·公馆 Asia-pacific international mansion
- 9 中国银行 China bank



1	2	3
4	5	6
7		

- 1 渤龙山庄 Bolong lakeview resort
- 2 隆祺花园酒店 Longqi garden hotel
- 3 凯丽大酒店 Kelly hotel
- 4 长岛宾馆 Long island hotel
- 5 河北翠屏山迎宾馆 Hebei cuiplingshan guest house
- 6 白朗峰 Mont blanc
- 7 永泰君悦酒店 Yongtai hyatt hotel
- 8 耀明宾馆 Yaoming hotel



深圳南方科技大学  
South University of Science and Technology of China

深圳机场航站区扩建工程  
The Extension Project of Terminal Area in Shenzhen Airport

深圳市连城国际花园  
Shenzhen Liancheng International Garden

深圳市海尚湾畔  
Shenzhen Haishang Bay Bank

深圳市小东海  
Shenzhen Little East Sea

深圳大运村  
The Universiade Village in Shenzhen

深圳廊坊万达广场  
Shenzhen Langfang Wanda Plaza

广州亚运城运动员村  
Asian Games village in Asian city of Guangzhou

广东清远桃园天下  
Guangzhou Qingyuan Taoyuantianxia

广东惠州大亚湾阳光圣菲  
Guangdong Huizhou Dayawan Sunshine Santa Fe

广东珠海澳门银河渡假村  
Guangdong Zhuhai Macao Galaxy Holiday Villa

广东揭阳潮汕机场  
Guangdong Jieyang Chaoshan Airport

广东惠州大亚湾曦城  
Guangdong Huizhou Dayawan Sunlight City

广东中山市时代广场  
Guangdong Zhongshan Time Square

东莞世纪城国际公馆  
Dongguan Century City-International Mansion

东莞世纪城玫瑰公馆  
Dongguan Century City-Rose Mansion

北京红树湾  
Beijing Red Tree Bay

北京昌平苹果主题公园  
Beijing Changping Apple Theme Park

北京中海紫御公馆  
Beijing Zhonghai Ziyu Mansion

北京粟海酒店  
Beijing Lihai Hotel

北京当代万农村  
Beijing Contemporary Wanwan Village

北京国棉  
Beijing Guomian

北京天海大厦酒店  
Beijing Tianhai Building Hotel

北京君安国际  
Beijing Junan International Business Center

北京市蔚蓝海岸花园  
Beijing Deep Blue Sea Bank Garden

北京奥林匹克公园瞭望塔  
Beijing Olympic Park Sightseeing Tower

上海滩·大宁城  
Shanghai Bund-Danling City

上海万顺水源墅  
Shanghai Wanshun Spring Villa

上海中大九里德  
Shanghai Zhongda Jiulide

上海长城大厦  
Shanghai Great Wall Building

上海市名人府邸  
Shanghai Celebrity Mansion

上海市恒盛鼎城  
Shanghai Hengshengding City

南京恒大金碧天下  
Nanjing Evergrande Splendor

南京恒大绿洲  
Nanjing Evergrande Oasis

南京万达广场  
Nanjing Wanda Square

南宁华润中心  
Nanning China Resources Center

天津富力十号地  
Tianjin R&F Tenth Building

天津富士康蓝白领公寓  
Tianjin Foxconn Blue-and-White Collar Apartment

天津·恒大名都  
Tianjin Evergrande City

天津富力津门湖云舒花园  
R&F Lake-Cloud Embracing Garden

天津江湾广场  
Tianjin Riverside Square / Tianjin Jiangwan Square

天津津门湖江湾广场  
River-Lake Bay Square of Jinmen, Tianjin

天津津门湖鸣泉花园  
River-Spring Garden of Jinmen, Tianjin

天津渤龙湖酒店  
Tianjin Bolong Lake Hotel

天津富士康公寓  
Tianjin Foxconn Apartment

天津泰达广场  
Tianjin Teda Square

天津君临天下  
Tian Harbourside

天津·恒大绿洲  
Tianjin Hengda Oasis

新疆库勒园林宾馆  
Xinjiang Korla Garden Hotel

包头地矿大厦  
Baotou Geological Building / Baotou DiKuang Building

内蒙古高鸿逸花园  
Inner Mongolia Gaohonglu Garden

内蒙古包头教育厅办公楼  
Baotou Education Department Building, Inner Mongolia

沈阳欢乐海岸  
Shenyang Happy Coast

沈阳北约客商业广场  
Shenyang North York Business Plaza

沈阳大悦城  
Shenyang Joy City

沈阳珠江新城  
Shenyang Zhujiang New City

沈阳欢乐海岸  
Shenyang Happy Coast

大连万达公馆  
Dalian Wanda Mansion

大连软件园  
Dalian Software Park

大连小平岛  
Dalian Xiaoping Island

大连中体奥林匹克花园  
Dalian Zhongti Olympic Garden

辽宁大连华润凯旋  
China Resources Triumph in Dalian

辽宁鞍山假日小学  
Anshan Holiday School

浙江海宁景华星座酒店  
Zhejiang Hainingjinghua Constellation Hotel

浙江泉州万达广场  
Quanzhou Wenda Plaza (Zhejiang)

浙江衢州融金广场  
Quzhou Rongjin Plaza (Zhejiang)

浙江天泰大酒店  
Zhejiang Tiantai Hotel

温州洞头邮政银行  
Tongtou Postal Bank in Wenzhou

江苏启东环球大厦  
Jiangsu Qidong Global Building

江苏江阴金色水岸  
Jiangyin Golden Water Coast, Jiangsu

江苏省倚林佳园  
Jiangsu Yilinjiayuan

江苏大丰半岛假日酒店  
Jiangsu Dafeng Peninsula Holiday Hotel

江苏无锡市君城豪庭  
Wuxi Junyu Villa, Jiangsu

福建省漳州市万达广场  
Zhangzhou Wanda Square

福建福州名峰山庄  
Fuzhou Peak Villa, Fujian

福建闽中大酒店  
Fujian Minzhong Hotel

福州世茂  
Fuzhou Shimao

福建锦艺·国际华都  
Fujian Jinyi, Sino-international

海南儋州·恒大名都  
Zhanzhou Evergrande City

海南华泰孙武湖度假村  
Huatai Sunwu Lake Holiday Resort, Hainan

海南清水湾雅居乐  
Qingshui Bay & Happy Housing, Hainan

湖南湘潭晶都华天酒店  
Xiangtan Jingduhuatian Hotel, Hunan

湖南长沙职业技术学院  
Changsha Technical College, Hunan

湖南长沙三德科技工业园  
Changsha Sande Science and Technology Industrial Area, Hunan

湖南长沙颐和家园  
Changsha Yihe Housing, Hunan

湖南长沙万国城  
Changsha Wenguo City, Hunan

西安紫汀苑  
Xian Ziting Garden

西安富力城  
Xian Fuli City

西安园博会  
Xian World Horticultural Exposition

西安世园精品酒店  
Xian World Horticultural Exposition Boutique Hotel

兰州西北师大  
Lanzhou Normal University

江西景德镇·恒大名都  
Jingdezhen Evergrande City

南昌恒大绿洲  
Nanchang Evergrande Oasis

江西滨江首府  
Jiangxi Riverside Metropolis

山西大同亚太国际公馆  
Shanxi Datong Asian-pacific International Mansion

石家庄·恒大名都  
Shijiazhuang Evergrande City

石家庄·恒大御景半岛  
Shijiazhuang Evergrande Scenic Peninsula

石家庄恒大绿洲  
Shijiazhuang Evergrande Oasis

石家庄恒大雅苑  
Shijiazhuang Evergrande Atrium

石家庄翠屏山迎宾馆  
Shijiazhuang Cuipingshan Guesthouse

太原现代广场  
Taiyuan Modern Square

太原万锦城  
Taiyuan Multination City

河北唐山乡居假日别墅  
Hebei Tangshan Villeggiatura Holiday Villa

河北石家庄万达广场  
Hebei Shijiazhuang Wanda Square

宁德市会展中心酒店  
Ningde Exhibition Center Hotel

重庆富士康科技园  
Chongqing Foxconn Techno park

重庆市绿地新都会  
Chongqing Greenland Metropolitan

山东世纪花园  
Shandong Century Garden

山东德州市中建华府  
Shandong Dezhou CSCEC Mansion

山东德州市沙河新天地商业区  
Shandong Dezhou Shahe New Field Business Zone

四川益州锦蓉苑  
Sichuan Yizhou Jirong Mansion

雅戈尔太阳城二期泊朗峰  
The Second Phase Mont Blanc of Youngor Sun City

印度大使馆  
India Embassy

博茨瓦纳商务区办公大楼  
Botswana CBD Administrative Building

勒泰中心  
Letai Center

林肯公馆  
Lincoln Mansion

菲律宾ARLO  
Philippines ARLO

约旦机场  
Jordan Airport

·

·

·

·



## ITALIAN DESIGNER STYLE 意大利设计师

### Matteo Paolini 马泰奥·鲍里尼

意大利卡美利诺大学建筑工业学院工业设计专业，欧洲注册内装设计师，专业从事产品设计策划工作。

Major of Industrial Products Design One designer graduated from Architecture Institute of Camerino University, Italy. European registered Interior Decoration Designer who is devoted on products design and plan.



### Roberto Volpe 罗伯托·沃尔普

意大利阿斯科利皮切洛UNICAM大学工业和环境工程设计学士、产品设计硕士，从事产品外观设计工作。

One designer graduated from UNCIAM University, Ascoli Piceno, Italy, who has got the bachelor's degree of Industrial and Environmental Engineering and master's degree of products design, especially devoting on item appearance design.

设计和制造就是一种创意，创意也是文化中相当重要的组成部分，它会随着一种文化的优势而跨越地域和历史的界限。

意大利风格是古希腊罗马传统的一部分，它发展成为对人的尊严和对科学价值的觉醒。由于达芬奇、拉斐尔等著名艺术家的出现，意大利在欧洲大出风头。这一时期，意大利的设计开始强调“世俗性”，即在历史和文化的因素外，意大利文化的很大一部分是其实用性。到了1500年的时候，意大利的住宅和商品让整个欧洲都为之羡慕。即使在当今这个多元化的世界里，每年定期在米兰举办的时装展、家具展、艺术展依然代表了世界最高水平。

意大利不但拥有正宗的欧洲古典风格，同时也是现代设计最具活力的地方，意大利著名作家和艺术评论家乌贝托·艾科在谈到意大利设计时说：“如果说别的国家有一种设计理论，意大利则有一套设计哲学，或许是一套设计思想体系。”

The design and manufacture is a kind of creative, creativity is also a very important part of culture; It becomes a kind of cultural superiority and across geographical and historical boundaries. Italian style is a part of ancient Greek and Roman tradition, which developed into a right of human dignity and the awakening of scientific interest. As Leonardo da Vinci, Raphael and other famous artists, the emergence of Italy in Europe, steal the show. During this period, the Italian design began to stress "secular," meaning that the historical and cultural factors, a large part of Italian culture are its practicality. By 1500, Italy's residential and commodity whom the envy of the entire Europe. Even in today's pluralistic World, held annually in Milan fashion shows, Furniture, art exhibitions are still represents the world's highest level. Italy not only has authentic European classical style, but also the most dynamic areas of modern design, the famous Italian writer and art critic Umberto Eco speaking Italian design, said: "If other countries have a design theory, Italy, there is a system design philosophy, perhaps a set of design ideology."



坚朗 KIN LONG

PRODUCT WORLD

坚朗产品世界

CONSTRUCTION HARDWARE EXPERT

Point-fixed Glass Wall Fitting  
点支式玻璃幕墙配件



S.S Tension Cable&Tension Rod  
不锈钢拉杆拉索系列



Ast-in Channel Accessory  
槽式预埋件系列



S.S Post Railing System  
不锈钢护栏系列



Micro S.S Cable System  
微型不锈钢索系列



Door Control Hardware Fitting  
门控五金配件



Bathroom Hardware Accessory  
卫浴五金配件系列



Mechanical lock Series  
机械门锁系列



Smart Door Lock  
智能门锁系列



Aluminum Door&Window Accessory  
铝门窗五金配件系列



U Groove Door&Window Accessory  
U槽五金配件系列



Friction Stayand Pegstay Series  
滑撑、风撑系列



All rights reserved

• 版权由坚朗公司所有，严禁翻版和复印。

• 本产品已申请中国专利，严禁仿制，违者负法律责任。

2013年1月印刷

[Http://www.kinlong.com](http://www.kinlong.com)

广东坚朗五金制品股份有限公司

GUANGDONG KINLONG HARDWARE PRODUCTS CO.,LTD

地址 (ADD): 中国广东省东莞市塘厦镇大坪工业区  
Daping Industrial Zone, Tangxia Town,  
DongGuan City, GuangDong Province, China

电话 (Tel): 0769-86851116 0769-86851118

传真 (Fax): 0769-87943188 0769-87947913

E-mail: [mail@kinlong.com](mailto:mail@kinlong.com)



FM78418



**坚朗®**

中国驰名商标

**大华北销售区**

电话: 010-51265266 传真: 010-61506216

E-mail: [bj@kinlong.com](mailto:bj@kinlong.com)

**大东北销售区**

电话: 024-24323726 传真: 024-24338787

E-mail: [sy@kinlong.com](mailto:sy@kinlong.com)

**大华中销售区**

电话: 029-86518834 传真: 029-86518841

E-mail: [xa@kinlong.com](mailto:xa@kinlong.com)

**大西北销售区**

电话: 0471-6560906 传真: 0471-6560906

E-mail: [hhht@kinlong.com](mailto:hhht@kinlong.com)

**大华东销售区**

电话: 021-67639698 传真: 021-67639697

E-mail: [sh@kinlong.com](mailto:sh@kinlong.com)

**大苏皖销售区**

电话: 0512-62584700 传真: 0512-67502117

E-mail: [suzhou@kinlong.com](mailto:suzhou@kinlong.com)

**大浙赣销售区**

电话: 0571-86806535 传真: 0571-86806536

E-mail: [hz@kinlong.com](mailto:hz@kinlong.com)

**大西南销售区**

电话: 028-87317578 传真: 028-87326578

E-mail: [chengdu@kinlong.com](mailto:chengdu@kinlong.com)

**大南方销售区**

电话: 020-82082049 传真: 020-82082045

E-mail: [gz@kinlong.com](mailto:gz@kinlong.com)