

ELECTROHEADS

五轴头系列

www.olispeed.com

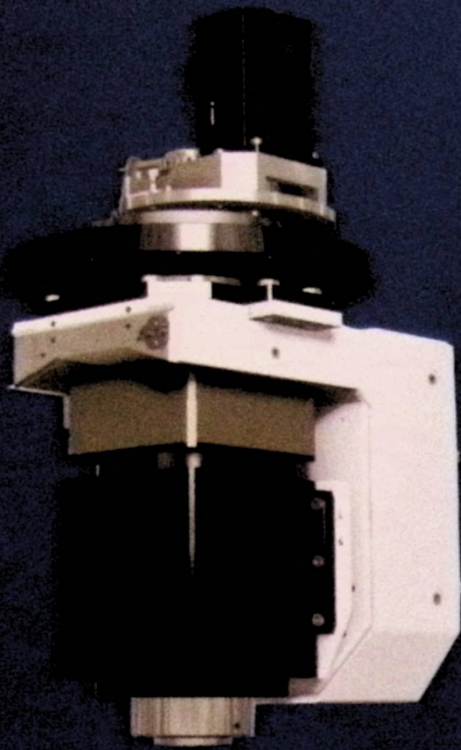


WHEN YOU NEED IT,
WHERE YOU NEED IT.

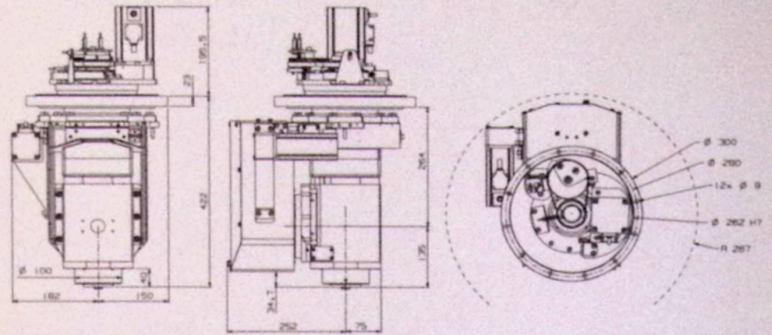
WOLONG
Power your future

WL_ID_202202_VER1.0

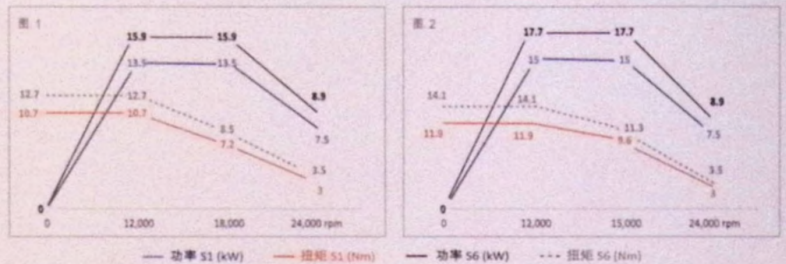
HAS420/单肩



安装尺寸 Installation Dimension



工作状态 Duty Type

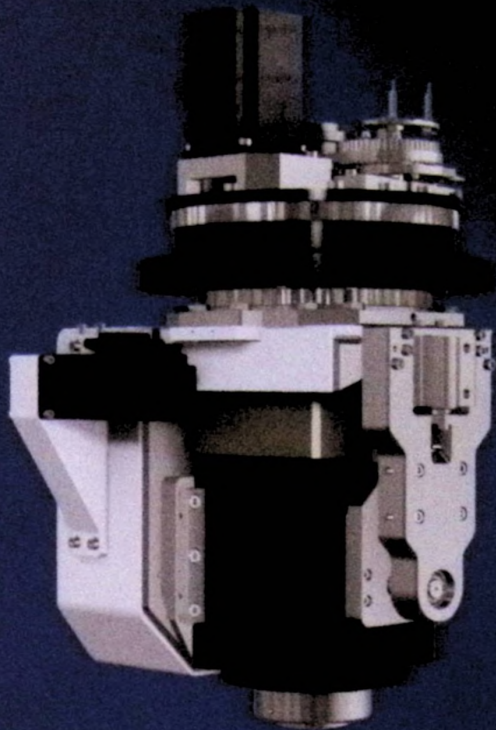


主要特点 Main Features

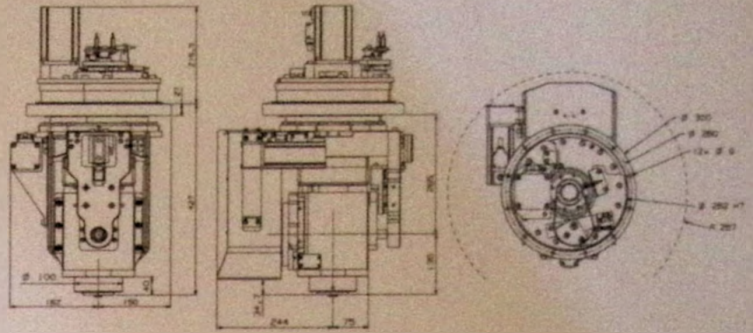
电主轴型号 Electrospindle Type	SAB150(短鼻 Short Nose)	
刀柄 Tool Holder	HSK F63	
扭矩S1/S6 Torque S1/S6	Nm	图1(10.7/12.7); 图2(11.9/14.1);
功率S1/额定转速 Power/Rated Speed	kW/rpm	图1(13.5/12000); 图2(15/12000);
A轴 A Shaft		
旋转范围 Rotation range	*	+110 -90
额定扭矩 Rated Torque	Nm	320
最大扭矩 Max. Torque	Nm	600
伺服电机功率 ¹ Servo Motor Power ¹	W	400
伺服电机额定-最大转速 Servo Motor Rated/Max. Speed	rpm	3000 5000
限位开关传感器类型/N° Limit Switch Sensor Type/N°		PNP-NC 2
减速器类型/尺寸 Reducer Type/Dimension		谐波传动40 Harmonic Drive 40
减速比 Reduction Ratio		1/363
锁紧装置/类型 Locking Device/Type		
A轴编码器 A-shaft Encoder		
C轴 B Shaft		
旋转范围 Rotation range	*	+365 -365
额定扭矩 Rated Torque	Nm	320
最大扭矩 Max. Torque	Nm	600
伺服电机功率 ³ Servo Motor Power ³	W	800
伺服电机额定-最大转速 Servo Motor Rated/Max. Speed	rpm	3000 5000
限位开关传感器类型/N° Limit Switch Sensor Type/N°		PNP-NC 2
减速器类型/尺寸 Reducer Type/Dimension		谐波传动40 Harmonic Drive 40
减速比 Reduction Ratio		1/363
锁紧装置/类型 Locking Device/Type		
C轴编码器 C-shaft Encoder		
重量 Weight	kg	85
可选项 Optional Device		

五轴头 ELECTROHEADS

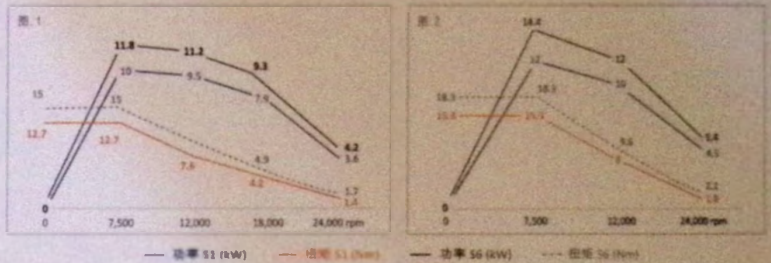
HAS421/单肩



安装尺寸 Installation Dimension



工作状态 Duty Type

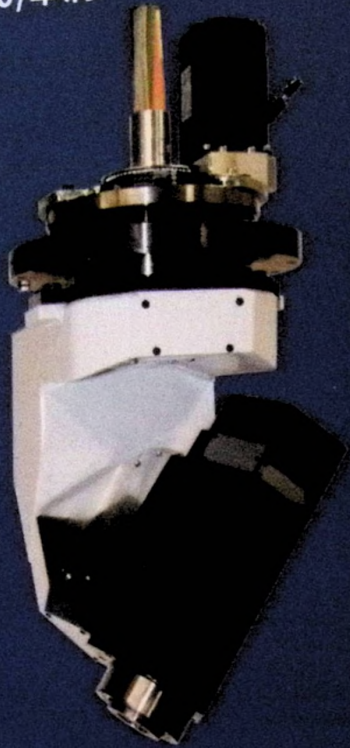


主要特点 Main Features

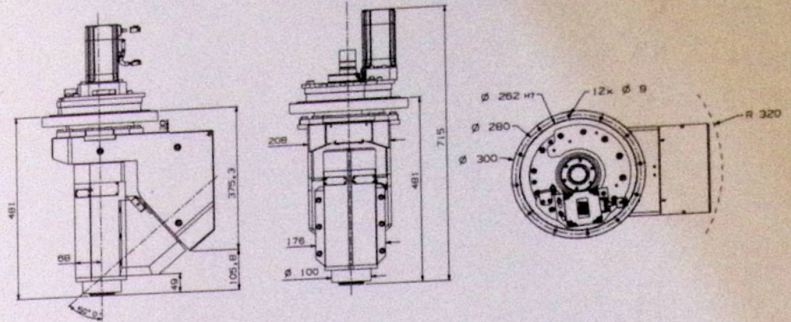
电主轴型号 Electrospindle Type		SAB150(短/长鼻) Short/Long Nose	
刀柄 Tool Holder		HSK F63	
扭矩S1/S6 Torque S1/S6	Nm	图1(12.7/15); 图2(15.3/18.3);	
功率S1/额定转速 Power/Rated Speed	kW/rpm	图1(10/7500); 图2(12/7500);	
A轴 A Shaft			
旋转范围 Rotation range	°	+110	-90
额定扭矩 Rated Torque	Nm	320	
最大扭矩 Max. Torque	Nm	600	
伺服电机功率 ² Servo Motor Power ²	W	400	
伺服电机额定-最大转速 Servo Motor Rated/Max. Speed	rpm	3000	5000
限位开关传感器类型/N° Limit Switch Sensor Type/N°		PNP-NC	2
减速器类型/尺寸 Reducer Type/Dimension		谐波传动40 Harmonic Drive 40	
减速比 Reduction Ratio		1/363	
锁紧装置/类型 Locking Device/Type		可用 Optional/垂直 Vertical	
A轴编码器 A-shaft Encoder			
C轴B Shaft			
旋转范围 Rotation range	°	+365	-365
额定扭矩 Rated Torque	Nm	700	
最大扭矩 Max. Torque	Nm	800	
伺服电机功率 ³ Servo Motor Power ³	W	800	
伺服电机额定-最大转速 Servo Motor Rated/Max. Speed	rpm	3000	5000
限位开关传感器类型/N° Limit Switch Sensor Type/N°		PNP-NC	2
减速器类型/尺寸 Reducer Type/Dimension		谐波传动58 Harmonic Drive 58	
减速比 Reduction Ratio		1/363	
锁紧装置/类型 Locking Device/Type			
C轴编码器 C-shaft Encoder			
重量 Weight	kg	95	
可选项 Optional Device			

五轴头 ELECTROHEADS

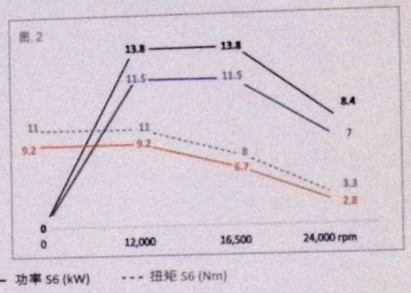
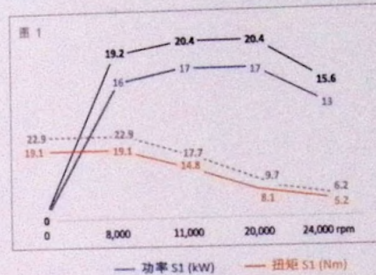
HFS490/单肩



安装尺寸 Installation Dimension



工作状态 Duty Type



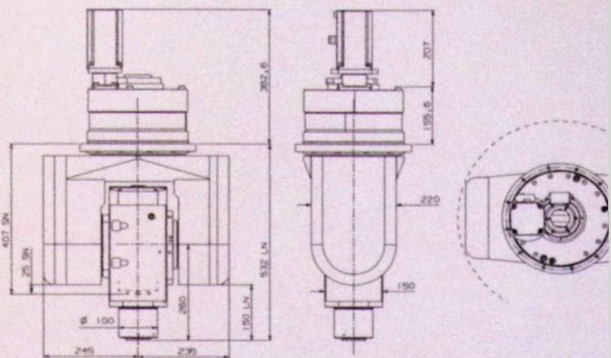
主要特点 Main Features

		SAB132(短鼻 Short Nose)	
		HSK F63	
		图1(19.1/22.9);	图2(9.2/11);
		图1(16/8000);	图2(11.5/12000);
电主轴型号 Electrospindle Type			
刀柄 Tool Holder			
扭矩S1/S6 Torque S1/S6	Nm		
功率S1/额定转速 Power/Rated Speed	kW/rpm		
A轴 A Shaft			
旋转范围 Rotation range	°	+110	-110
额定扭矩 Rated Torque	Nm		320
最大扭矩 Max. Torque	Nm		600
伺服电机功率 ² Servo Motor Power ²	W		400
伺服电机额定-最大转速 Servo Motor Rated/Max. Speed	rpm	3000	5000
限位开关传感器类型/N° Limit Switch Sensor Type/N°		PNP-NC	2
减速器类型/尺寸 Reducer Type/Dimension		谐波传动40 Harmonic Drive 40	
减速比 Reduction Ratio		1/363	
锁紧装置/类型 Locking Device/Type		气动 Pneumatic/全方位 All Types	
A轴编码器 A-shaft Encoder			
C轴B Shaft			
旋转范围 Rotation range	°	+365	-365
额定扭矩 Rated Torque	Nm		500
最大扭矩 Max. Torque	Nm		700
伺服电机功率 ³ Servo Motor Power ³	W		800
伺服电机额定-最大转速 Servo Motor Rated/Max. Speed	rpm	3000	5000
限位开关传感器类型/N° Limit Switch Sensor Type/N°		PNP-NC	2
减速器类型/尺寸 Reducer Type/Dimension		谐波传动50 Harmonic Drive 50	
减速比 Reduction Ratio		1/363	
锁紧装置/类型 Locking Device/Type		气动 Pneumatic/全方位 All Types	
C轴编码器 C-shaft Encoder			
重量 Weight	kg		85
可选项 Optional Device			

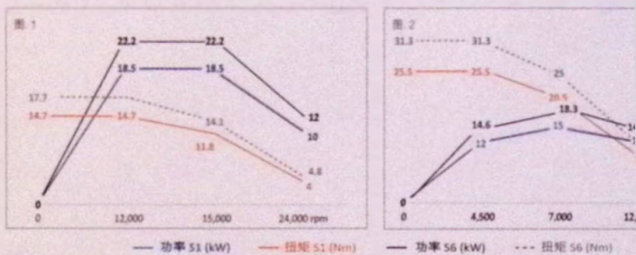
HDS490/双肩



安装尺寸 Installation Dimension



工作状态 Duty Type



主要特点 Main Features

电主轴型号 Electrospindle Type	SAB150(短/长鼻Short/Long Nos)	
刀柄 Tool Holder	HSK F63	
扭矩S1/S6 Torque S1/S6	Nm	图1(14.7/17.7); 图2(25.5/31.3)
功率S1/额定转速 Power/Rated Speed	kW/rpm	图1(18.5/12000); 图2(15/7000)
A轴 A Shaft		
旋转范围 Rotation range	°	+110 -110
额定扭矩 Rated Torque	Nm	320
最大扭矩 Max. Torque	Nm	600
伺服电机功率 ² Servo Motor Power ²	W	400
伺服电机额定-最大转速 Servo Motor Rated/Max. Speed	rpm	3000 5000
限位开关传感器类型/N° Limit Switch Sensor Type/N°		PNP-NC 2
减速器类型/尺寸 Reducer Type/Dimention		行星变速箱 Planetary Gearbox
减速比 Reduction Ratio		1/222
锁紧装置/类型 Locking Device/Type		是Yes/可选 Optional
A轴编码器 A-shaft Encoder		是Yes/可选 Optional
C轴B Shaft		
旋转范围 Rotation range	°	+365 -365
额定扭矩 Rated Torque	Nm	600
最大扭矩 Max. Torque	Nm	1800
伺服电机功率 ³ Servo Motor Power ³	W	800
伺服电机额定-最大转速 Servo Motor Rated/Max. Speed	rpm	3000 5000
限位开关传感器类型/N° Limit Switch Sensor Type/N°		PNP-NC 2
减速器类型/尺寸 Reducer Type/Dimention		行星变速箱 Planetary gearbox
减速比 Reduction Ratio		1/257.25
锁紧装置/类型 Locking Device/Type		是Yes/可选 Optional
C轴编码器 C-shaft Encoder		是Yes/可选 Optional
重量 Weight	kg	120
可选项 Optional Device		A. C轴带编码器A/C Shaft With Encoder A. C轴制动器A/C Shaft With Brakes 铝体铣头 Aluminum Body Milling Head

